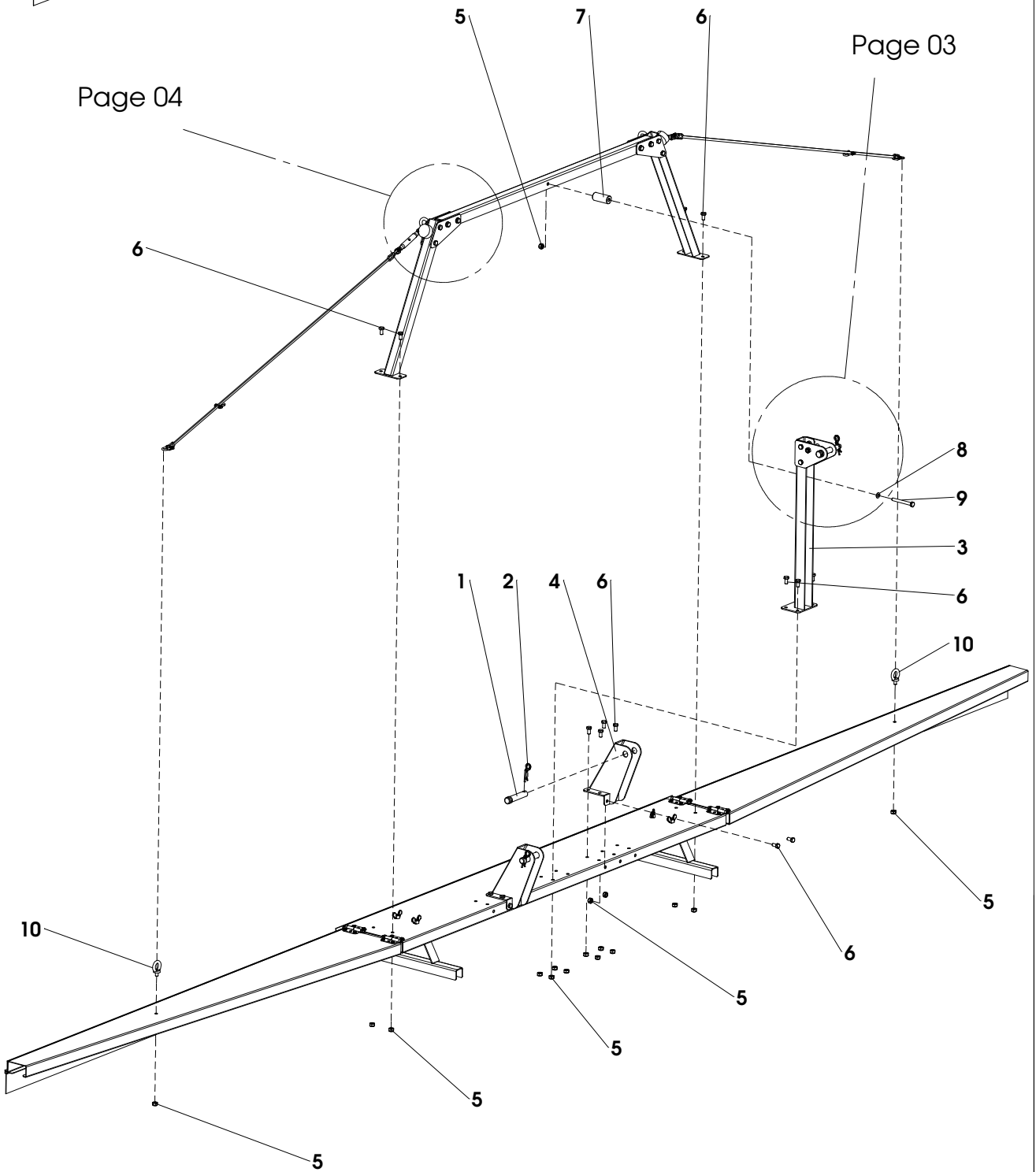
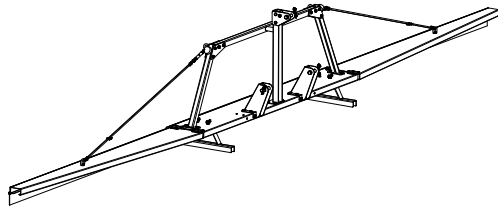
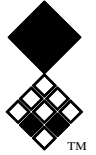


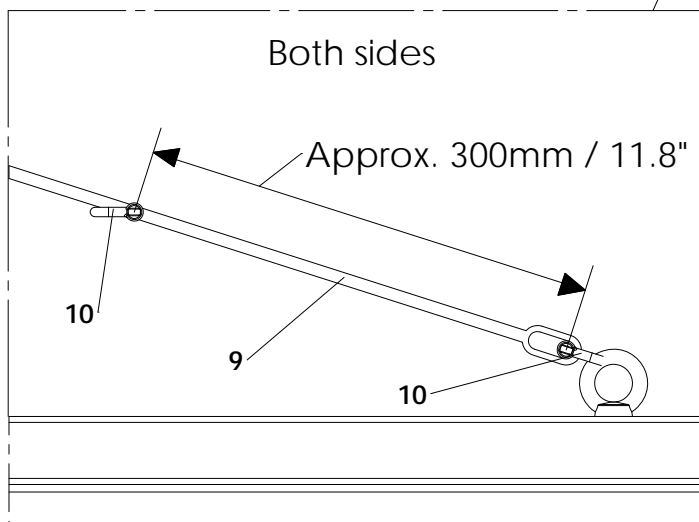
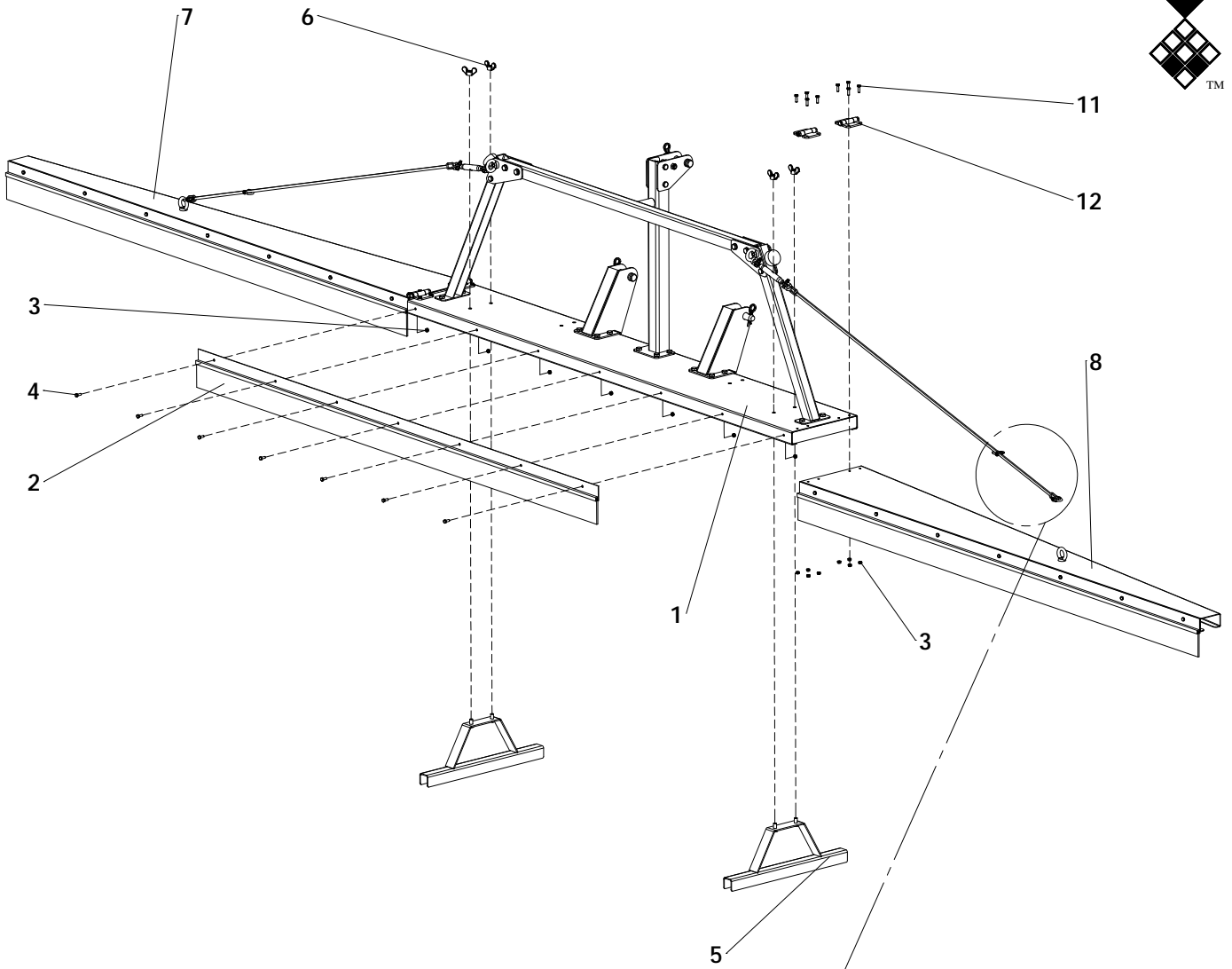
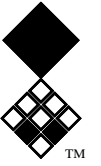
Parts manual



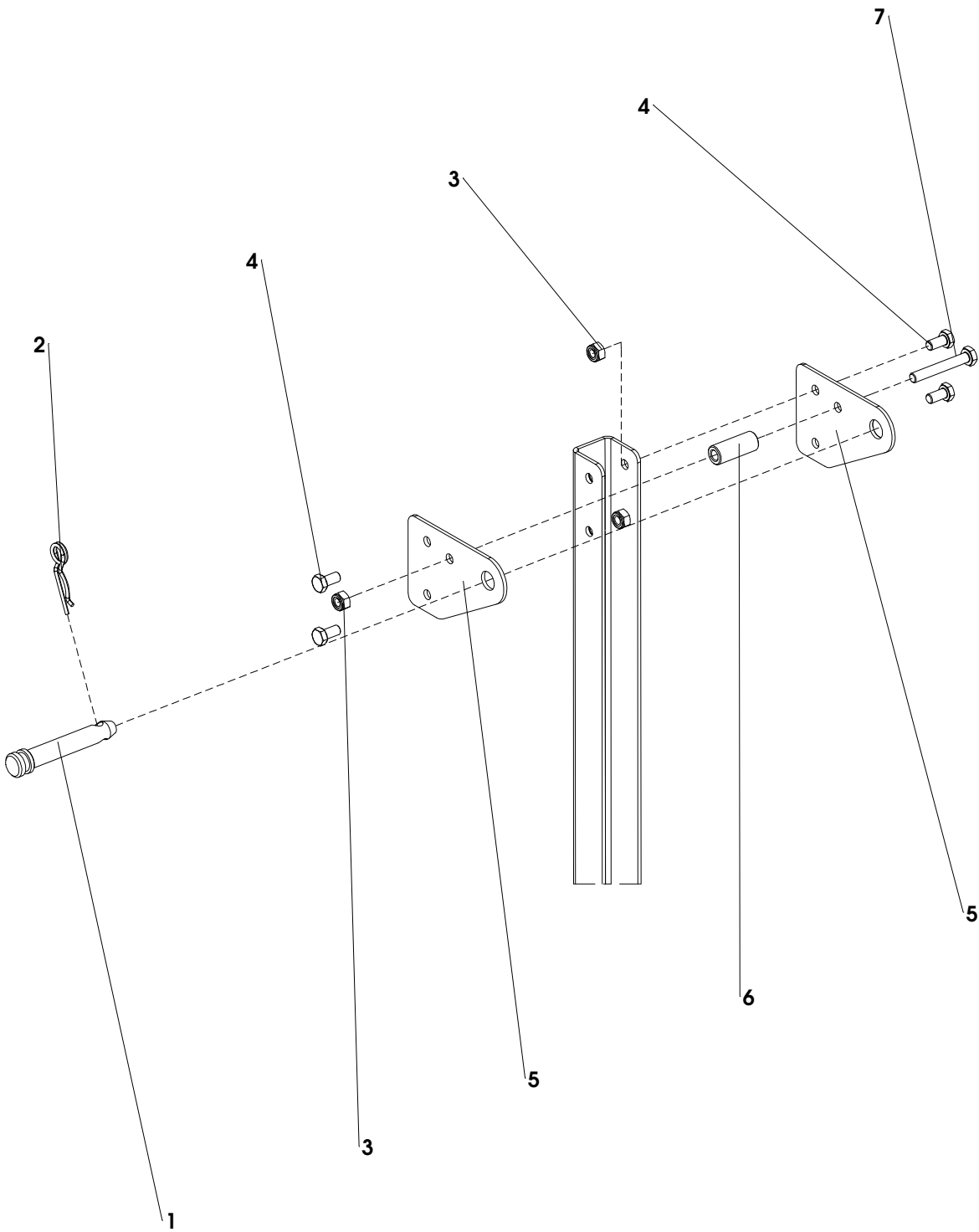


BOM Table(Restructured)

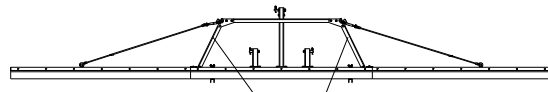
| ITEM | PART NUMBER | DESCRIPTION | REMARKS | QUA |
|------|-------------|--------------------------------|---------|-----|
| 1 | 521.221.120 | Pin for 3-point | | 2 |
| 2 | 523.030.750 | R-Clip Round 3, DIN 11024 | | 2 |
| 3 | 470.046.900 | 3-Point base | | 1 |
| 4 | 470.042.402 | 3-Point bracket | | 2 |
| 5 | 830.100.100 | Self Lock Nut M10 - ISO 10511 | | 23 |
| 6 | 804.100.200 | Bolt M10 x 20 - ISO 4017 | | 20 |
| 7 | 406.110.670 | Distance bush Ø30/Ø10.5 L=67 | | 1 |
| 8 | 864.100.030 | Washer M10 - ISO 7089 | | 1 |
| 9 | 802.100.900 | Bolt M10 x 90 - ISO 4014 | | 1 |
| 10 | 822.100.362 | Lifting Eye Bolt M10 - DIN 580 | | 2 |



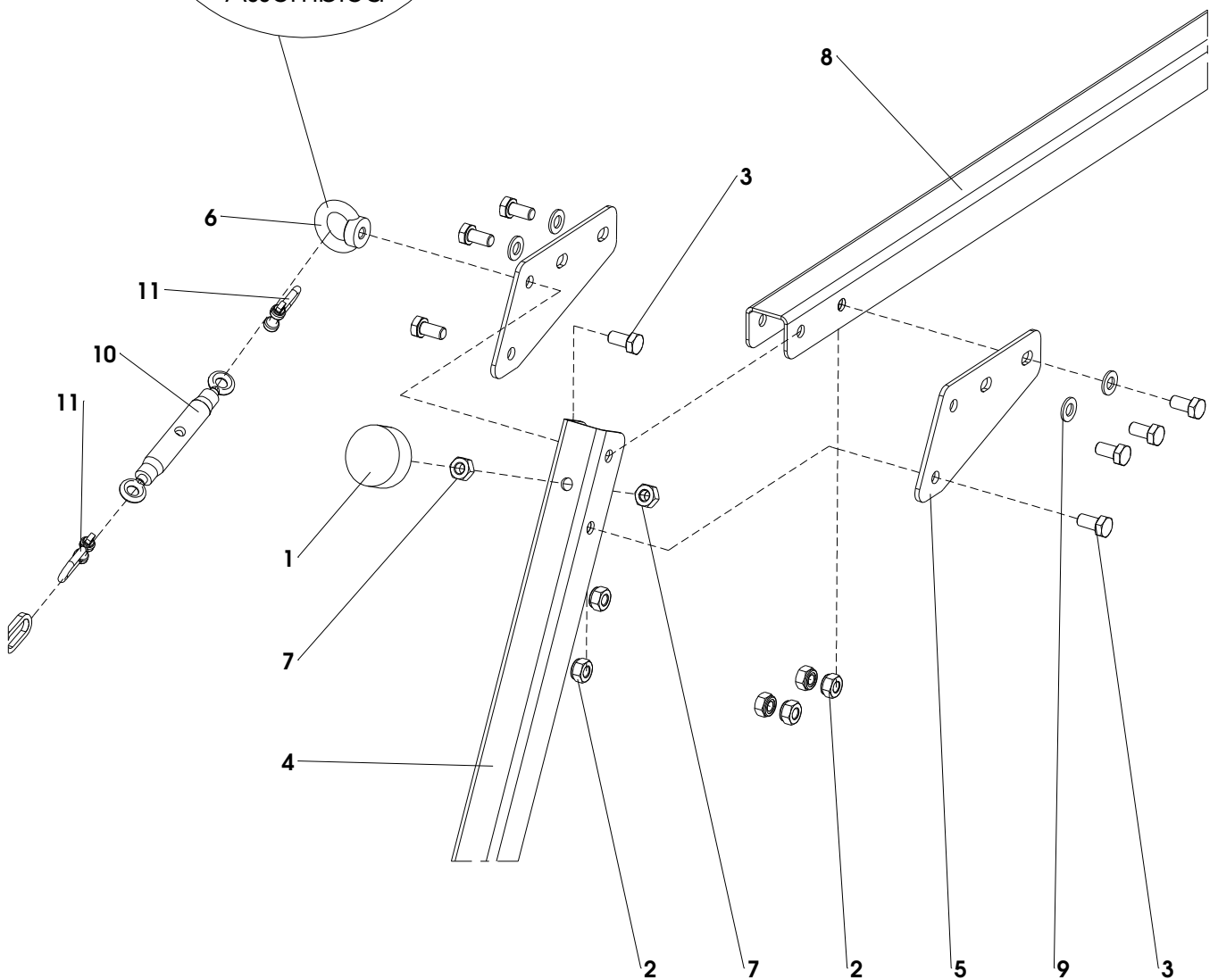
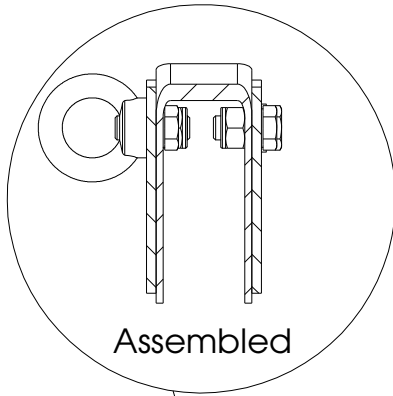
| ITEM | PART NUMBER | DESCRIPTION | REMARKS | QUA |
|------|-------------|---------------------------------|---------|-----|
| 1 | 470.029.190 | Center wing | | 1 |
| 2 | 486.082.020 | Brush with AH8 profile L=2020mm | | 3 |
| 3 | 830.060.060 | Self Lock Nut M6 - ISO 10511 | | 37 |
| 4 | 804.060.160 | Bolt M6 x 16 - ISO 4017 | | 21 |
| 5 | 470.035.000 | Stand support | | 2 |
| 6 | 844.100.104 | Wing Nut M10 DIN315 | | 4 |
| 7 | 470.029.204 | Left wing | | 1 |
| 8 | 470.029.206 | Right wing | | 1 |
| 9 | 846.059.130 | Chain 45x20 L=1330 (38 links) | | 2 |
| 10 | 846.060.241 | D-Shackle d=6mm | | 4 |
| 11 | 804.060.200 | Bolt M6 x 20 - ISO 4017 | | 16 |
| 12 | 899.100.634 | Hinge | | 4 |



| ITEM | PART NUMBER | DESCRIPTION | REMARKS | QUA |
|------|-------------|-------------------------------|---------|-----|
| 1 | 2490825 | Top Link Pin | | 1 |
| 2 | 523.030.750 | R-Clip Round 3, DIN 11024 | | 1 |
| 3 | 830.100.100 | Self Lock Nut M10 - ISO 10511 | | 5 |
| 4 | 804.100.200 | Bolt M10 x 20 - ISO 4017 | | 4 |
| 5 | 468.041.506 | 3-Point plate | | 2 |
| 6 | 406.110.500 | Distance bush Ø20/Ø10.5 L=50 | | 1 |
| 7 | 802.100.700 | Bolt M10 x 70 - ISO 4014 | | 1 |



Both sides are the same



| ITEM | PART NUMBER | DESCRIPTION | REMARKS | QUA |
|------|-------------|-------------------------------|---------|-----|
| 1 | D208112001 | Rubber stop | | 2 |
| 2 | 830.100.100 | Self Lock Nut M10 - ISO 10511 | | 14 |
| 3 | 804.100.200 | Bolt M10 x 20 - ISO 4017 | | 16 |
| 4 | 470.036.050 | U-channel bridge | | 2 |
| 5 | 468.041.840 | Corner plate | | 4 |
| 6 | 822.100.360 | Eye Nut M10 DIN 582 | | 2 |
| 7 | 826.100.100 | Nut M10 - DIN 934 | | 4 |
| 8 | 468.039.134 | Connection beam | | 1 |
| 9 | 864.100.030 | Washer M10 - ISO 7089 | | 8 |
| 10 | 524.081.790 | Spanner M8 DIN1478 L=179-264 | | 2 |
| 11 | 846.060.241 | D-Schackle d=6mm | | 4 |