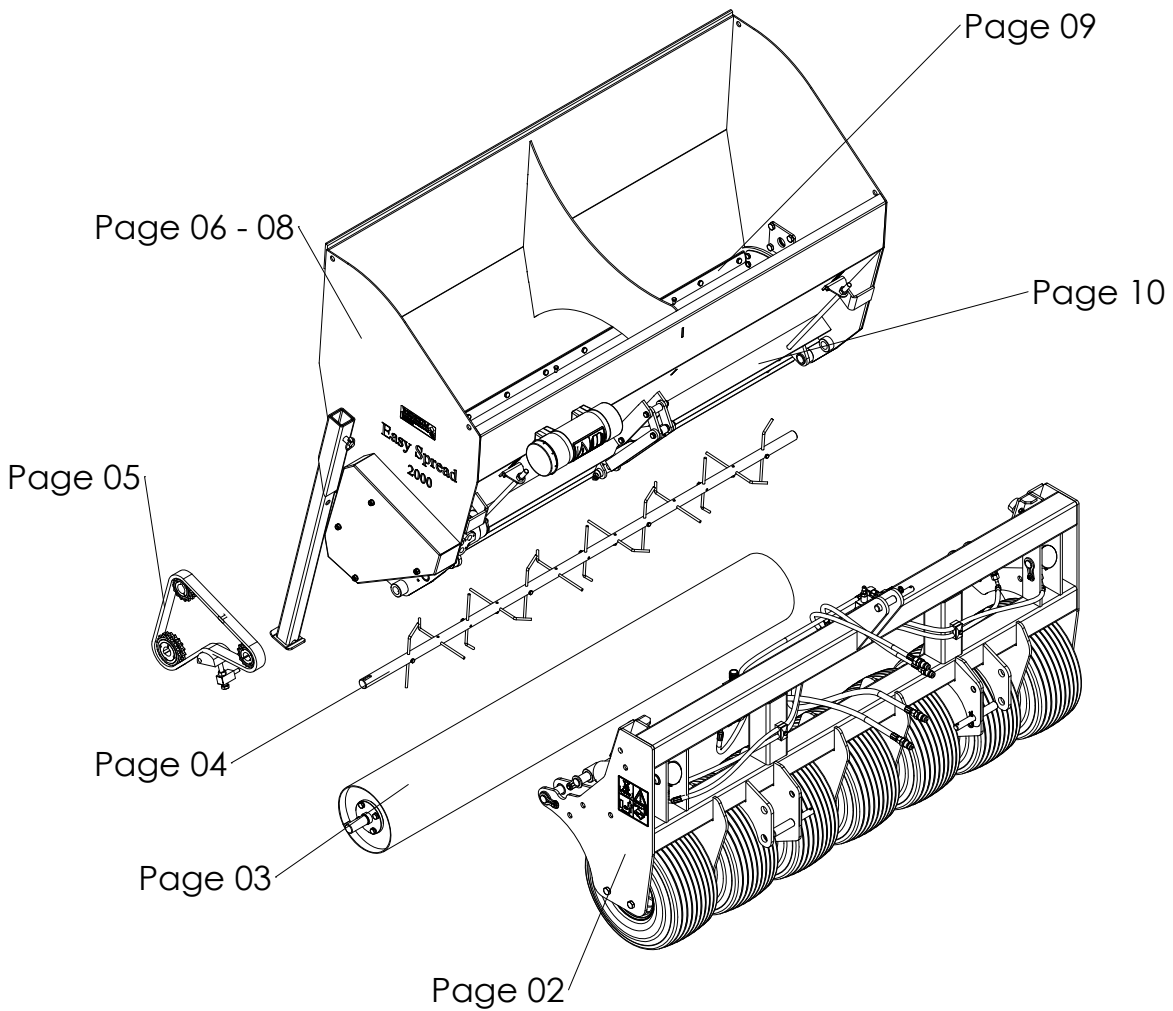
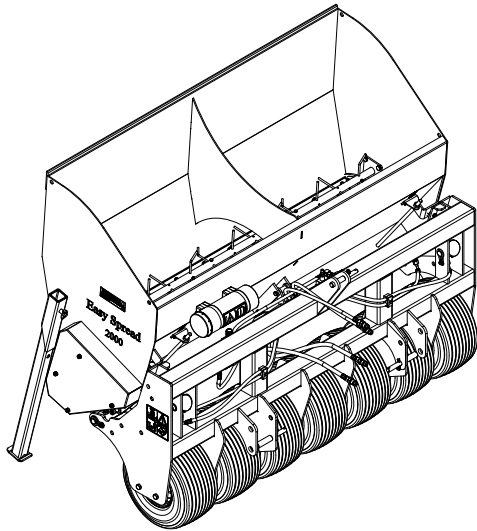


# Parts manual



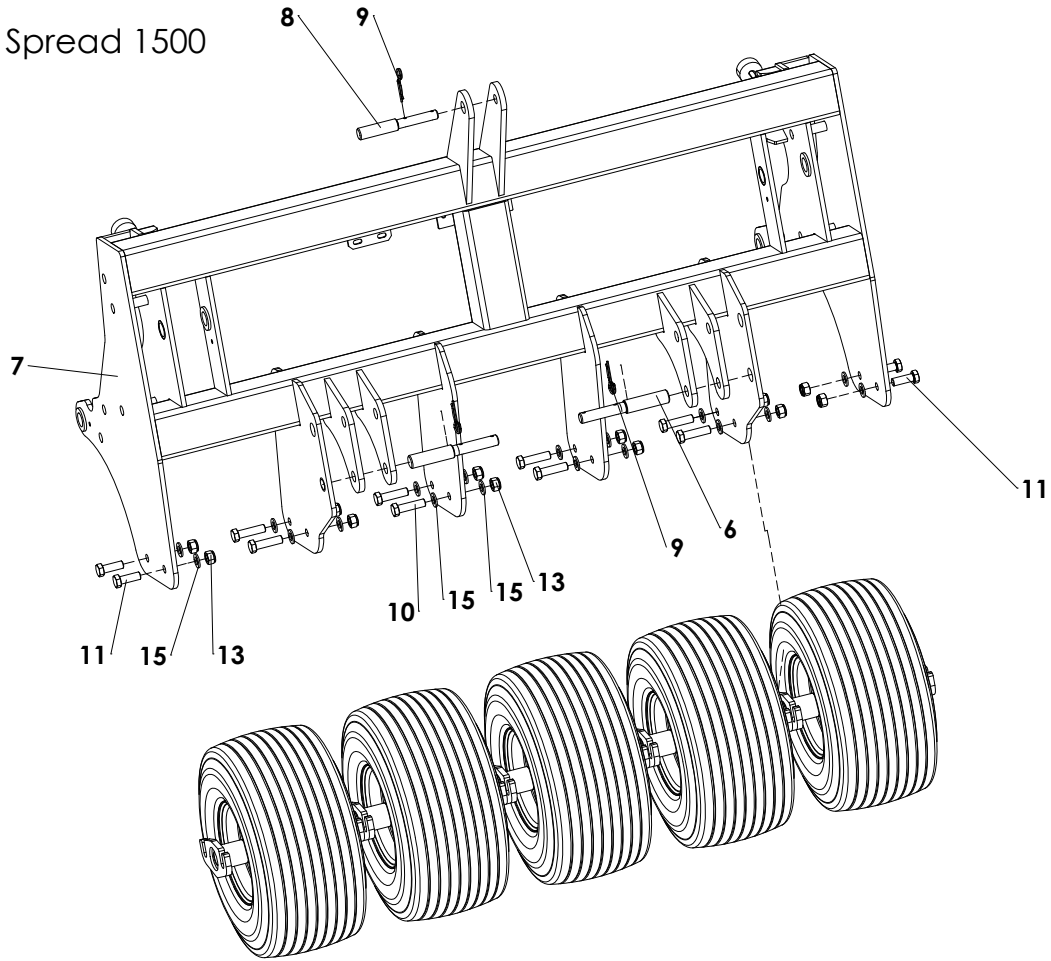




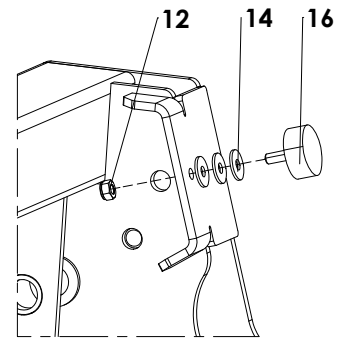
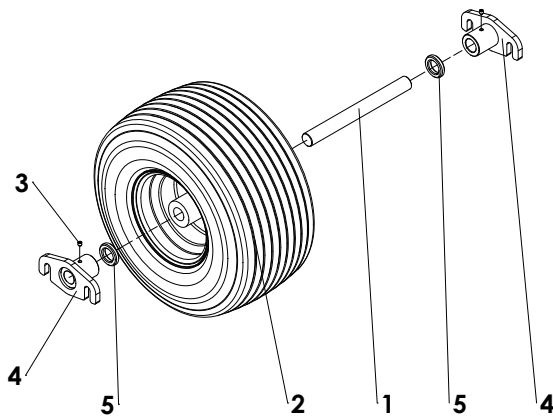
Decals Page 11  
Hydraulics Page 12 - 19



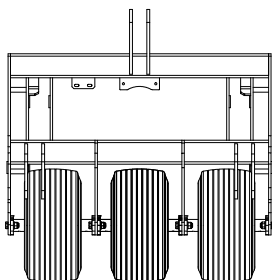
Easy Spread 1500



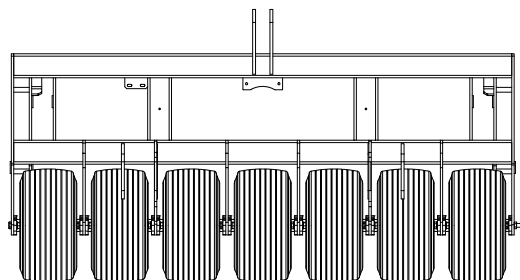
Detail rubber stop



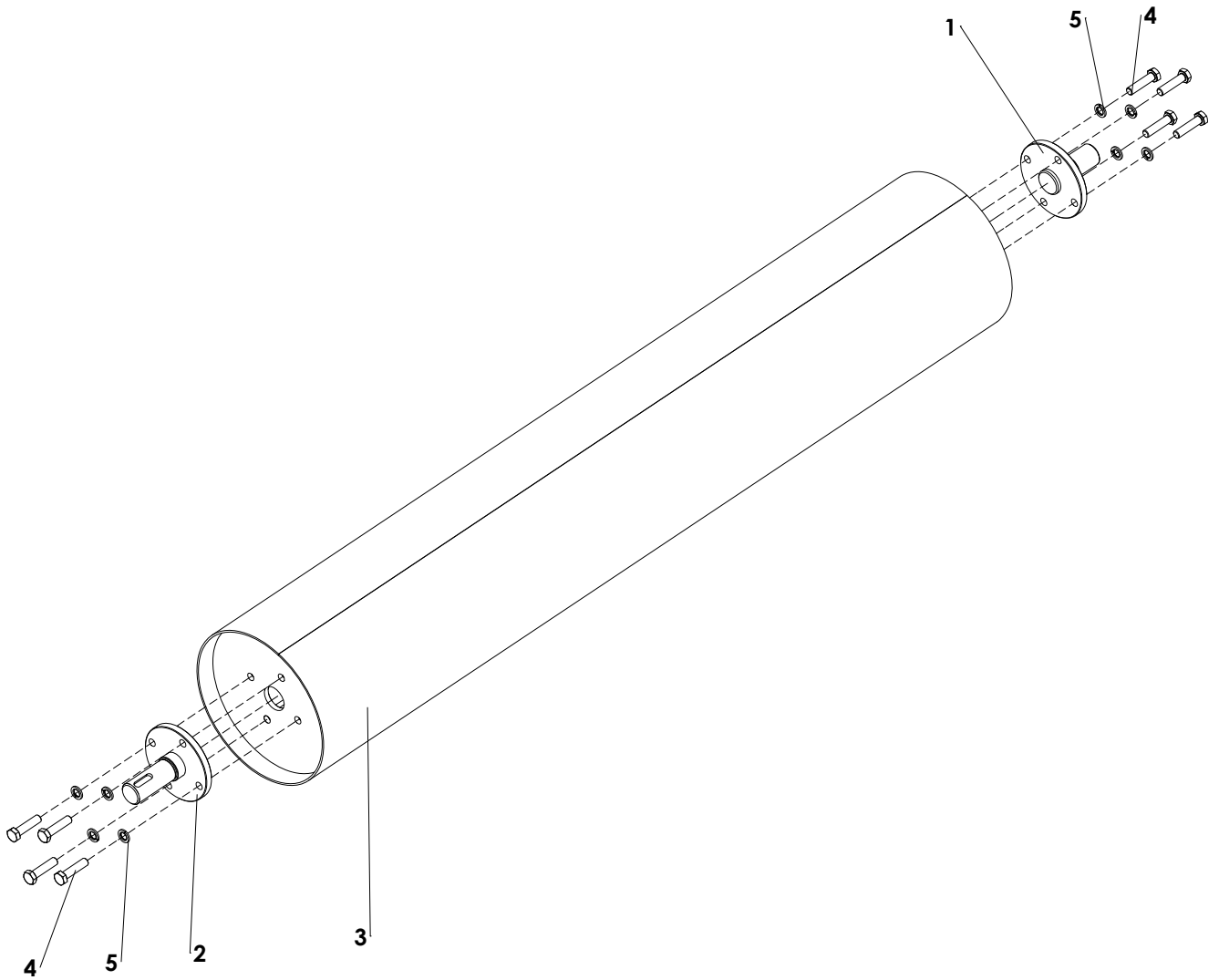
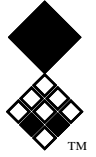
Easy Spread 1000



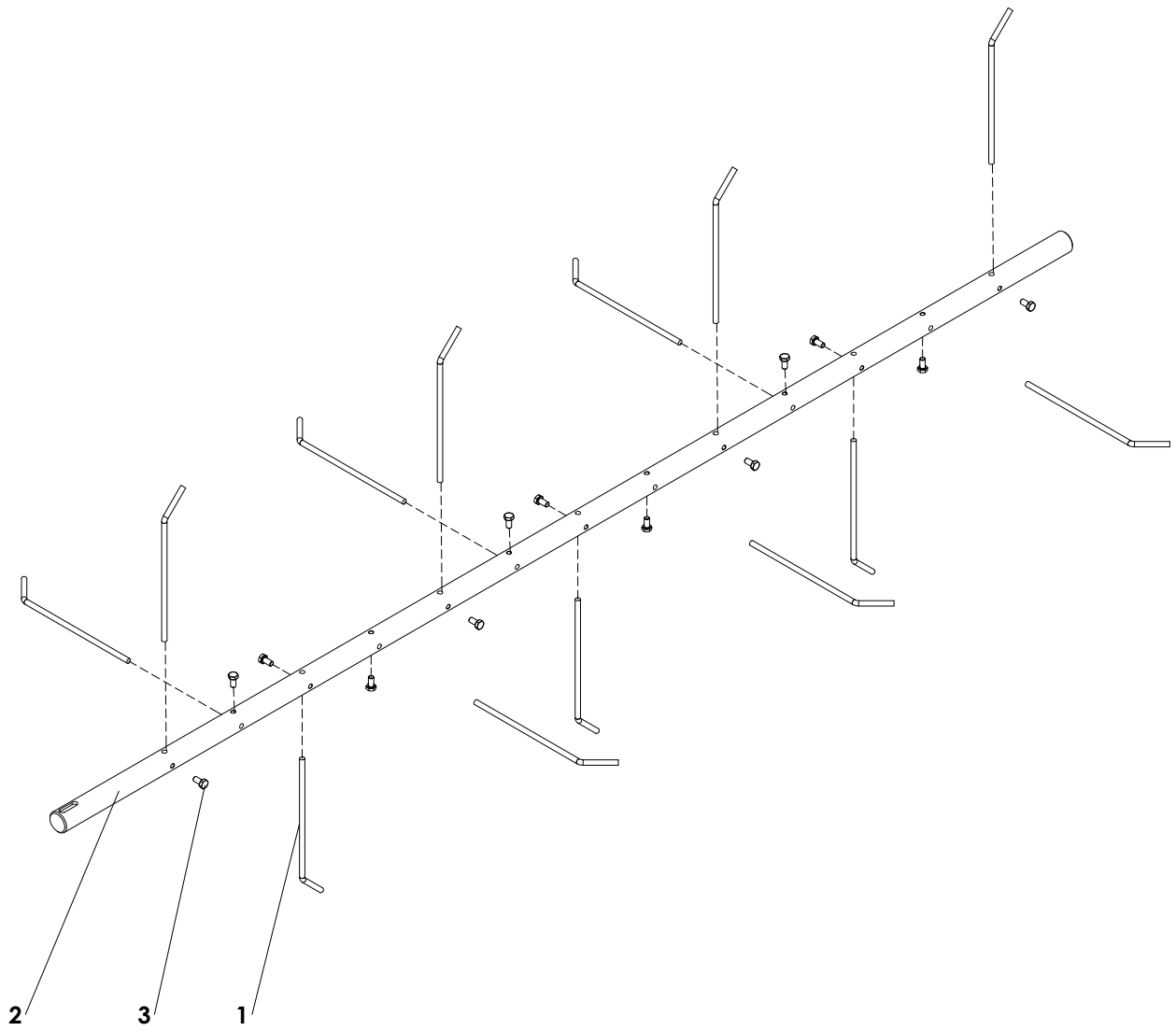
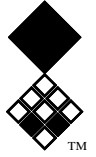
Easy Spread 2000



ITEM	PART NUMBER	DESCRIPTION	REMARKS	QUA ES 1000	QUA ES 1500	QUA ES 2000
1	414.302.940	Wheel Shaft Ø30 L=294mm	Easy Spread 1500	0	5	0
	414.302.840	Wheel Shaft Ø30 L=284mm	Easy Spread 2000	0	0	7
	414.303.320	Wheel Shaft Ø30 L=332mm	Easy Spread 1000	3	0	0
2	511.542.236	Wheel Complete		3	5	7
3	818.080.080	Set screw M8 x 8 - DIN 916		6	10	14
4	466.121.480	Wheel Shaft Holder		6	10	14
5	406.310.100	Distance Bush Ø50 / Ø30.3 L= 10	Easy Spread 1500	0	10	0
	406.310.320	Distance Bush Ø50 / Ø30.3 L= 32	Easy Spread 1000	6	0	0
6	414.281.950	3-Point Pin		2	2	2
7	494.161.076	Frame ES1500	Easy Spread 1500	0	1	0
	494.211.076	Frame ES2000	Easy Spread 2000	1	0	1
	494.110.071	Frame ES1000	Easy Spread 1000	1	0	0
8	521.191.600	Top link pin OS		1	1	1
9	523.030.750	R-Clip Round 3, DIN 11024		3	3	3
10	802.160.600	Bolt M16 x 60 - ISO 4014		4	8	12
11	804.160.450	Bolt M16 x 45 - ISO 4017		4	4	4
12	830.100.100	Self Lock Nut M10 - ISO 10511		2	2	2
13	830.160.160	Self Lock Nut M16 - ISO 10511		10	12	16
14	864.100.031	Large washer M10 - DIN 9021		6	6	6
15	864.160.030	Washer M16 - ISO 7089		14	20	28
16	D208112001	Rubber stop		2	2	2

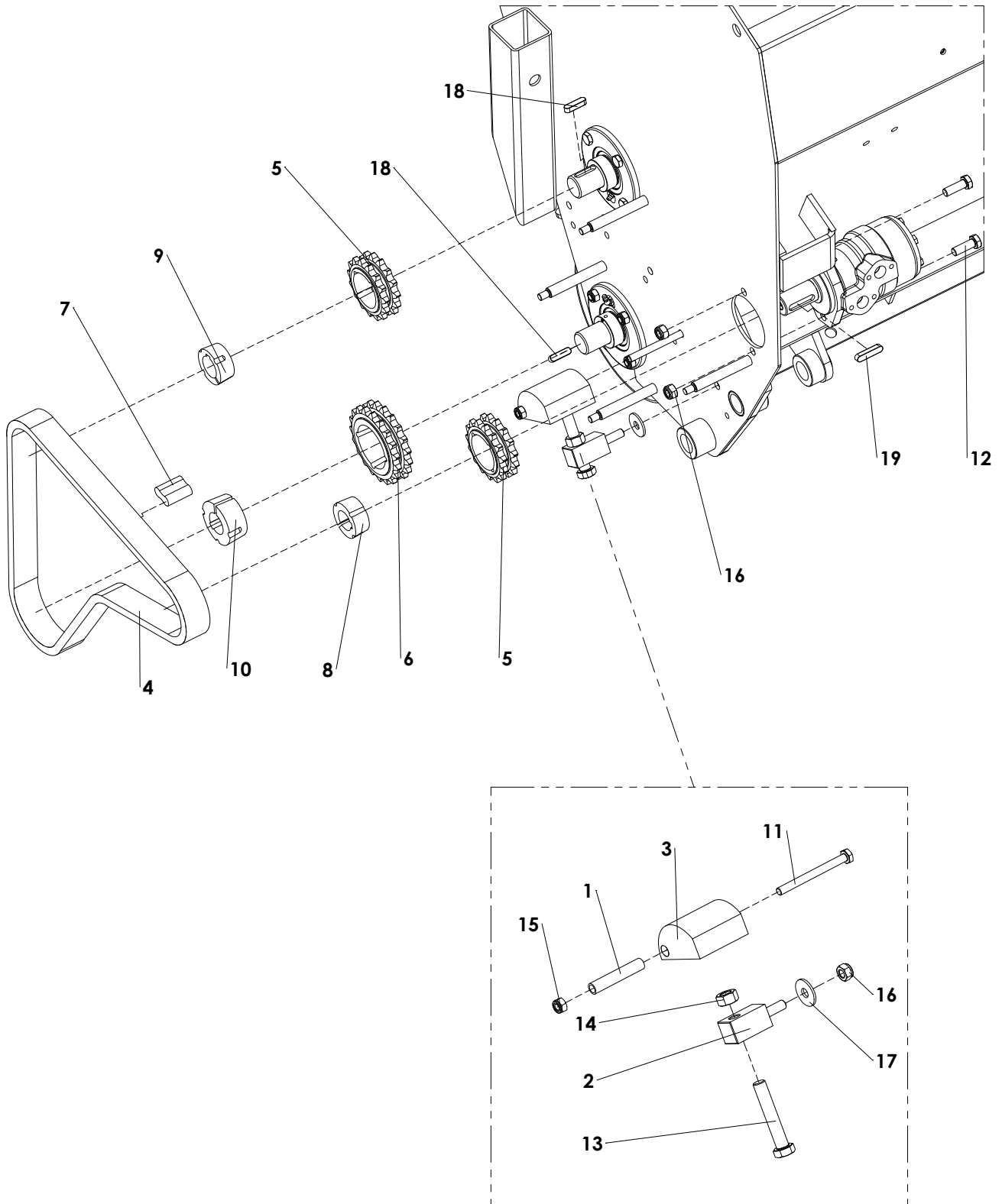


ITEM	PART NUMBER	DESCRIPTION	REMARKS	QUA ES 1000	QUA ES 1500	QUA ES 2000
1	474.350.750	Shaft Spread Roller		1	1	1
2	474.351.420	Shaft Spread Roller		1	1	1
3	488.258.148	Spread Roller ES1500		0	1	0
	488.258.198	Spread Roller ES2000		0	0	1
	488.258.098	Spread Roller ES1000		1	0	0
4	804.120.500	Bolt M12 x 50 - ISO 4017		8	8	8
5	866.120.020	Spring Washer M12 - DIN 127		8	8	8

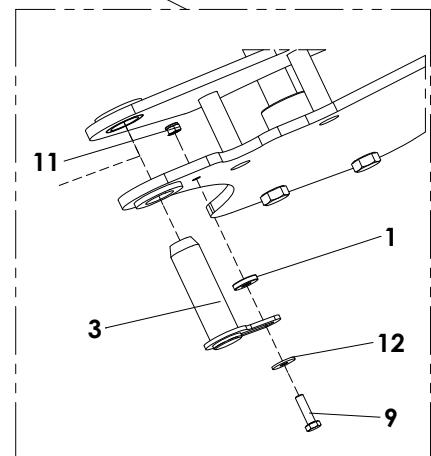
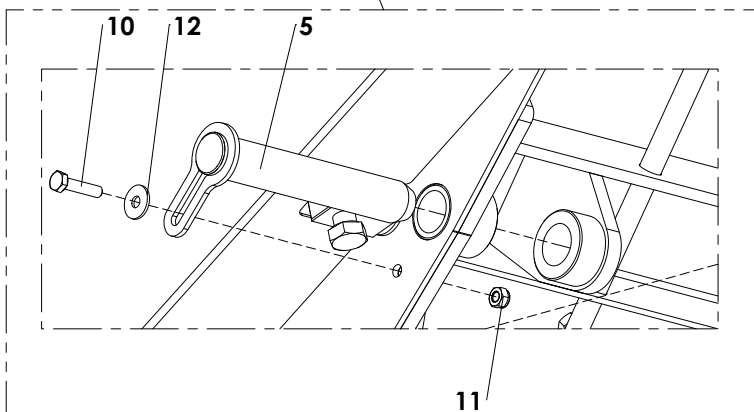
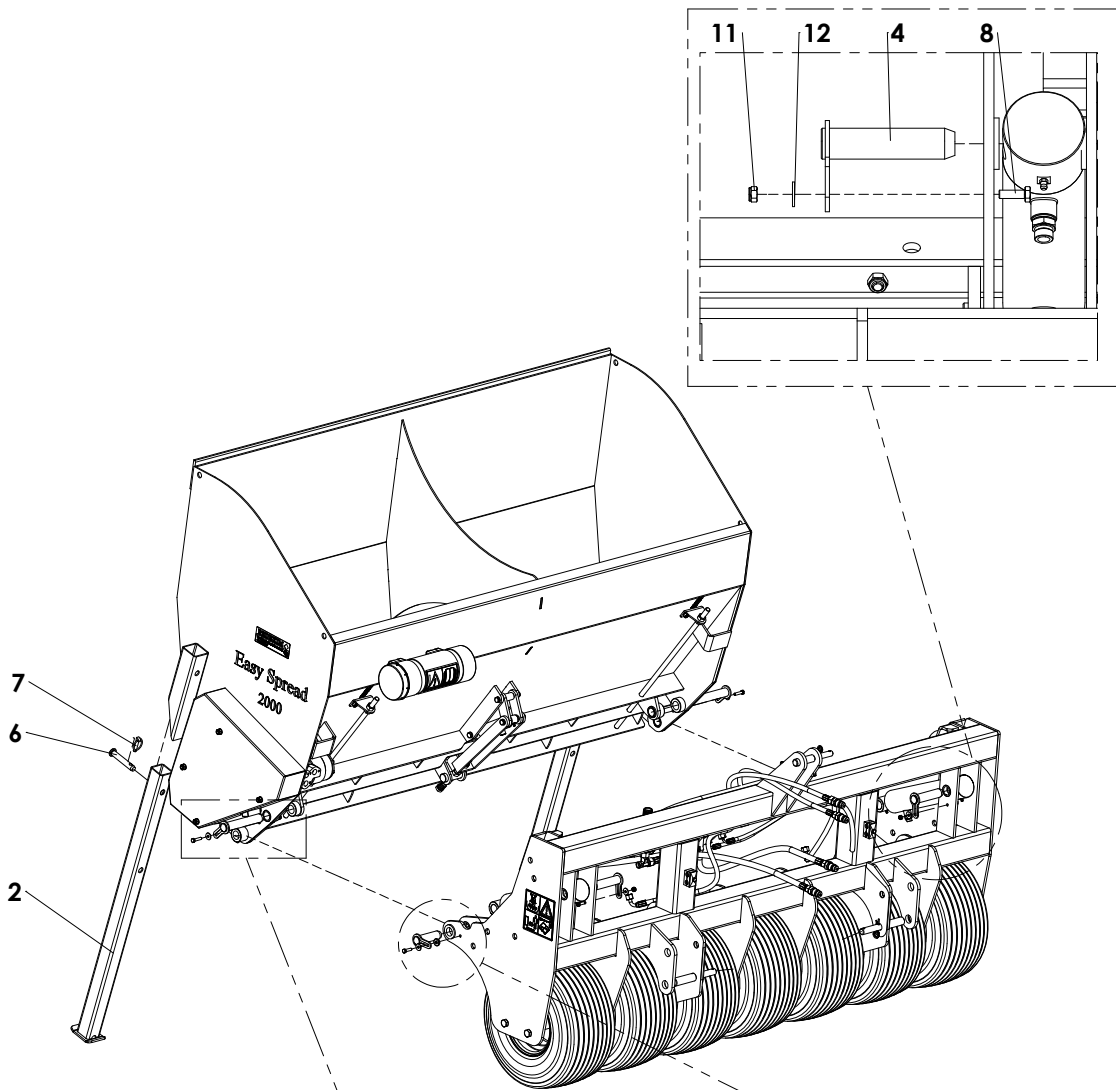
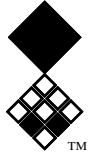




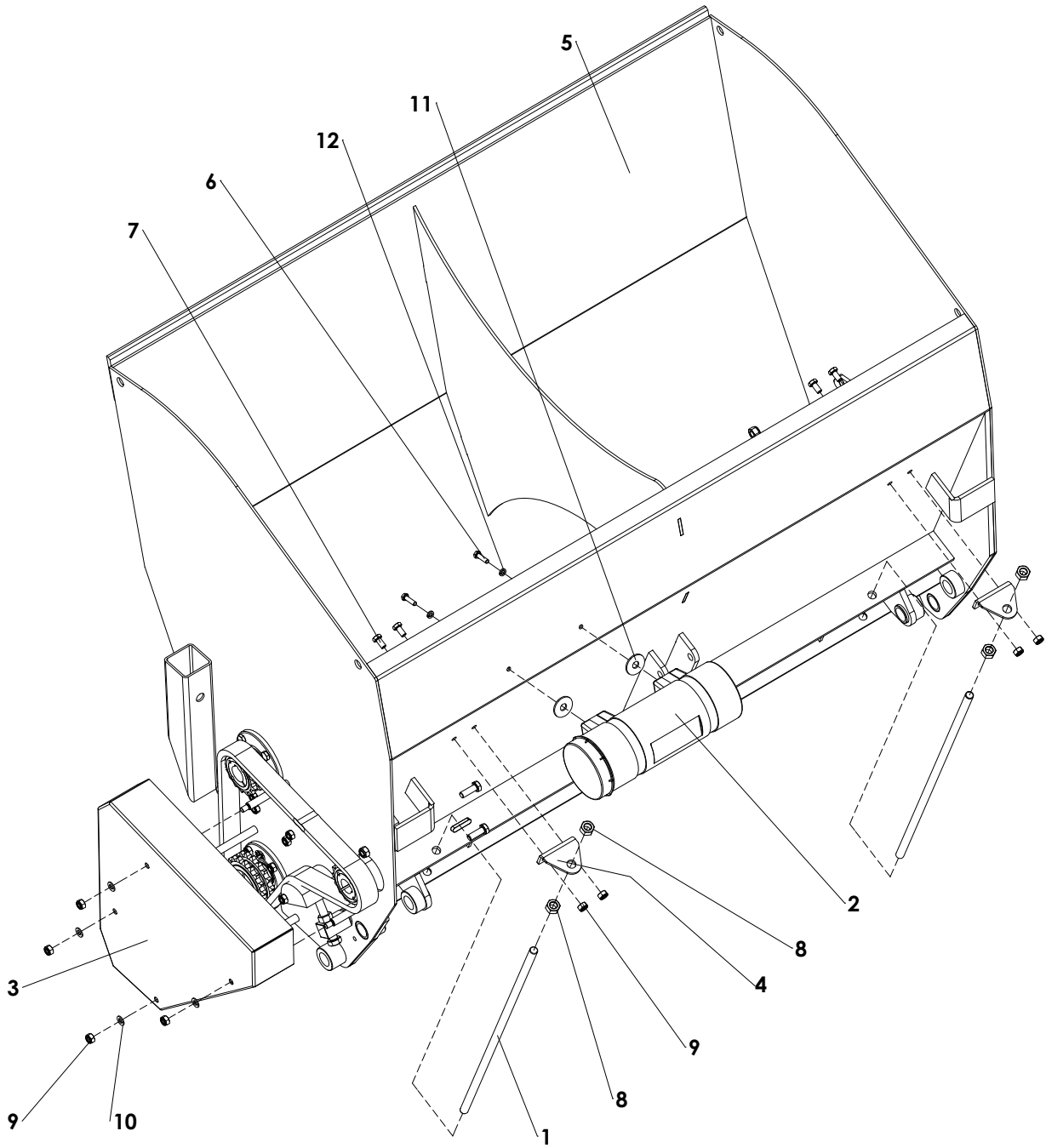
ITEM	PART NUMBER	DESCRIPTION	REMARKS	QUA ES 1000	QUA ES 1500	QUA ES 2000
1	414.082.300	Tine Agitator		6	9	13
2	414.359.210	Agitator Shaft ES2000		1	0	1
	414.359.160	Agitator Shaft ES1500		0	1	0
	414.359.110	Agitator Shaft ES1000		1	0	0
3	804.080.160	Bolt M8 x 16 ISO 4017		13	9	13



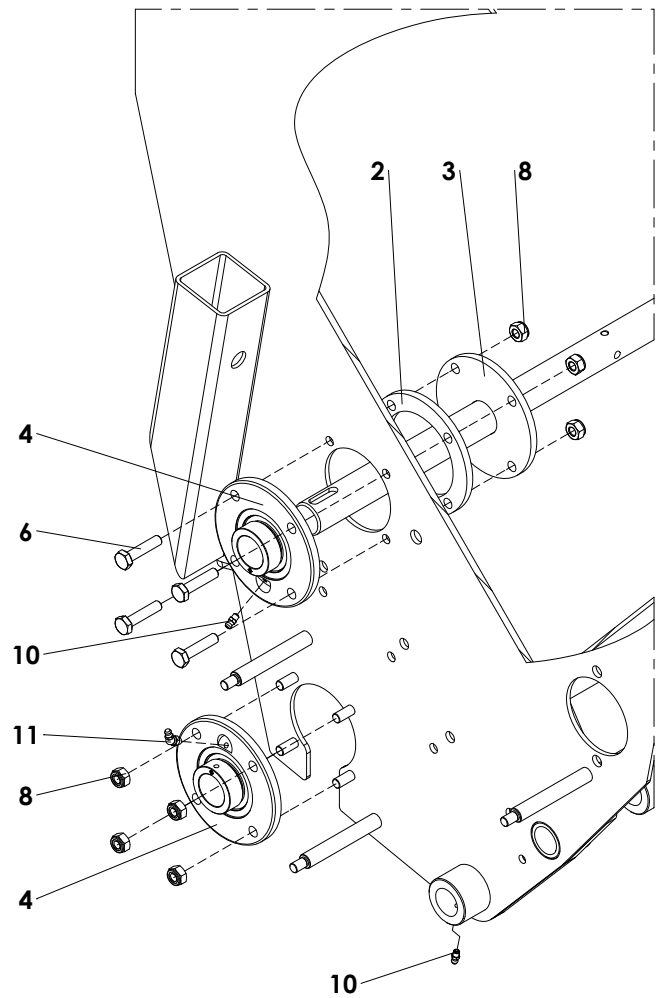
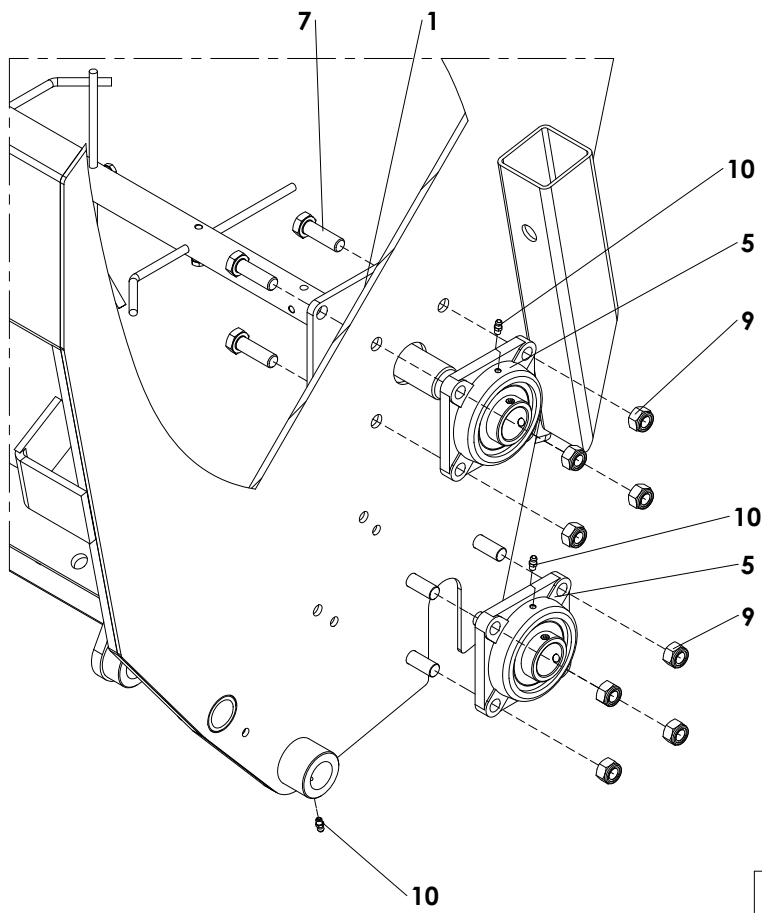
ITEM	PART NUMBER	DESCRIPTION	REMARKS	QUA ES 1000	QUA ES 1500	QUA ES 2000
1	406.110.810	Hydraulic tube Ø15x2 L=80.5		1	1	1
2	426.300.580	Front roller adjustment bush		1	1	1
3	444.480.900	Chain tensioner		1	1	1
4	632.031.448	Duplex chain 3/4"x7/16" L= 1447.8mm (57")		1	1	1
5	636.031.000	Sprocket Duplex 3/4" x 7/16", Z=15 TL1615		2	2	2
6	636.031.240	Sprocket Duplex 3/4" x 7/16", Z=19 TL2012		1	1	1
7	638.030.420	Chain connector 3_4 inch 12B Duplex		1	1	1
8	648.321.615	Taperlock 1615 - 32mm		1	1	1
9	648.351.615	Taperlock 1615 - 35mm		1	1	1
10	648.352.012	Taperlock 2012 - 35mm		1	1	1
11	802.101.100	Bolt M10 x 110 - ISO 4014		1	1	1
12	804.120.350	Bolt M12 x 35 - ISO 4017		2	2	2
13	804.160.900	Bolt M16 x 90 - ISO 4017		1	1	1
14	826.160.160	Nut M16 - DIN 934		1	1	1
15	830.100.100	Self Lock Nut M10 - ISO 10511		1	1	1
16	830.120.120	Self Lock Nut M12 - ISO 10511		2	2	2
17	864.120.031	Large washer M12 - DIN 9021		1	1	1
18	884.100.360	Key 10x8x36 - DIN 6885		2	2	2
19	884.100.450	Key 10x8x45 - DIN 6885		1	1	1



ITEM	PART NUMBER	DESCRIPTION	REMARKS	QUA ES 1000	QUA ES 1500	QUA ES 2000
1	406.090.050	Distance Bush Ø25/Ø9 L=5		2	2	2
2	460.609.100	Jack		2	2	2
3	474.301.110	Lock Pin Ø30 L=110		2	2	2
4	474.301.300	Lock Pin		2	2	2
5	474.301.830	Lock Pin		2	2	2
6	521.191.120	3-Point Pin		2	2	2
7	523.100.570	Linch Pin d10		2	2	2
8	804.080.250	Bolt M8 x 25 - ISO 4017		2	2	2
9	804.080.300	Bolt M8 x 30 - ISO 4017		2	2	2
10	804.080.350	Bolt M8 x 35 - ISO 4017		2	2	2
11	830.080.080	Self Lock Nut M8 - ISO 10511		6	6	6
12	864.080.024	Large washer M8 - DIN 9021		6	6	6

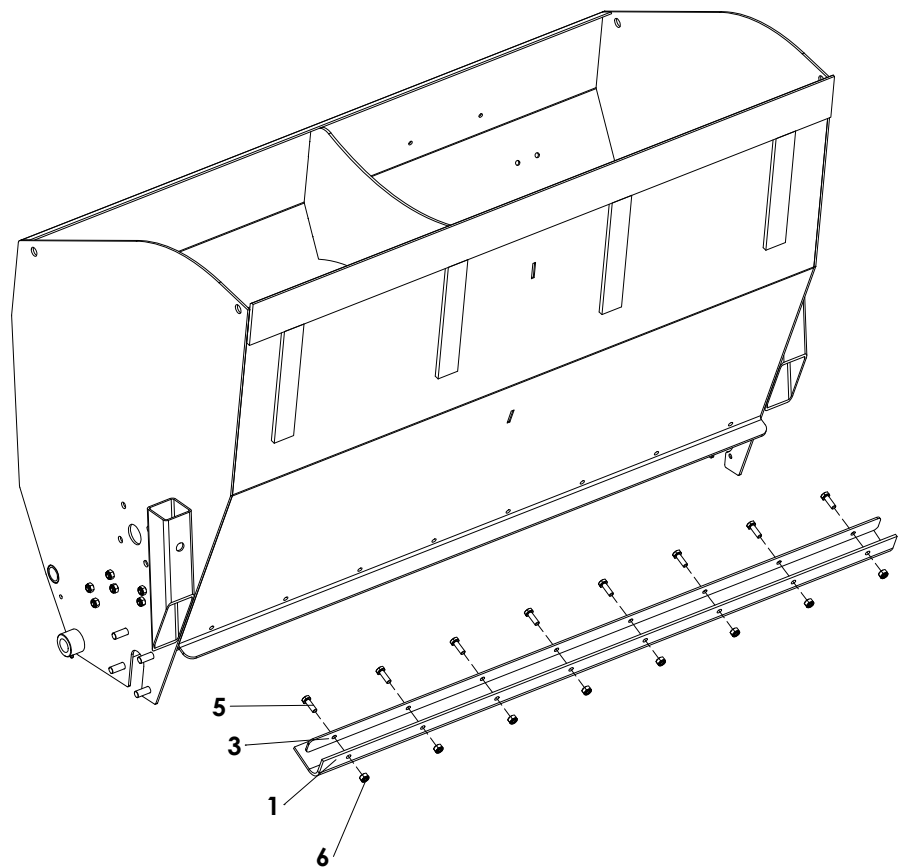
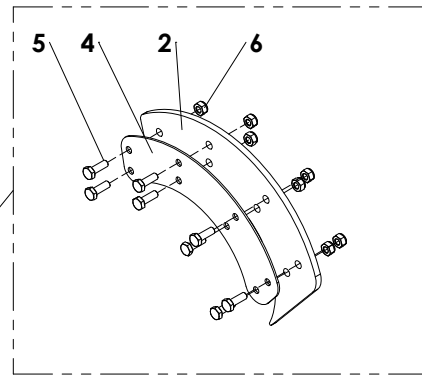
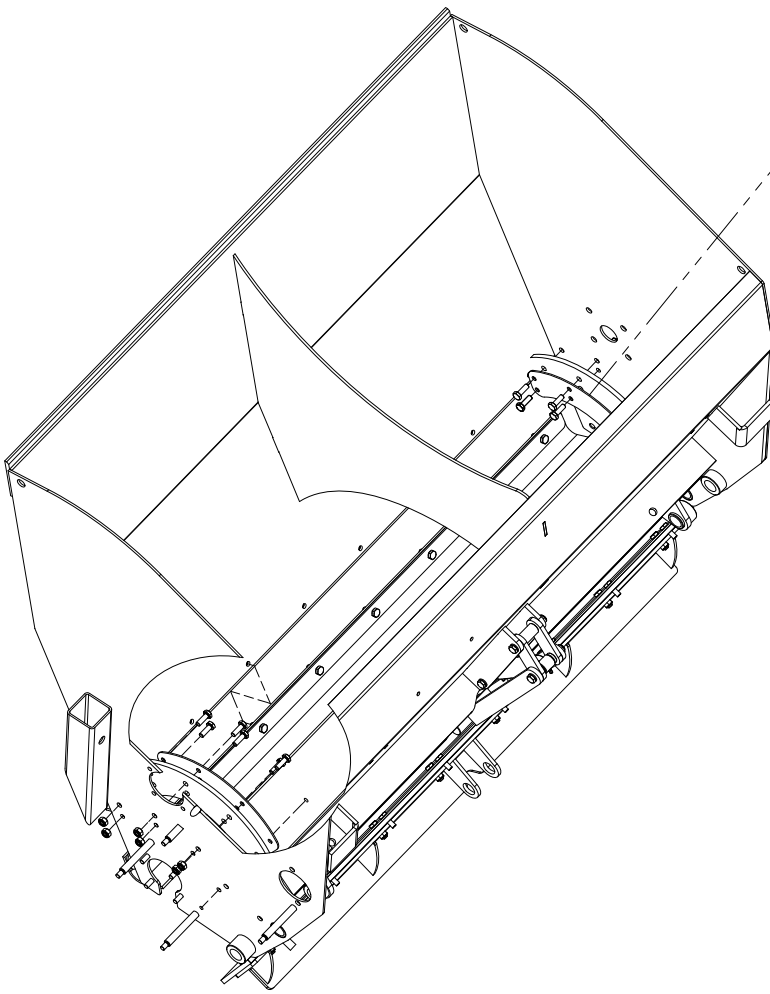


ITEM	PART NUMBER	DESCRIPTION	REMARKS	QUA ES 1000	QUA ES 1500	QUA ES 2000
1	416.167.000	Gate adjustment shaft		2	2	2
2	444.803.100	Toolbox Complete		1	1	1
3	456.051.050	Sprocket Cover		1	1	1
4	468.050.804	Bracket		2	2	2
5	494.150.080	Hopper ES1500	Easy Spread 1500	0	1	0
	494.200.080	Hopper ES2000	Easy Spread 2000	0	0	1
	494.118.080	Hopper ES1000	Easy Spread 1000	1	0	0
6	804.080.300	Bolt M8 x 30 - ISO 4017		2	2	2
7	804.100.200	Bolt M10 x 20 - ISO 4017		4	4	4
8	826.160.160	Nut M16 - DIN 934		4	4	4
9	830.100.100	Self Lock Nut M10 - ISO 10511		8	8	8
10	864.100.030	Washer M10 - ISO 7089		4	4	4
11	864.140.031	Large washer M14 - DIN 9021		2	2	2
12	866.080.020	Spring Washer M8 - DIN 127		2	2	2

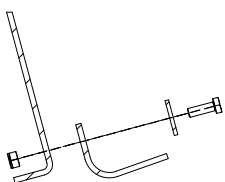




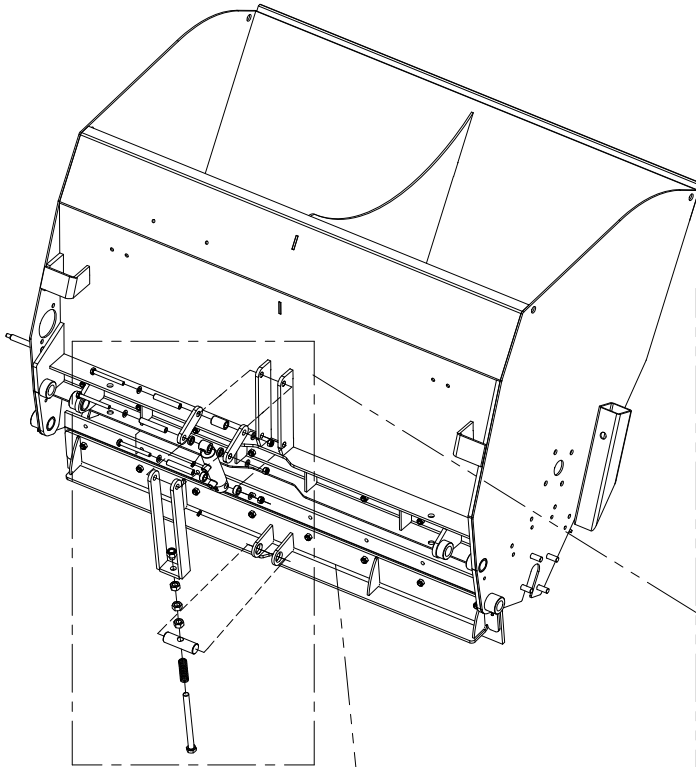
ITEM	PART NUMBER	DESCRIPTION	REMARKS	QUA ES 1000	QUA ES 1500	QUA ES 2000
1	468.081.170	Cover plate		1	1	1
2	468.081.300	Cover plate		1	1	1
3	468.081.302	Cover plate		1	1	1
4	741.350.390	Bearing PME 35-N		2	2	2
5	741.450.490	Bearing UCF 207		2	2	2
6	804.100.450	Bolt M10 x 45 - ISO 4017		4	4	4
7	804.140.450	Bolt M14 x 45 - ISO 4017		4	4	4
8	830.100.100	Self Lock Nut M10 - ISO 10511		8	8	8
9	830.140.140	Self Lock Nut M14 - ISO 10511		8	8	8
10	880.060.100	Grease nipple M6 DIN 71412A		5	5	5
11	880.060.104	Grease nipple M6 45deg. DIN 71412B		1	1	1



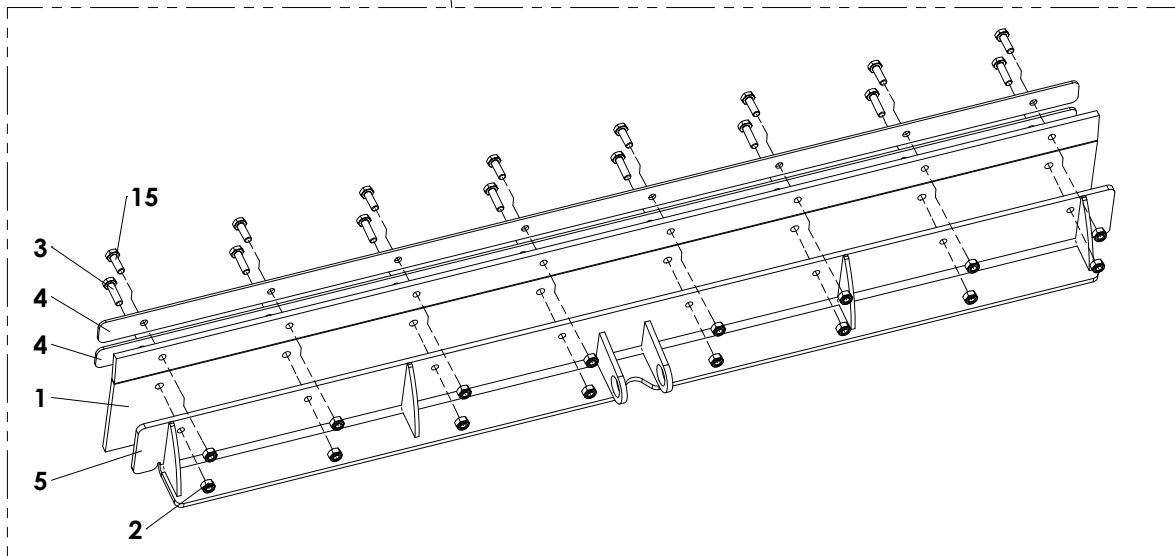
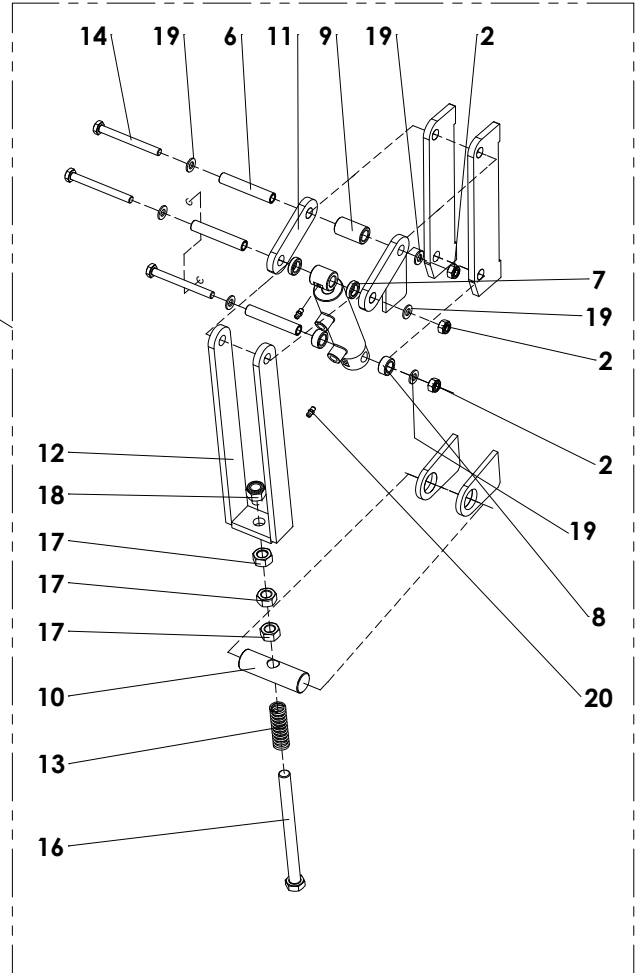
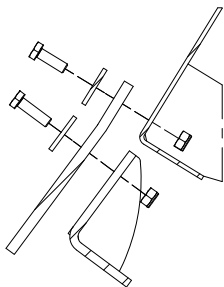
Mounting seal + strip



ITEM	PART NUMBER	DESCRIPTION	REMARKS	QUA ES 1000	QUA ES 1500	QUA ES 2000
1	446.069.150	Seal Hopper	Easy Spread 1500	0	1	0
	446.069.200	Seal Hopper	Easy Spread 2000	1	0	1
	446.069.700	Seal Hopper	Easy Spread 1000	1	0	0
2	446.103.550	Seal Hopper		2	2	2
3	464.029.158	Clamp Strip	Easy Spread 1500	0	2	0
	464.029.206	Clamp Strip	Easy Spread 2000	0	0	2
	464.029.650	Clamp Strip	Easy Spread 1000	2	0	2
4	464.033.190	Clamp Strip		2	2	2
5	804.100.300	Bolt M10 x 30 - ISO 4017		20	23	26
6	830.100.100	Self Lock Nut M10 - ISO 10511		21	24	27

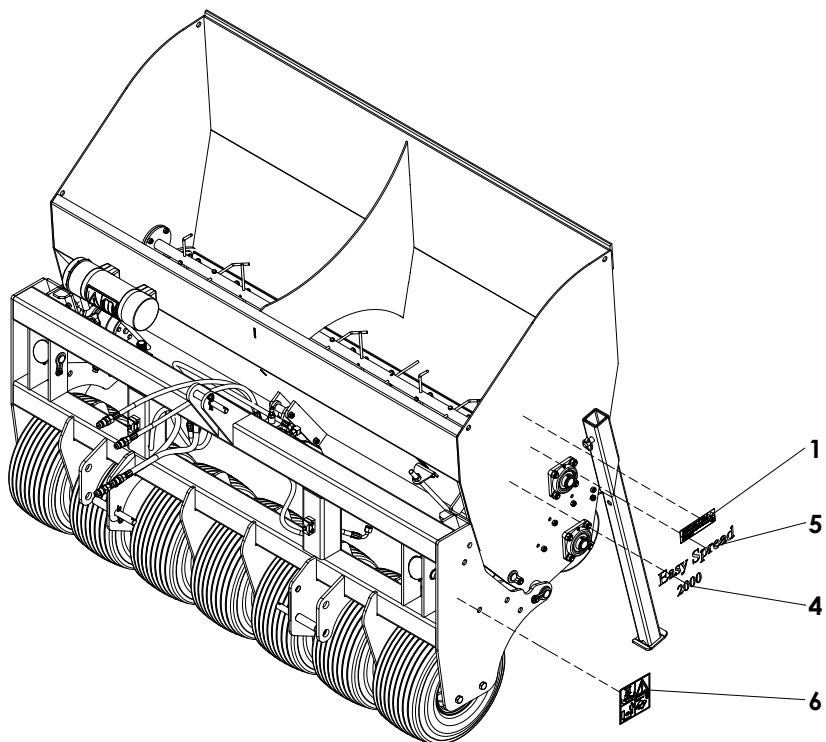
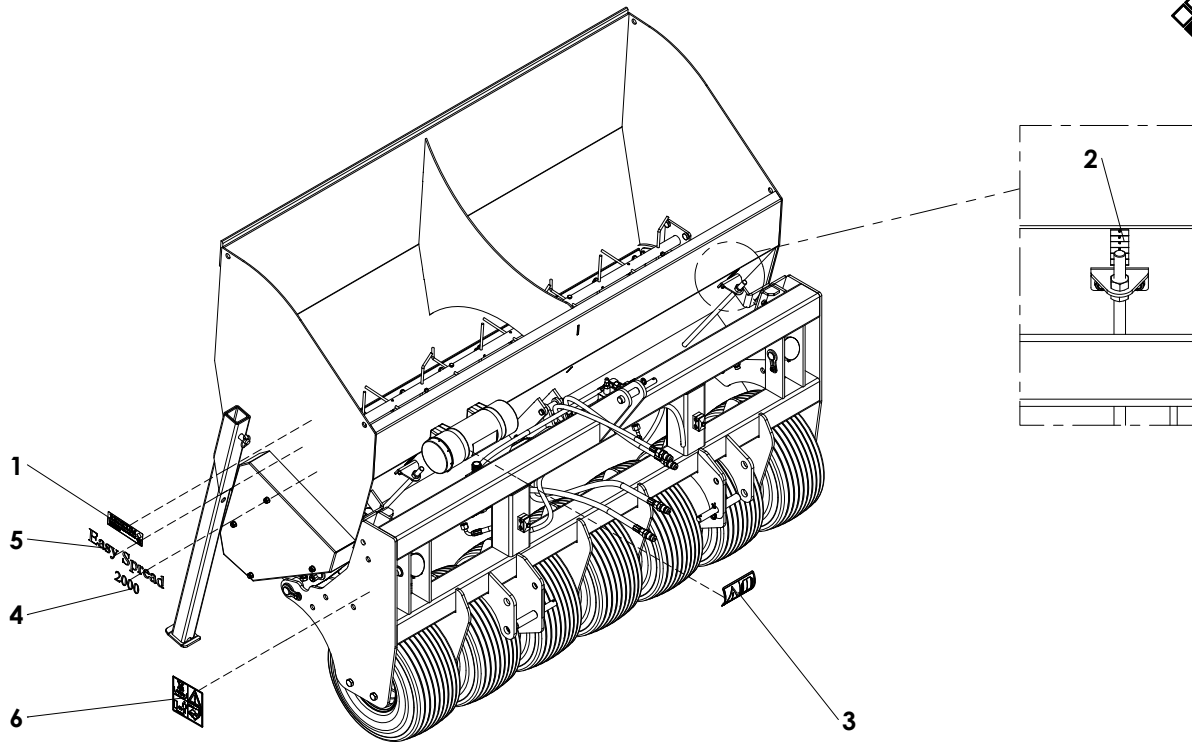


Mounting seal + strip



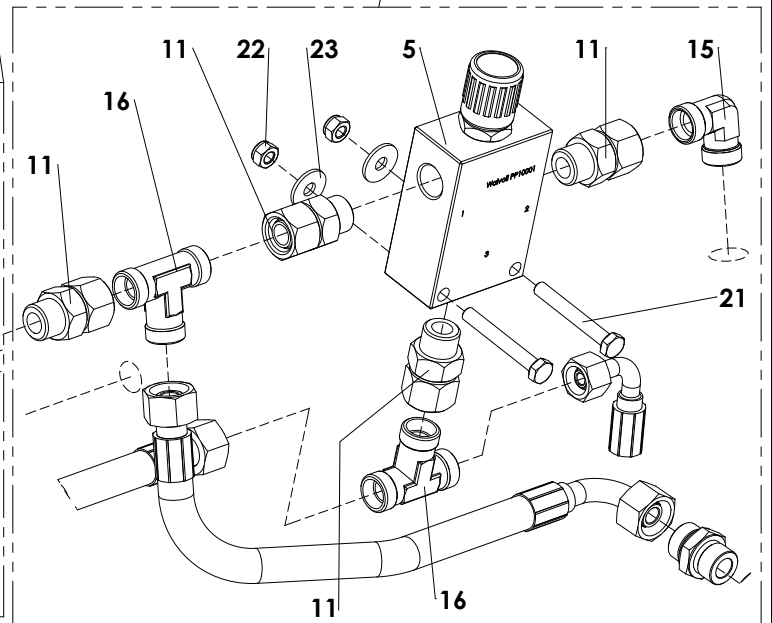
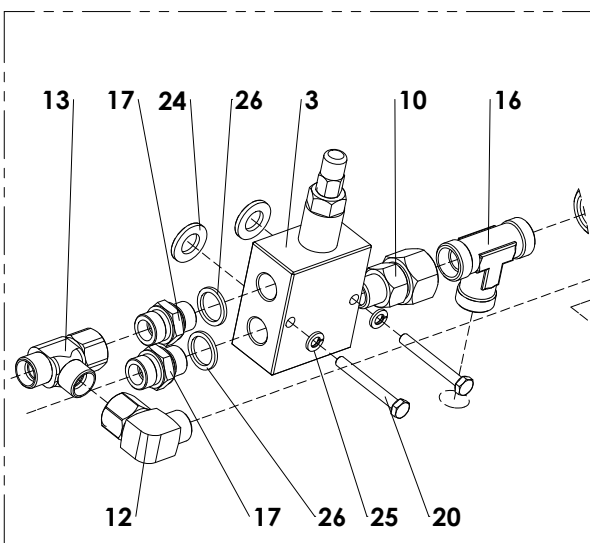
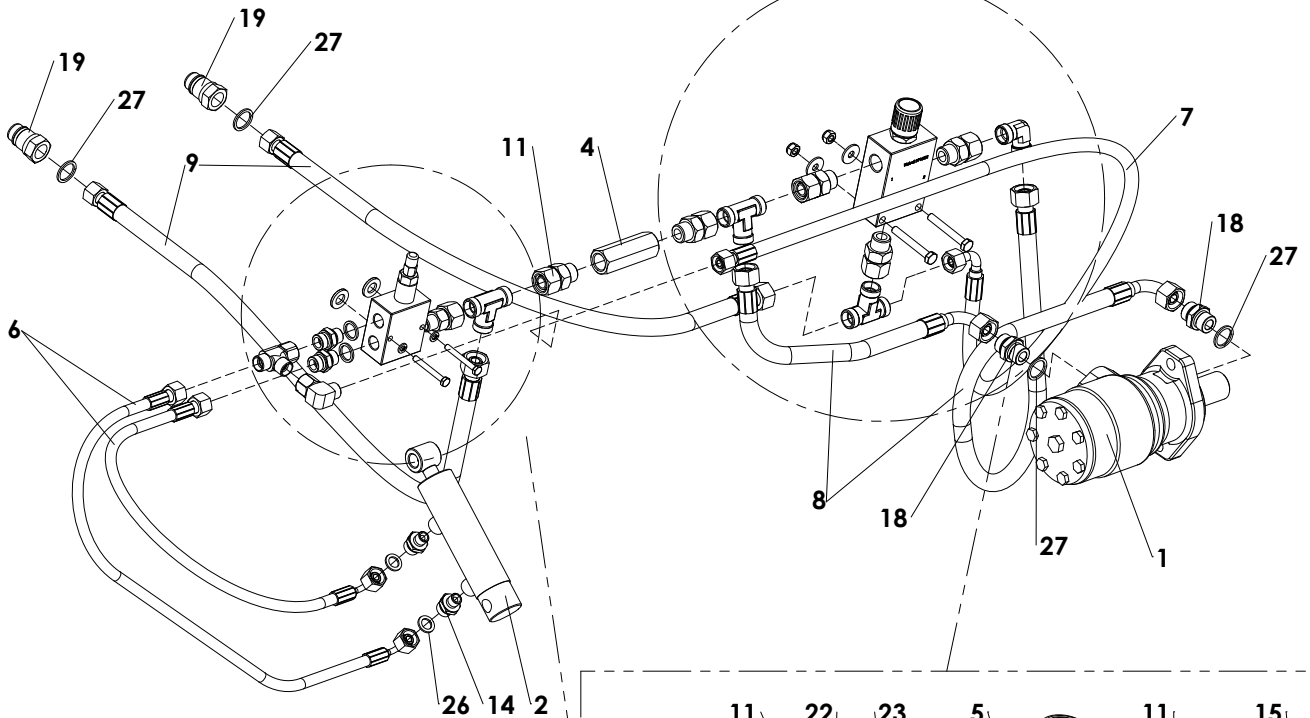
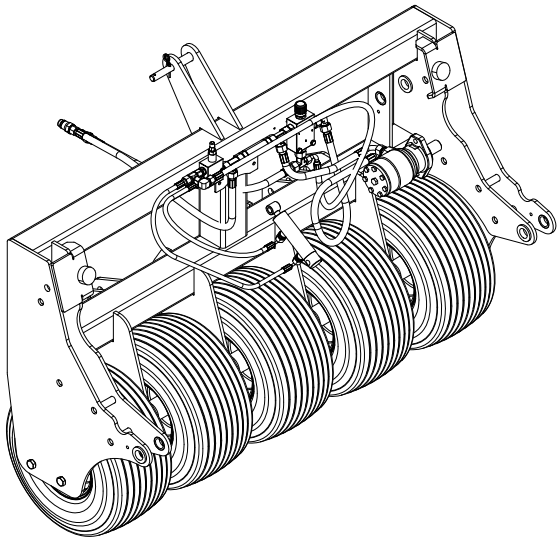
BOM Table(Restructured)

ITEM	PART NUMBER	DESCRIPTION	REMARKS	QUA ES 1000	QUA ES 1500	QUA ES 2000
1	446.109.150	Seal Spread Flap ES1500	Easy Spread 1500	0	1	0
	446.109.202	Seal Spread Flap ES2000	Easy Spread 2000	0	0	1
	446.109.700	Seal Spread Flap ES1000	Easy Spread 1000	1	0	0
2	830.100.100	Self Lock Nut M10 - ISO 10511		13	19	25
3	804.100.350	Bolt M10 x 35 - ISO 4017		5	8	11
4	464.029.158	Clamp Strip	Easy Spread 1500	0	2	0
	464.029.206	Clamp Strip	Easy Spread 2000	0	0	2
	464.029.650	Clamp Strip	Easy Spread 1000	2	0	0
5	470.089.140	Spread Flap ES1500	Easy Spread 1500	0	1	0
	470.089.190	Spread Flap ES2000	Easy Spread 2000	1	0	1
	470.089.600	Spread Flap ES1000	Easy Spread 1000	1	0	0
6	406.110.860	Distance bush Ø15/Ø10.5 L=86		3	3	3
7	406.150.070	Distance Bush Ø25 / Ø15.5, L= 7		2	2	2
8	406.150.120	Distance Bush Ø25 / Ø15.5, L= 12		2	2	2
9	406.150.450	Distance Bush Ø25 / Ø15.5, L= 44.5		1	1	1
10	424.301.000	Adjustment Pin		1	1	1
11	464.101.202	Connection Strip		2	2	2
12	466.103.752	Spread Adjuster		1	1	1
13	576.220.710	Compression Spring Ø 22 - d2.5. L0= 77		1	1	1
14	802.101.000	Bolt M10 x 100 - ISO 4014		3	3	3
15	804.100.300	Bolt M10 x 30 - ISO 4017		5	8	11
16	804.162.000	Bolt M16 x 200 - ISO 4017		1	1	1
17	826.160.160	Nut M16 - DIN 934		3	3	3
18	830.160.160	Self Lock Nut M16 - ISO 10511		1	1	1
19	864.100.030	Washer M10 - ISO 7089		6	6	6
20	880.060.100	Grease nipple M6 DIN 71412A		2	2	2



The placement of decals is the same for the ES 1000, ES 1500 and the ES 2000

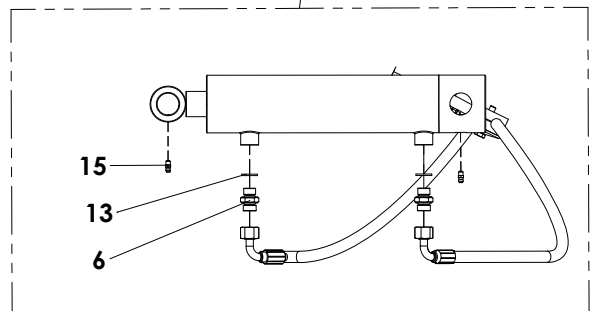
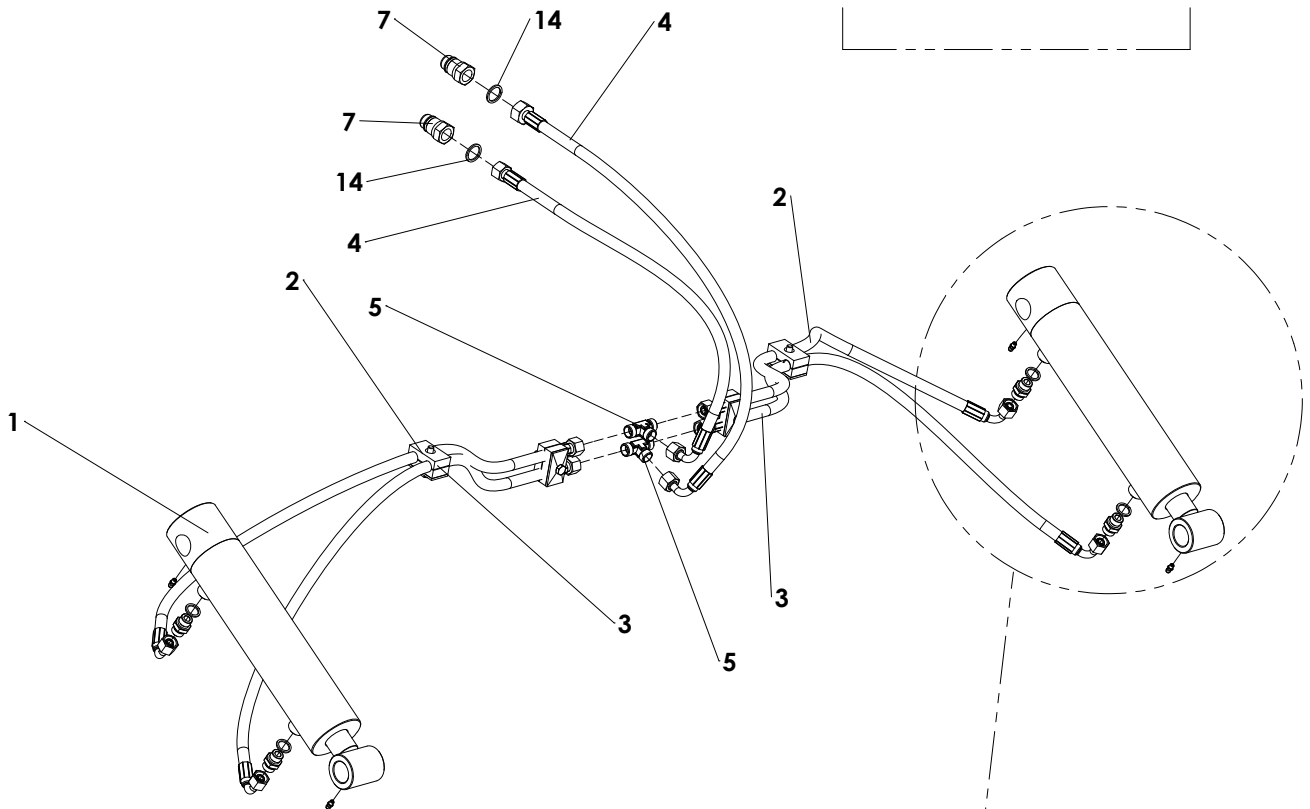
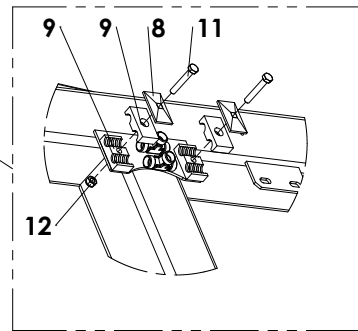
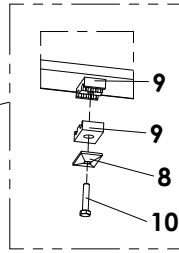
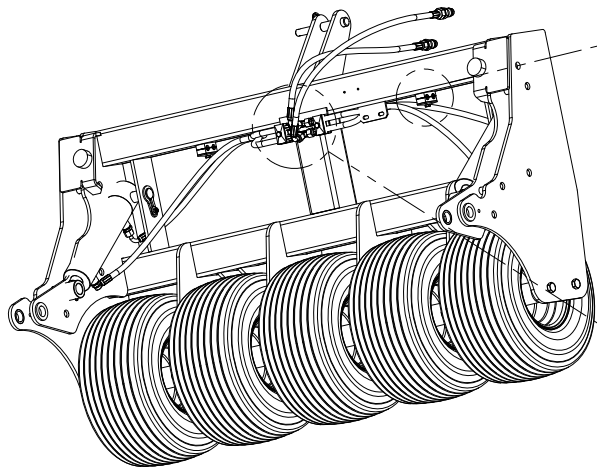
ITEM	PART NUMBER	DESCRIPTION	REMARKS	QUA ES 1000	QUA ES 1500	QUA ES 2000
1	900.260.403	Logo Label		2	2	2
2	900.260.414	Decall Ruler		2	2	2
3	900.280.402	Safety decall manual		1	1	1
4	913.260.414	Label 2000		0	0	2
	913.260.416	Label 1500		0	2	0
	913.260.418	Label 1000		2	0	0
5	931.260.402	Label Easy Spread		2	2	2
6	931.281.470	Safety Decall Easy Spread		2	2	2



Shown Easy Spread 1500



ITEM	PART NUMBER	DESCRIPTION	REMARKS	QUA ES 1000	QUA ES 1500	QUA ES 2000
1	532.323.150	Hydraulic Motor OMR 315 - Ø32		1	1	1
2	534.160.184	Hydraulic Cylinder 16-32, Stroke 50mm		1	1	1
3	535.351.300	Pressure Control Valve 3/8", 20-80 bar		1	1	1
4	536.210.800	SL Non-Return Valve 1/2", 0.5 bar		1	1	1
5	536.401.000	Adjustable 3-Way Control Valve 1/2"		1	1	1
6	541.131.102	Hose NSK 6-1/4", L= 1100 PGLO618 + PGLO61890		2	2	2
7	541.170.682	Hose NSK 10 - 3/8" L= 680 PGLO1018 + PGLO102290		1	1	1
8	541.211.000	Hose NSK 13-1/2" L=1000 PGLO1322 + PGLO132290	Easy spread 1000 + 1500	2	2	0
	541.211.180	Hose NSK 13-1/2" L=1180 PGLO1322 + PGLO132290	Easy Spread 2000	0	0	2
9	541.211.602	Hose NSK 13 - 1/2" L= 1600 PGLO1322 + PN138		2	2	2
10	543.170.150	Joint Connector Straight 3/8" x Ø15 Prem.		1	1	1
11	543.210.150	Joint Connector Straight 1/2" x Ø15 Prem.		5	5	5
12	544.123.180	L-Connector PM, Pipe 12-M18		1	1	1
13	544.124.600	T_-Connector PM, Pipe 12-M18		1	1	1
14	544.130.120	Nipple BSP 1_4" x pipe 12 (M18)		2	2	2
15	544.153.220	L-Connector 15x15		1	1	1
16	544.154.150	T-Connector 15x15x15		3	3	3
17	544.170.120	Nipple BSP 3_8" x pipe 12 (M18)		2	2	2
18	544.210.150	Nipple BSP 1_2" x pipe 15 (M22)		2	2	2
19	545.210.800	Quick connector male 1/2"		2	2	2
20	802.060.500	Bolt M6 x 50 - ISO 4014		2	2	2
21	802.080.600	Bolt M8 x 60 - ISO 4014		2	2	2
22	830.080.080	Self Lock Nut M8 - ISO 10511		2	2	2
23	864.080.024	Large washer M8 - DIN 9021		2	2	2
24	864.120.030	Washer M12 - ISO 7089		2	2	2
25	866.060.020	Spring Washer M6 - DIN 127		2	2	2
26	874.170.020	Copper washer 3/8"		4	4	4
27	874.210.020	Copper washer 1_2		4	4	4



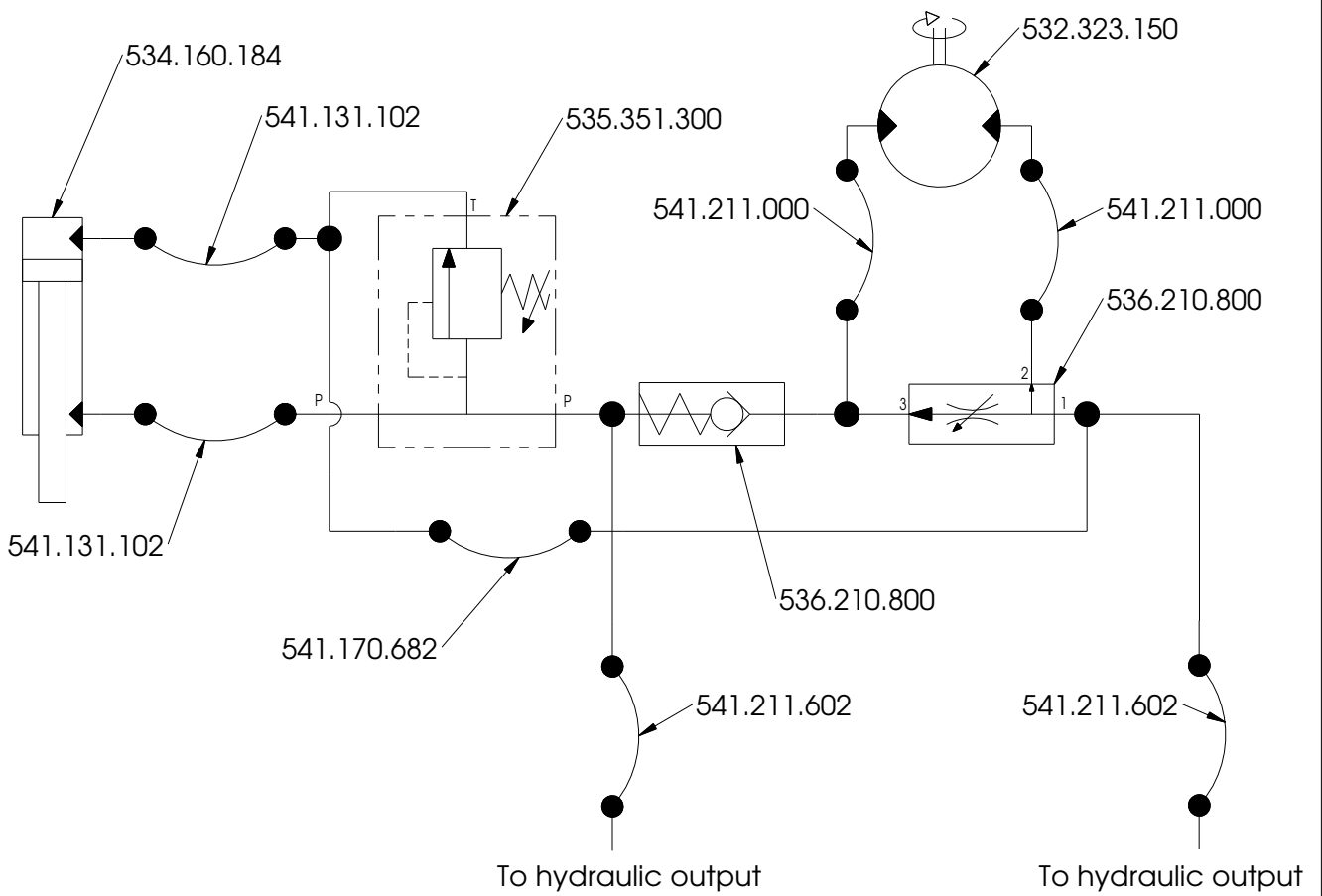
Shown Easy Spread 1500

ITEM	PART NUMBER	DESCRIPTION	REMARKS	QUA ES 1000	QUA ES 1500	QUA ES 2000
1	534.350.398	Hydraulic Cylinder 35-70, Stroke 200mm		2	2	2
2	541.170.825	Hose NSK10-3/8" L=825 PGLO101890	Easy Spread 1500	0	2	0
	541.171.100	Hose NSK10-3/8" L=1100 PGLO1018 + PGLO101890	Easy Spread 2000	0	0	2
	541.170.575	Hose NSK10-3/8" L=575 PGLO1018 + PGLO101890	Easy Spread 1000	2	0	0
3	541.170.950	Hose NSK10-3/8" L=950 PGLO1018 + PGLO101890	Easy Spread 1500	0	2	0
	541.171.180	Hose NSK10-3/8" L=1800 PGLO1018 + PGLO101890	Easy Spread 2000	0	0	2
	541.170.750	Hose NSK10-3/8" L=750 PGLO1018 + PGLO101890	Easy Spread 1000	2	0	0
4	541.171.600	Hose NSK 10 - 3/8" L= 1600 PGLO1018 + PN108		2	2	2
5	544.124.125	T-Connector 12x12x12		2	2	2
6	544.170.120	Nipple BSP 3_8" x pipe 12 (M18)		4	4	4
7	545.210.800	Quick connector male 1/2"		2	2	2
8	547.070.510	Cover plate hose clamp 2x15 - 2x18		4	4	4
9	547.150.150	Hose clamp double 15mm		8	8	8
10	802.080.400	Bolt M8 x 40 - ISO 4014		2	2	2
11	802.080.500	Bolt M8 x 50 - ISO 4014		2	2	2
12	830.080.080	Self Lock Nut M8 - ISO 10511		2	2	2
13	874.170.020	Copper washer 3_8		4	4	4
14	874.210.020	Copper washer 1_2		2	2	2
15	880.060.100	Grease nipple M6 DIN 71412A		4	4	4

# Hydraulic scheme Easy Spread 1500



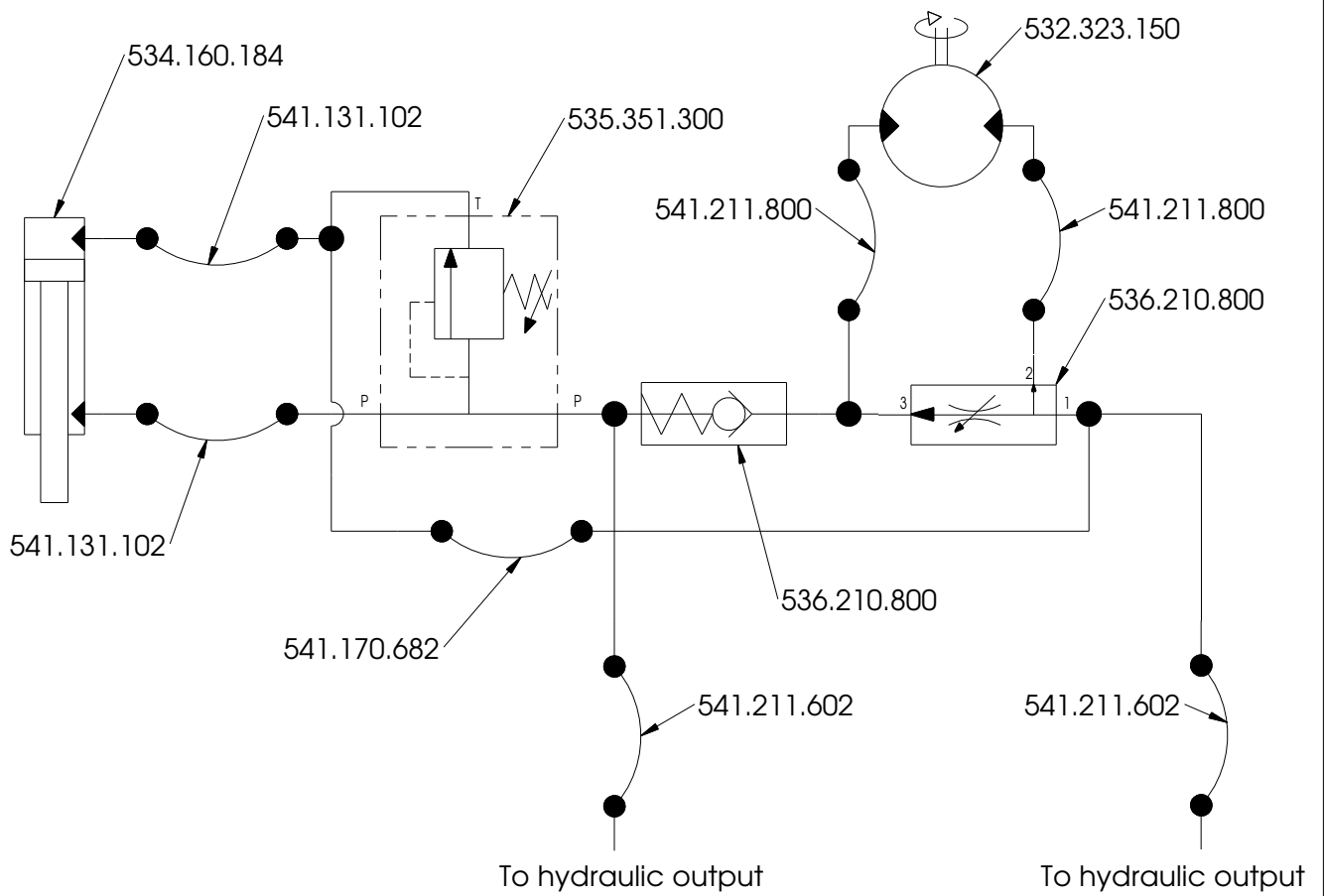
## Gate and motor



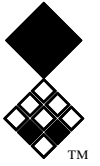
# Hydraulic scheme Easy Spread 2000



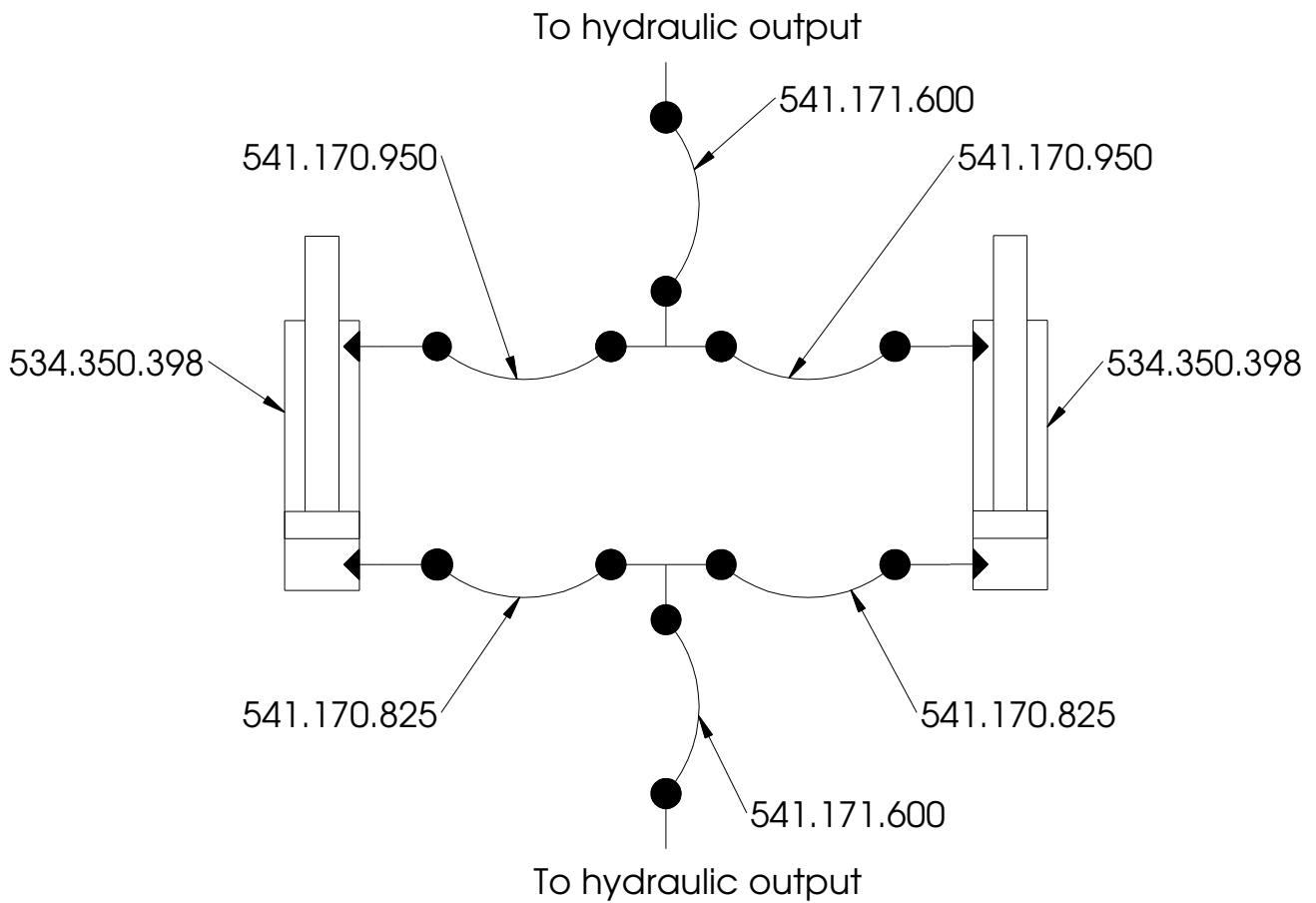
## Gate and motor



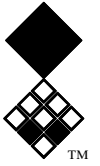
# Hydraulic scheme Easy Spread 1500



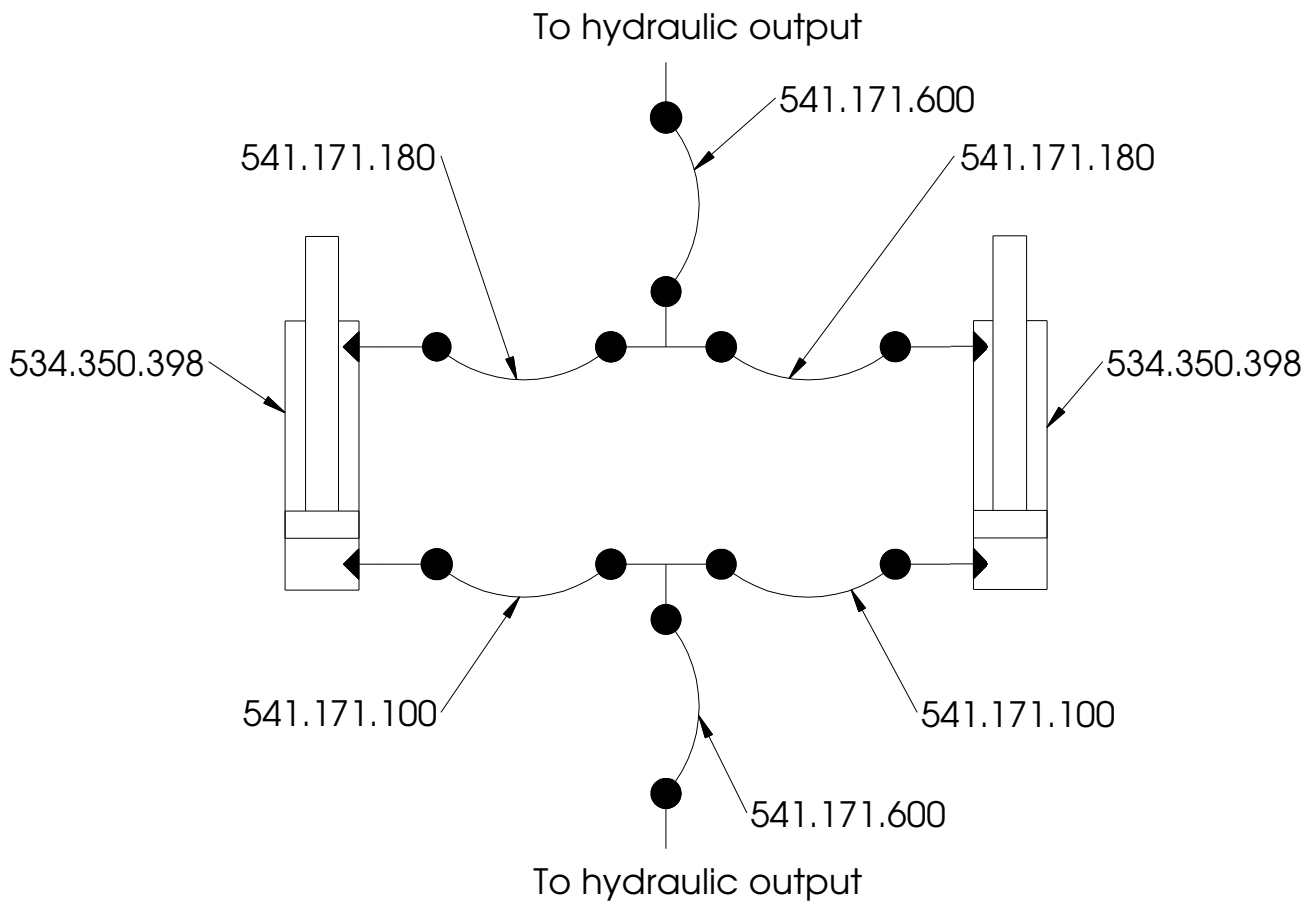
## Hopper cylinders



# Hydraulic scheme Easy Spread 2000



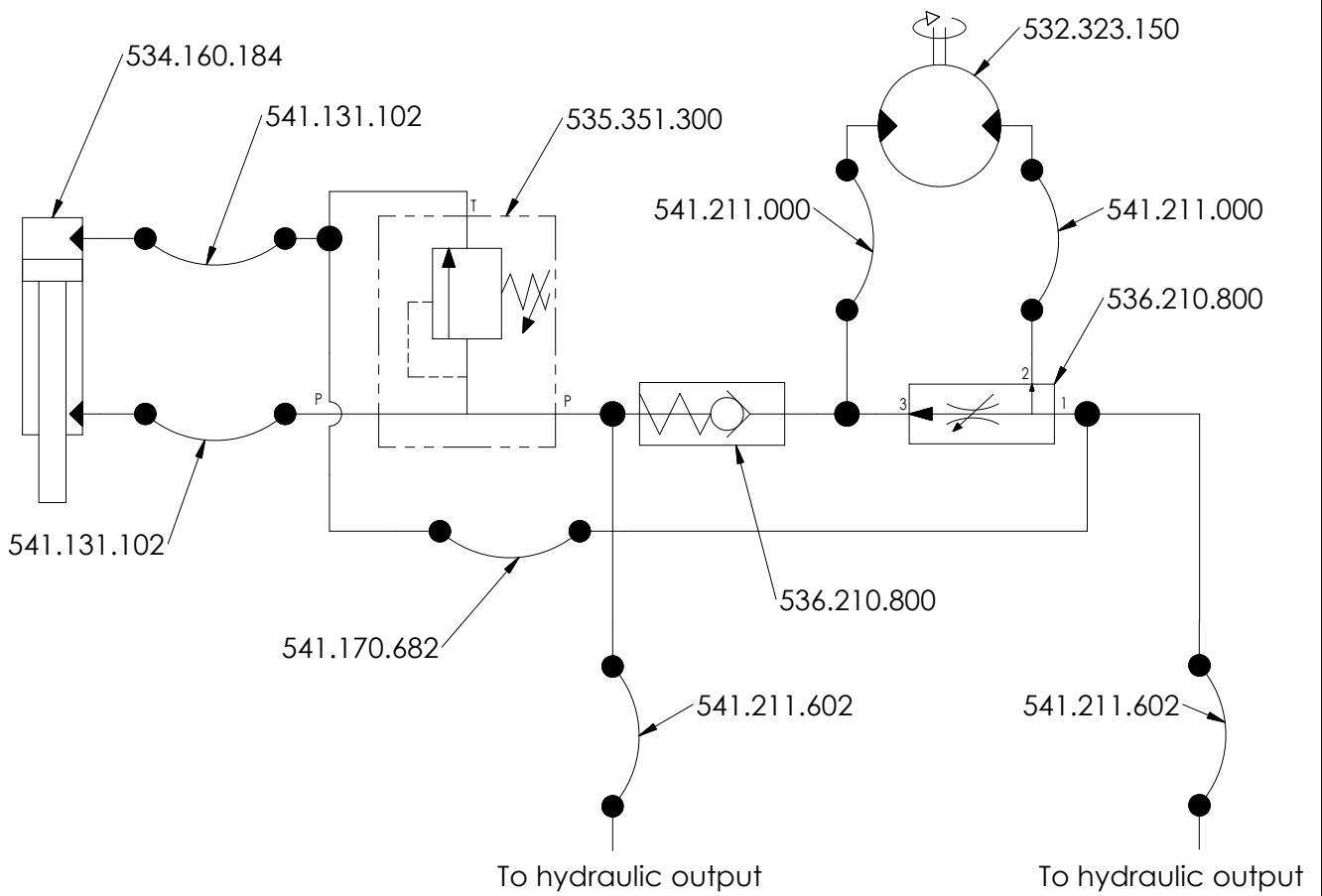
## Hopper cylinders



# Hydraulic scheme Easy Spread 1000



## Gate and motor





# Hydraulic scheme Easy Spread 1000



## Hopper cylinders

