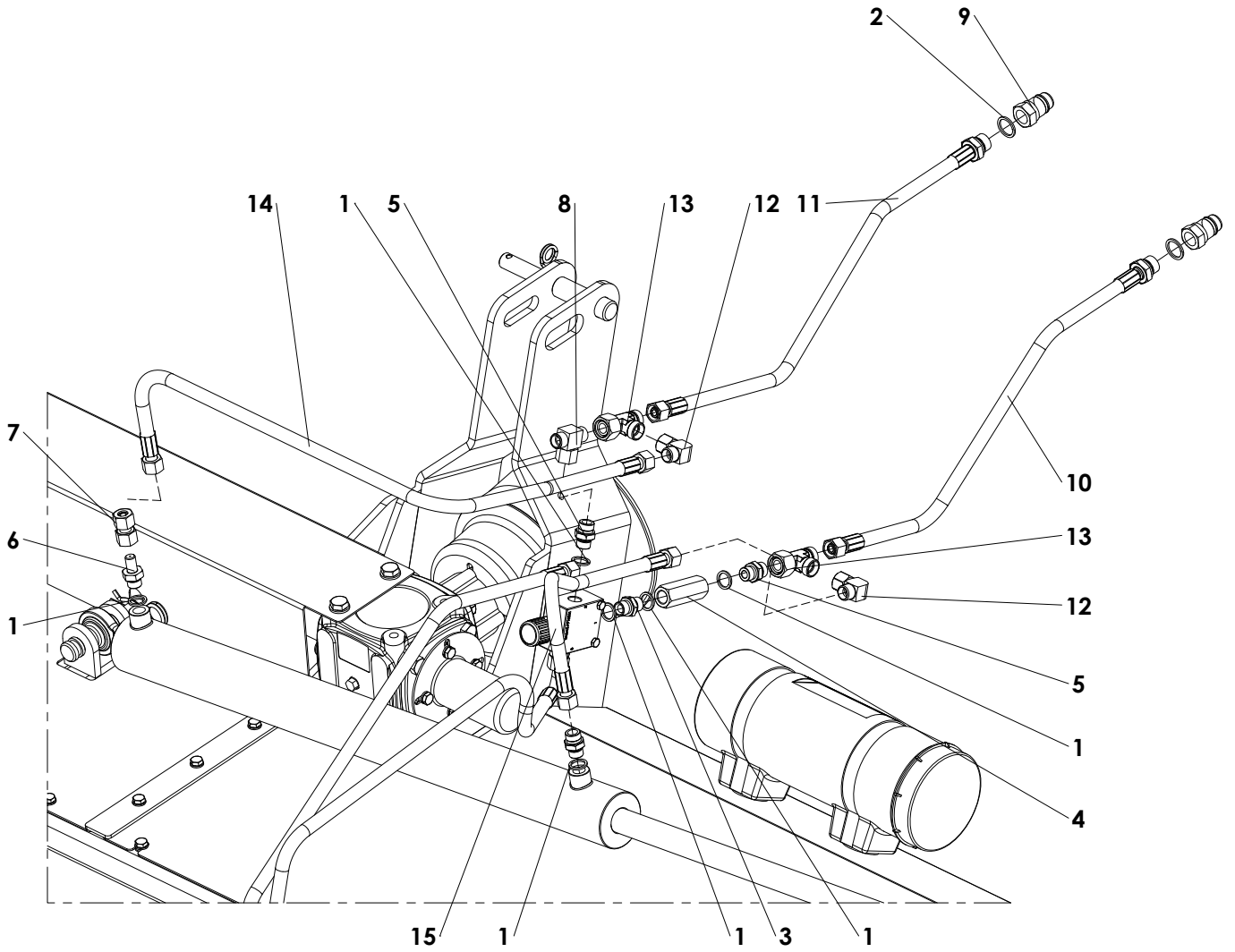
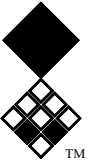


Parts manual

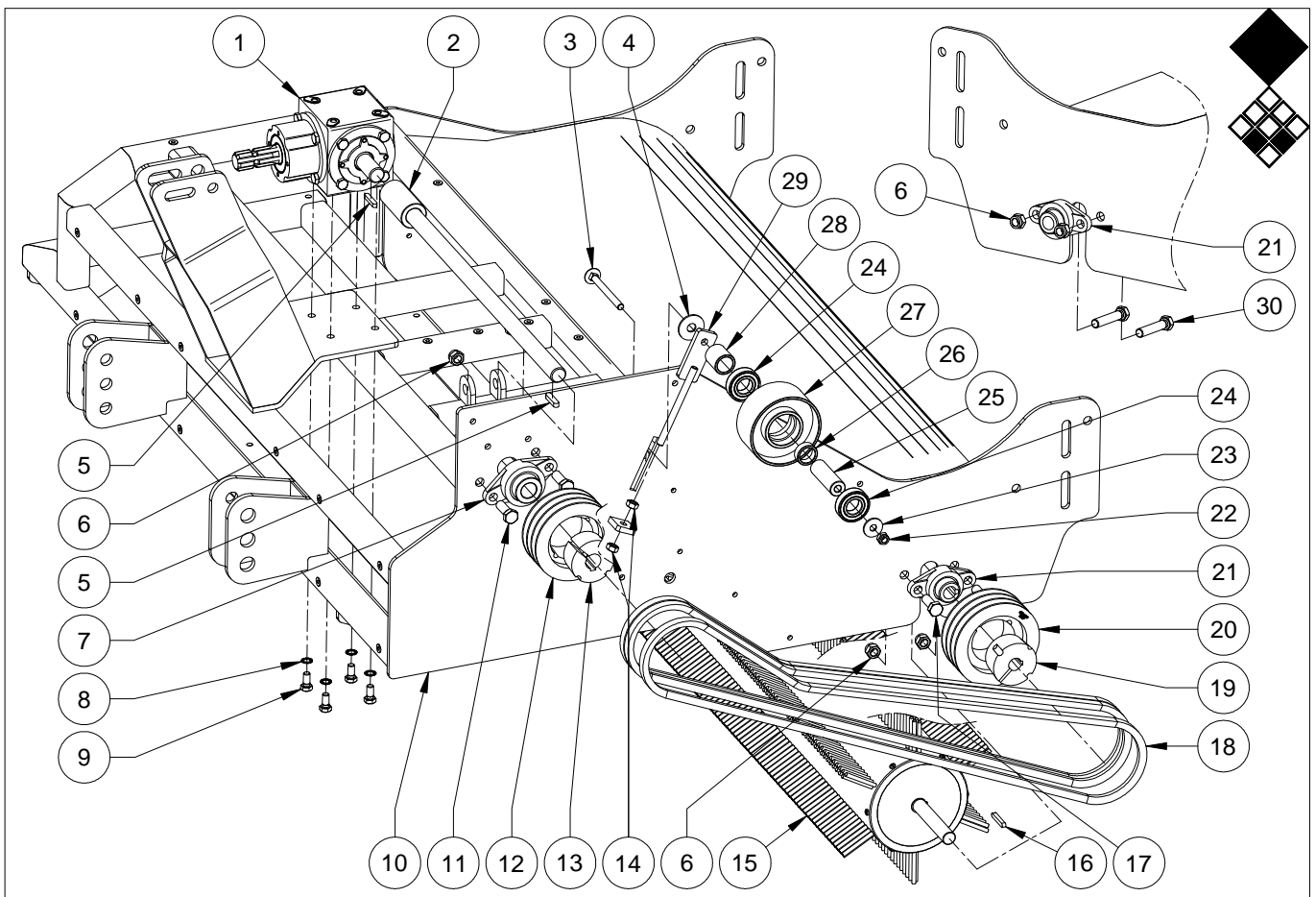




Dual hose system

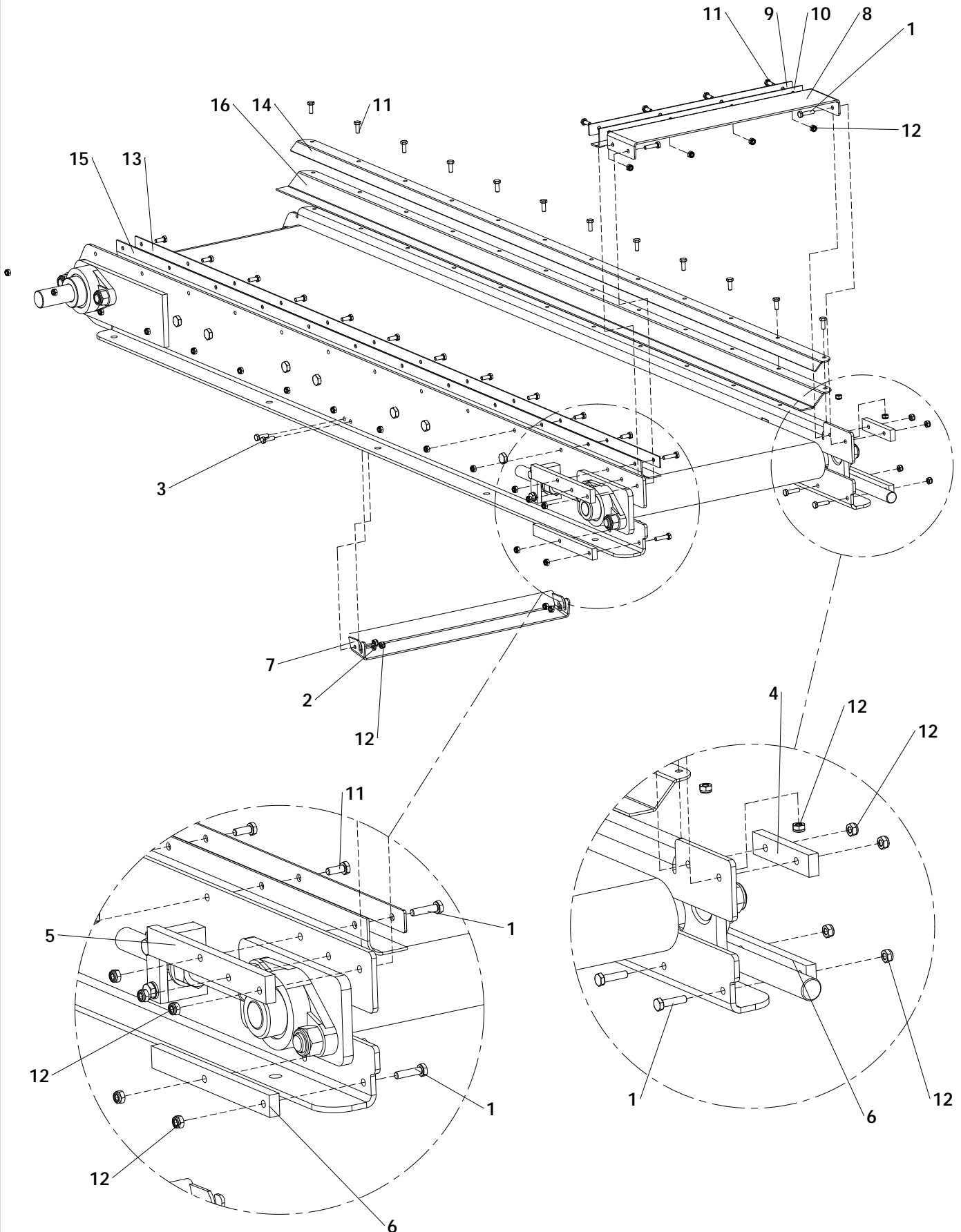
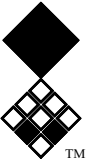
ITEM	PART NUMBER	DESCRIPTION	REMARKS	QUA
1	874.170.020	Copper washer 3_8		6
2	874.210.020	Copper washer 1_2		2
3	543.170.170	Nipple BSP 3_8" x 3_8" 60deg		1
4	536.170.700	SL Non-Return Valve 3/8", 0.5 bar		1
5	544.170.120	Nipple BSP 3_8" x pipe 12 (M18)		2
6	543.170.410	Flow reduced G3/8 x 12mm		1
7	544.121.120	Connector		1
8	544.124.126	T-connector		1
9	545.210.800	Quick connector male 1/2"		2
10	541.171.250	Hose NSK10-3/8"L=1250mm		1
11	541.171.250	Hose NSK10-3/8"L=1250mm		1
12	544.120.361	L-Connector		2
13	544.154.704	T-Connector		2
14	541.130.852	Hydraulic hose		1
15	541.130.852	Hydraulic hose		1

Dual hose system



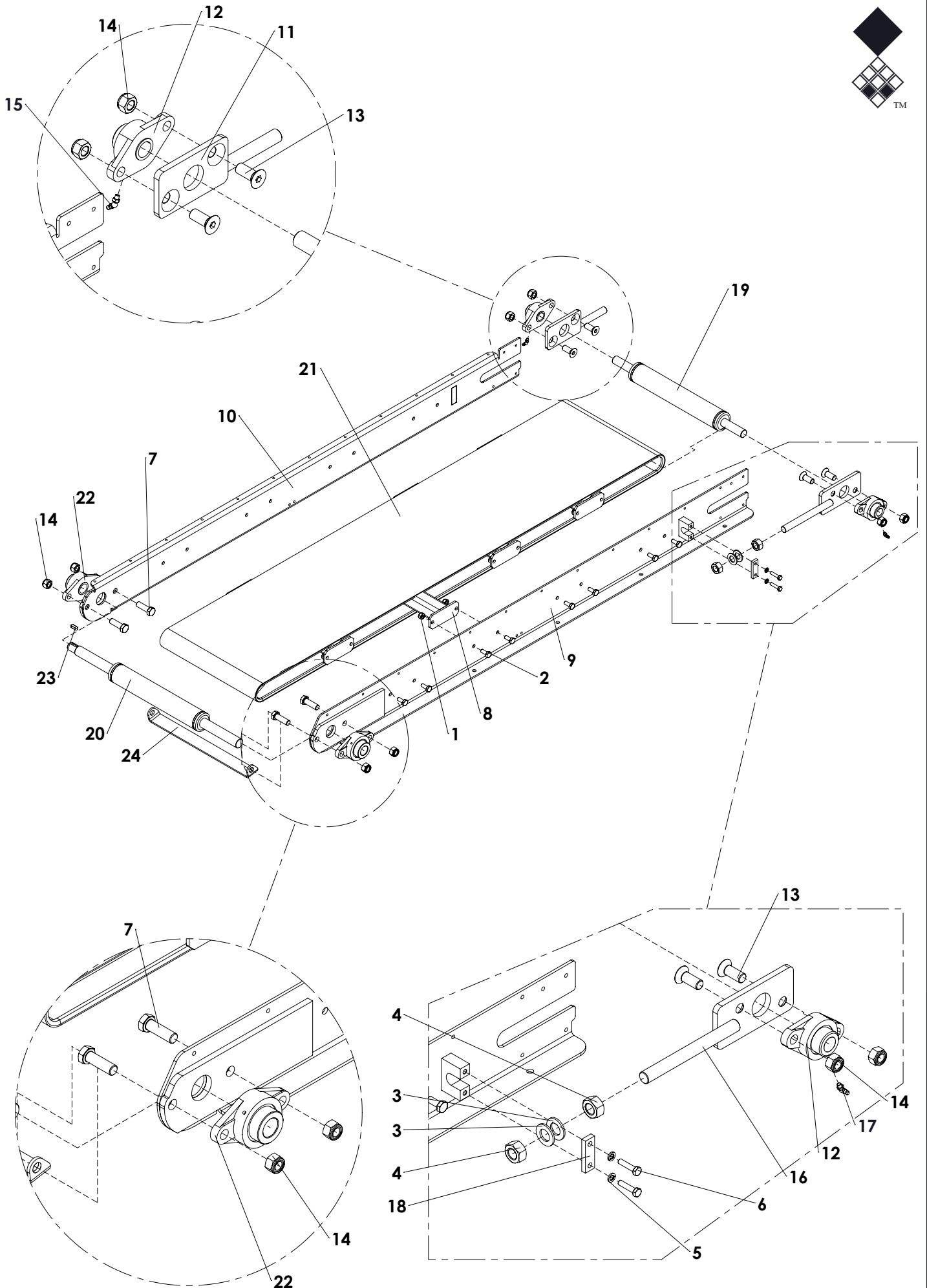
Redxim-Charterhouse Eliminator Pag 09 code 1220

	PART #	DESCRIPTION	REMARKS	QUA
1	622.144.271	Gearbox		1
2	472.357.700	Drive Shaft		1
3	820.121.300	Mushroom Head Bolt M12 x 130		1
4	864.160.031	Large Washer M16		1
5	884.080.450	Key 8x7x45		2
6	830.160.160	Self Lock Nut M16	Check on machine	6
	830.120.120	Self Lock Nut M12	Check on machine	4
7	742.300.480	Bearing UELFL 206		1
8	866.120.020	Spring Washer M12		4
9	804.120.250	Bolt M12 x 25		4
10	494.156.155	Main Frame		1
11	804.160.450	Bolt M16 x 45		2
12	646.021.503	Pulley SPB 150-3		1
13	648.302.517	Taperlock 2517 - Ø30mm		1
14	826.120.120	Nut M12		2
15	486.330.917	Brush	Check on machine, rotor shaft Ø25mm (1")	1
	486.350.919	Brush	Check on machine, rotor shaft Ø35mm (1.4")	1
16	884.080.500	Key 8x7x50	Check on machine, rotor shaft Ø25mm (1")	1
	884.100.500	Key 10x8x50	Check on machine, rotor shaft Ø35mm (1.4")	1
17	804.160.400	Bolt M16 x 40	Check on machine	4
	804.120.350	Bolt M12x35	Check on machine	2
18	642.162.360	V-Belt XPB 2360		3
19	648.252.517	Taperlock 2517 - Ø25mm	Check on machine, rotor shaft Ø25mm (1")	1
	648.352.517	Taperlock 2517 - Ø35mm	Check on machine, rotor shaft Ø35mm (1.4")	1
20	646.021.603	Pulley SPB 160-3		1
21	742.250.430	Bearing UELFL 205	Check on machine, rotor shaft Ø25mm (1")	2
	742.350.530	Bearing UELFL 207	Check on machine, rotor shaft Ø35mm (1.4")	2
22	830.080.080	Self Lock Nut M12		1
23	864.120.031	Large Washer M12		1
24	713.300.160	Bearing 6206-2RS		2
25	402.130.920	Bush Idler		1
26	406.310.150	Distance Bush		1
27	428.651.400	Idler		1
28	406.310.460	Distance Bush		1
29	470.101.000	Tensioner		1
30	804.160.800	Bolt M16 x 80	Check on machine	2
	804.120.350	Bolt M12x35	Check on machine	2

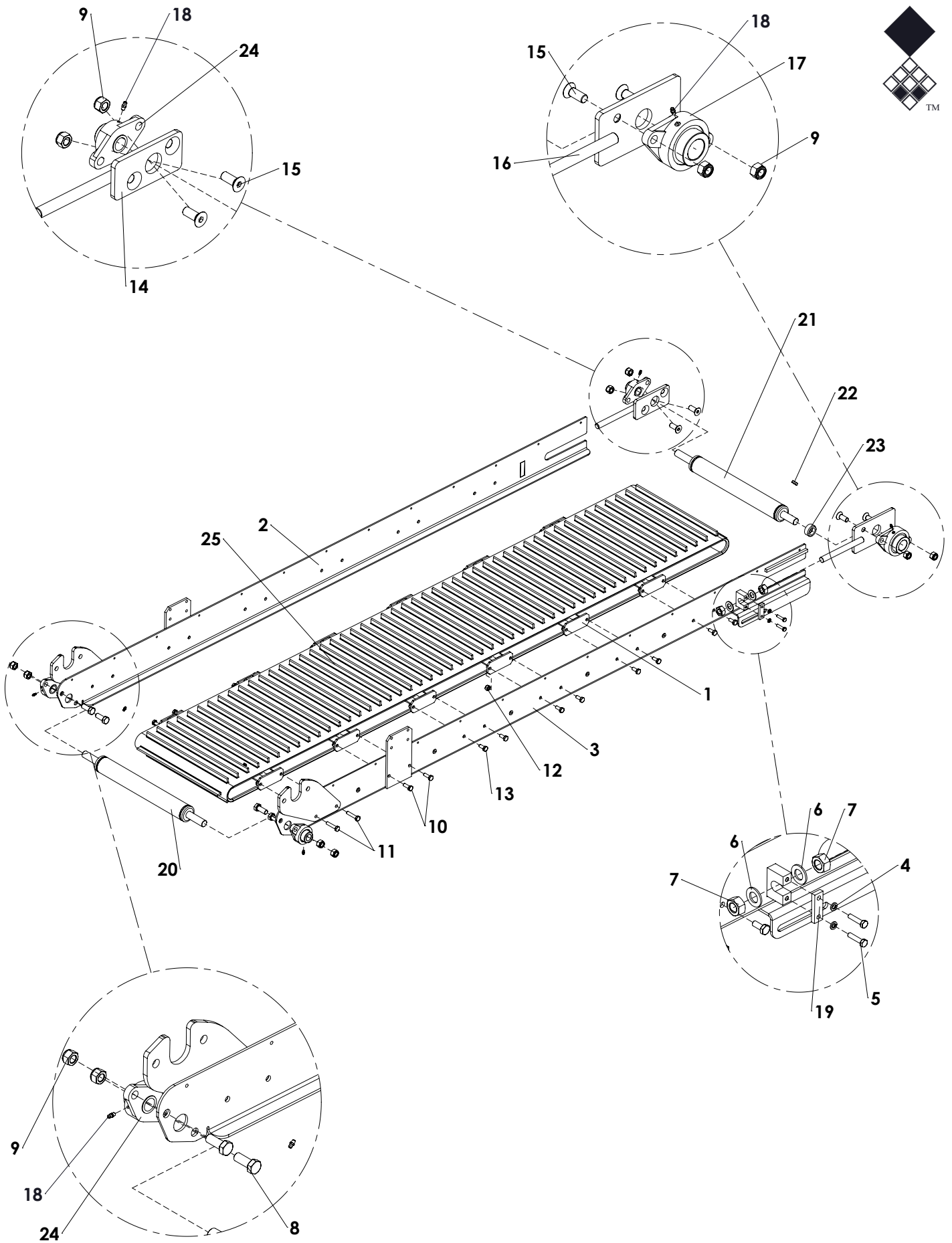


BOM Table(Restructured)

ITEM	PART NUMBER	DESCRIPTION	REMARKS	QUA
1	804.060.250	Bolt M6 x 25 - ISO 4017		9
2	864.060.030	Washer M6 - ISO 7089		2
3	804.060.200	Bolt M6 x 20 - ISO 4017		4
4	464.100.900	Guide strip		1
5	464.101.902	Strip		1
6	464.101.900	Strip		2
7	470.034.190	Scraper		1
8	466.034.200	Cover		1
9	464.024.150	Mounting strip		1
10	446.024.150	Rubber infill guard		1
11	804.060.160	Bolt M6 x 16 - ISO 4017		27
12	830.060.060	Self Lock Nut M6 - ISO 10511		40
13	464.029.160	Mounting strip		1
14	468.029.170	Lock strip		1
15	446.029.160	Rubber infill guard		1
16	446.029.162	Rubber infil guard		1



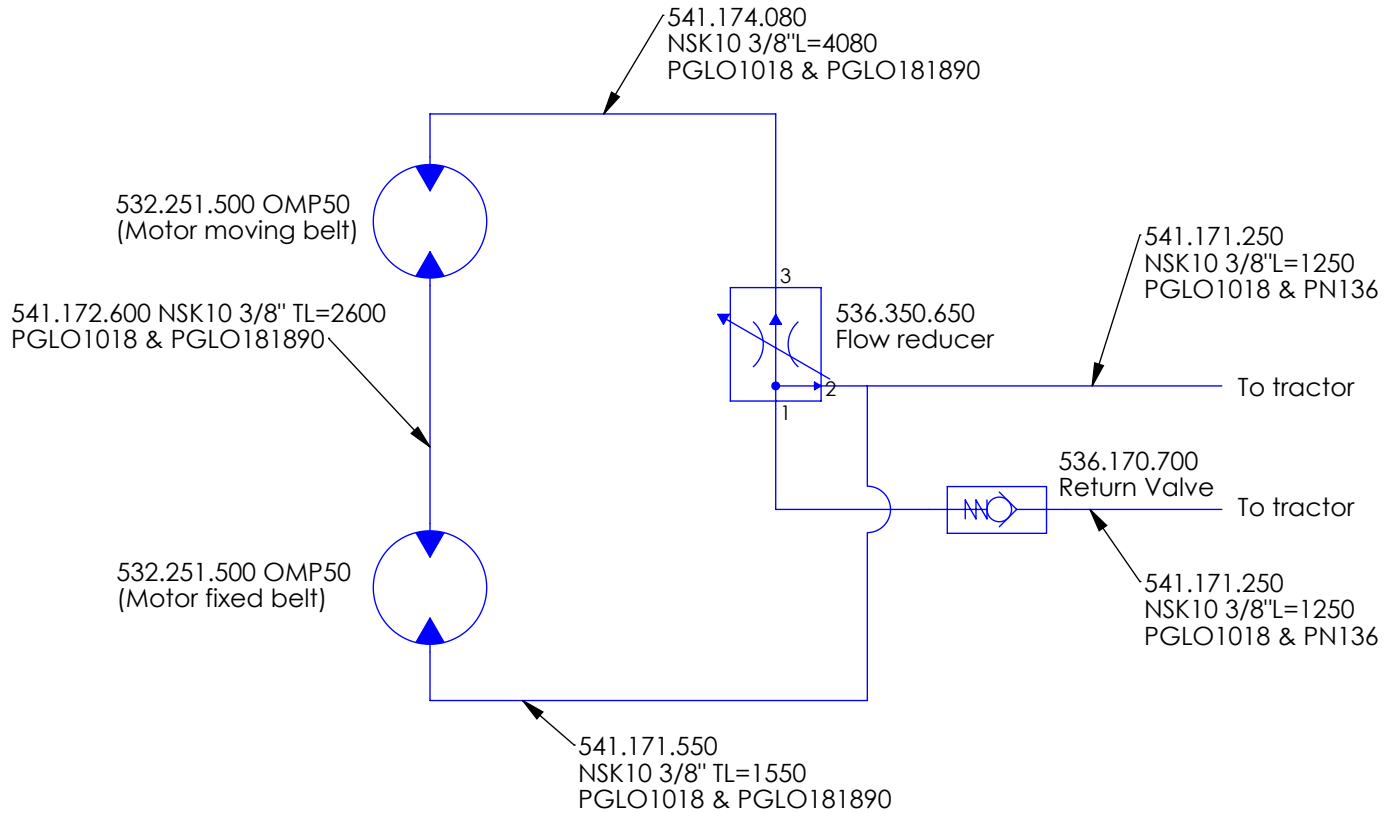
ITEM	PART NUMBER	DESCRIPTION	REMARKS	QUA
1	830.100.100	Self Lock Nut M10 - ISO 10511		16
2	804.100.250	Bolt M10 x 25 - ISO 4017		16
3	864.200.030	Washer M20 - ISO 7089		2
4	826.200.200	Nut M20 - DIN 934		2
5	866.080.020	Spring Washer M8 - DIN 127		2
6	804.080.350	Bolt M8 x 35 - ISO 4017		2
7	804.160.500	Bolt M16 x 50 - ISO 4017		4
8	478.504.200	Frame stud		4
9	494.183.140	Right side plate		1
10	494.183.142	Left side plate		1
11	466.103.100	Tensioner		1
12	742.250.430	Bearing UELFL205		2
13	816.160.400	Bolt M16 x 40 - DIN 7991		4
14	830.160.160	Self Lock Nut M16 - ISO 10511		8
15	880.060.104	Grease nipple M6 45deg. DIN 71412B		1
16	466.103.350	Tensioner		1
17	880.060.102	Grease nipple M6 90deg		1
18	464.080.600	Lock strip		1
19	478.605.500	Belt roller		1
20	478.606.570	Belt roller		1
21	492.089.165	Conveyor Belt		1
22	742.300.480	Bearing UELFL 206		2
23	884.080.250	Key 8x7x25 - DIN 6885		1
24	464.054.200	Conveyor belt end gaurd		1



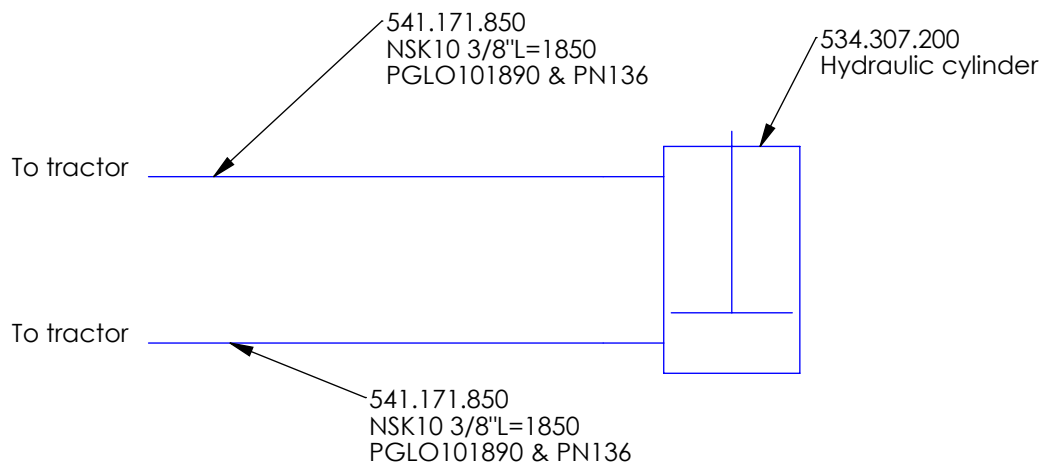
ITEM	PART NUMBER	DESCRIPTION	REMARKS	QUA
1	478.505.160	Frame stud		6
2	494.259.235	Side plate		1
3	494.259.250	Side plate		1
4	866.080.020	Spring Washer M8 - DIN 127		4
5	804.080.350	Bolt M8 x 35 - ISO 4017		4
6	864.200.030	Washer M20 - ISO 7089		4
7	826.200.200	Nut M20 - DIN 934		4
8	804.160.400	Bolt M16 x 40 - ISO 4017		4
9	830.160.160	Self Lock Nut M16 10.9 - ISO 10511		8
10	804.100.300	Bolt M10 x 30 - ISO 4017		4
11	802.100.500	Bolt M10 x 50 - ISO 4014		4
12	830.100.100	Self Lock Nut M10 - ISO 10511		24
13	804.100.250	Bolt M10 x 25 - ISO 4017		16
14	466.103.350	Tensioner		1
15	816.160.400	Bolt M16 x 40 - DIN 7991		4
16	470.103.700	Tensioner		1
17	748.400.560	Bearing UELFL 208		1
18	880.060.100	Grease nipple M6 DIN 71412A		4
19	464.080.600	Lock strip		2
20	478.606.620	Belt roller		1
21	478.606.180	Belt roller		1
22	884.080.250	Key 8x7x25 - DIN 6885		1
23	406.260.402	Distance bush		1
24	742.250.430	Bearing UELFL205		3
25	492.289.240	Conveyor belt		1

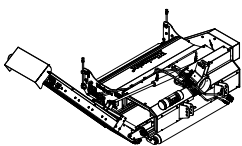
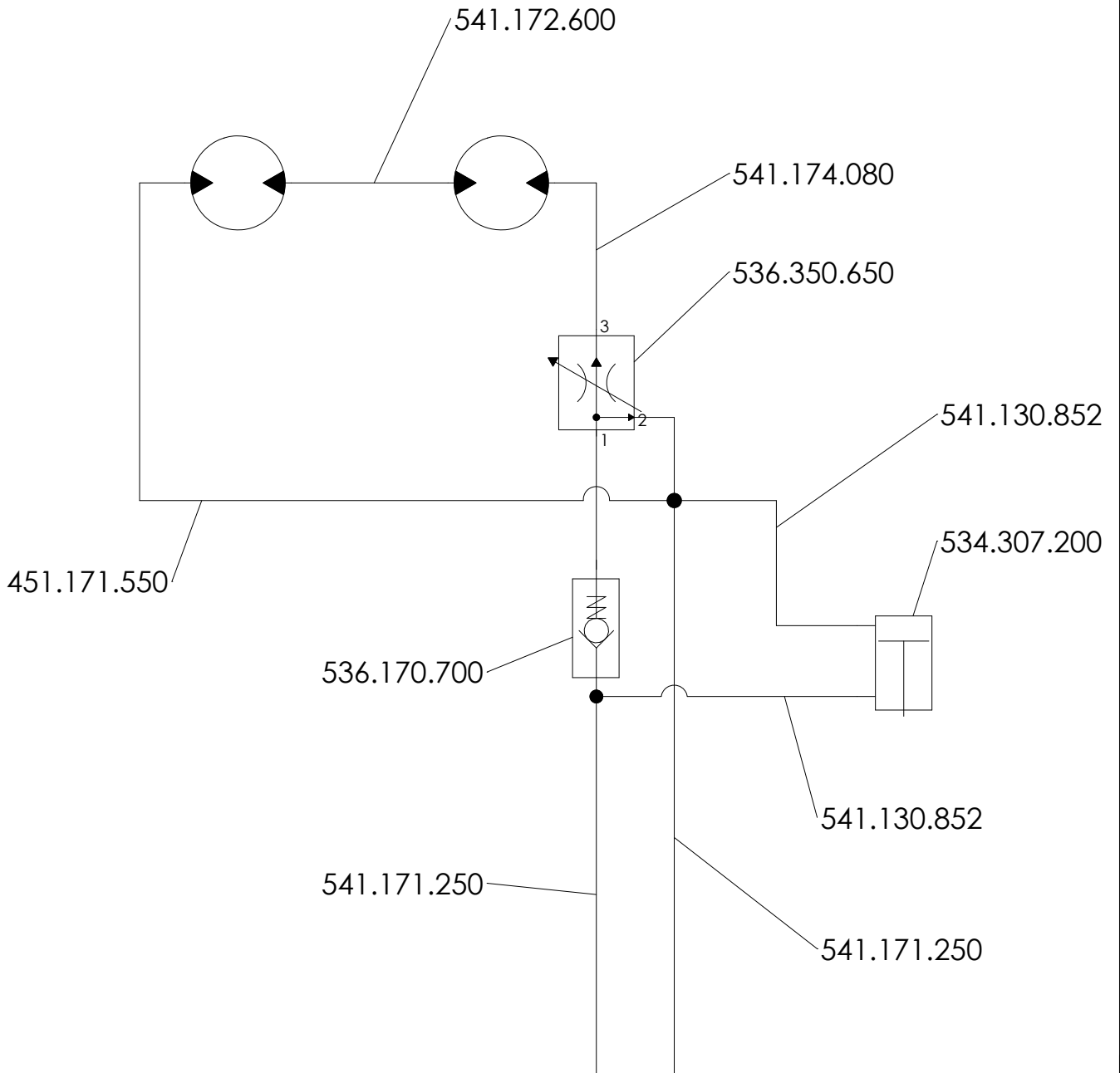
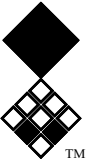


Hydraulic scheme belt motors



Lifting Cylinder Belt





Dual hose system