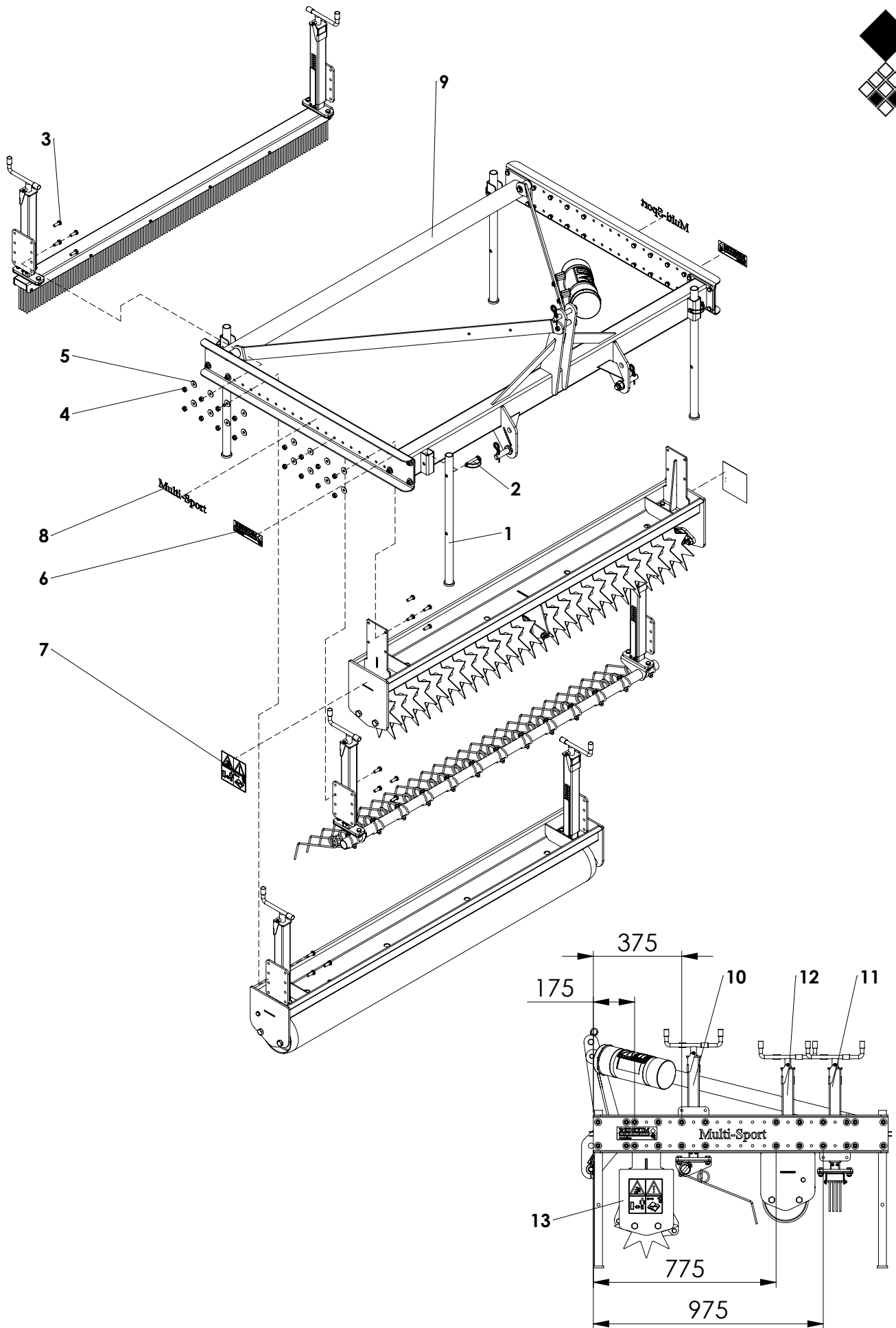
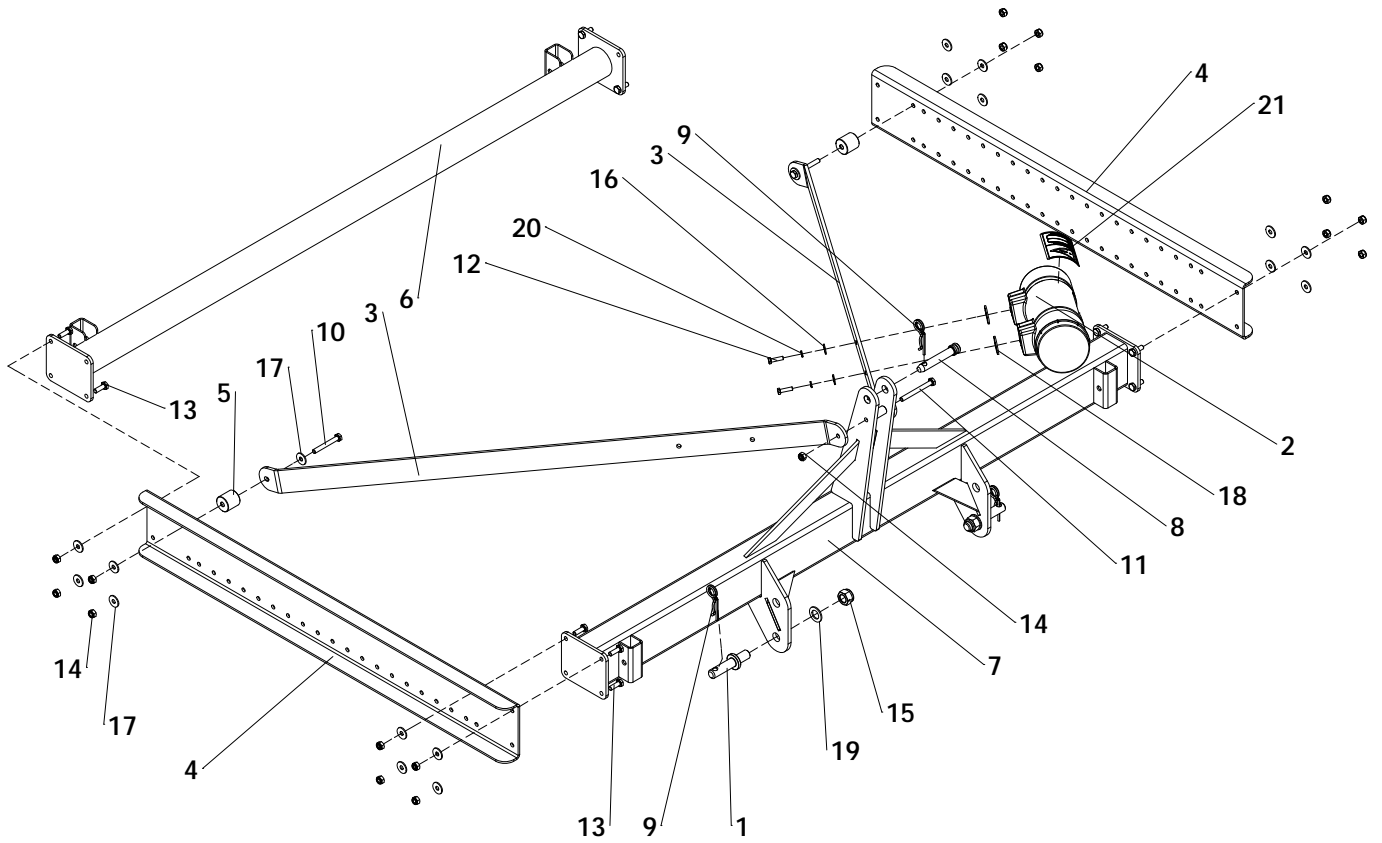
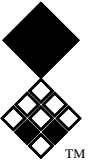


Parts manual

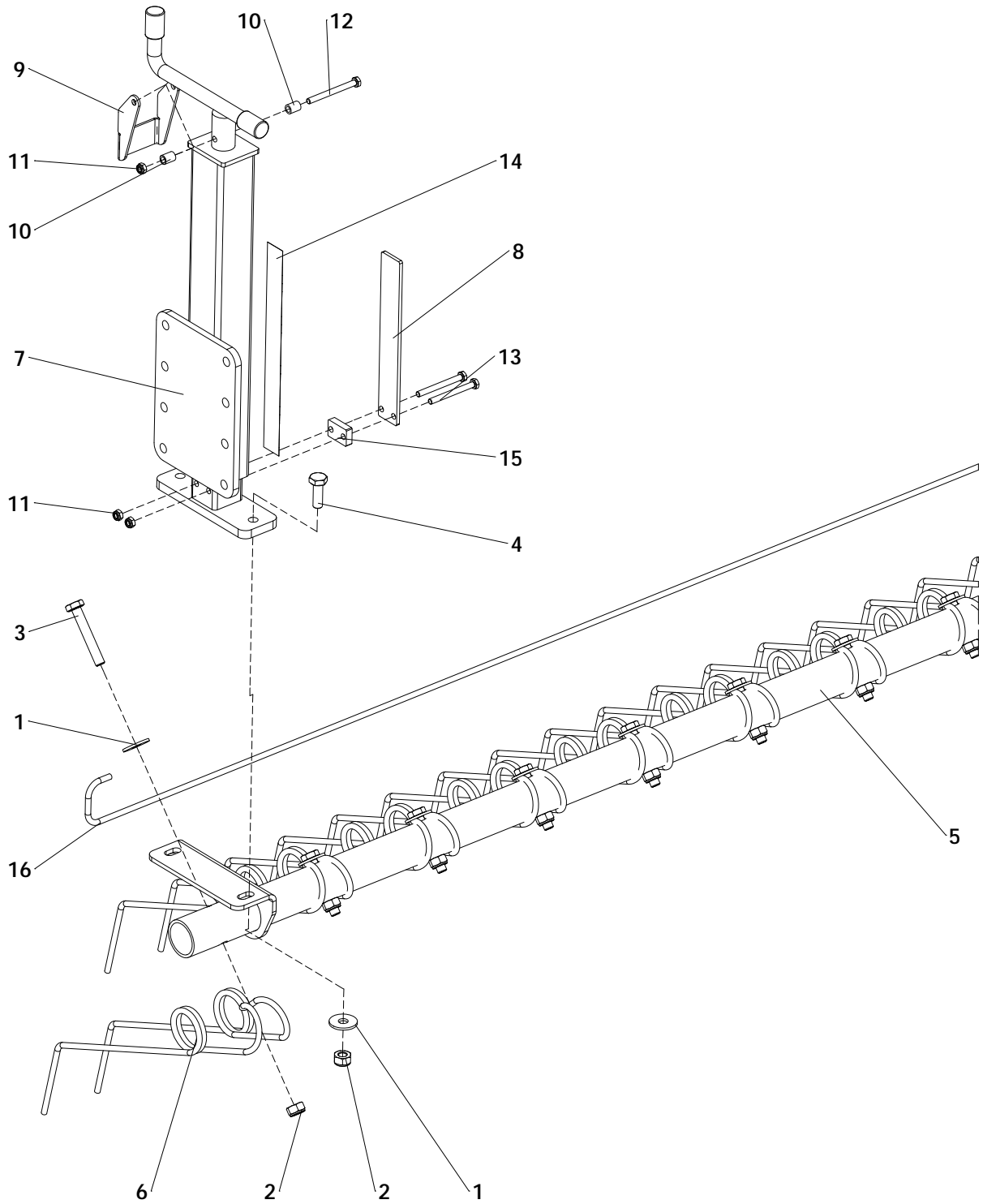
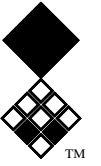




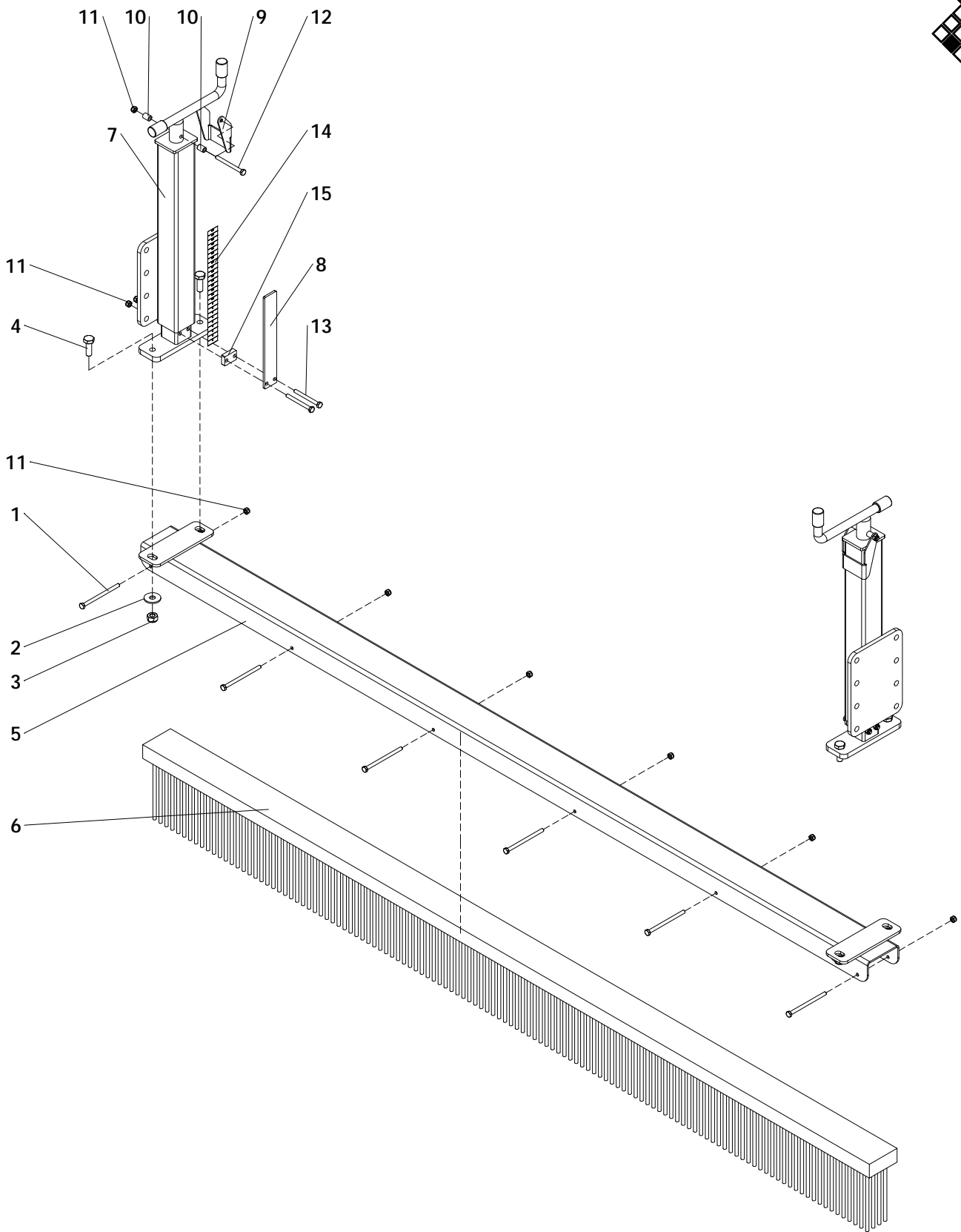
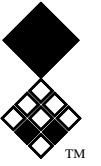
ITEM	PART NUMBER	DESCRIPTION	REMARKS	QUA
1	474.336.280	Leg		4
2	523.100.700	Pipe linch pin Ø10		4
3	804.100.300	Bolt M10 x 30 - ISO 4017		32
4	830.100.100	Self Lock Nut M10 - ISO 10511		32
5	864.100.031	Large washer M10 - DIN 9021		32
6	900.260.403	Logo Label		2
7	933.280.402	Safety decall Rink Verti-Top		2
8	961.260.000	Decall Multi-sport		2
9		Asembly Main Frame	Page 02	
10		Rake assembly	Page 03	
11		Brush assembly	Page 04	
12		Roller assembly	Page 05	
13		Rotor assembly	Page 06	



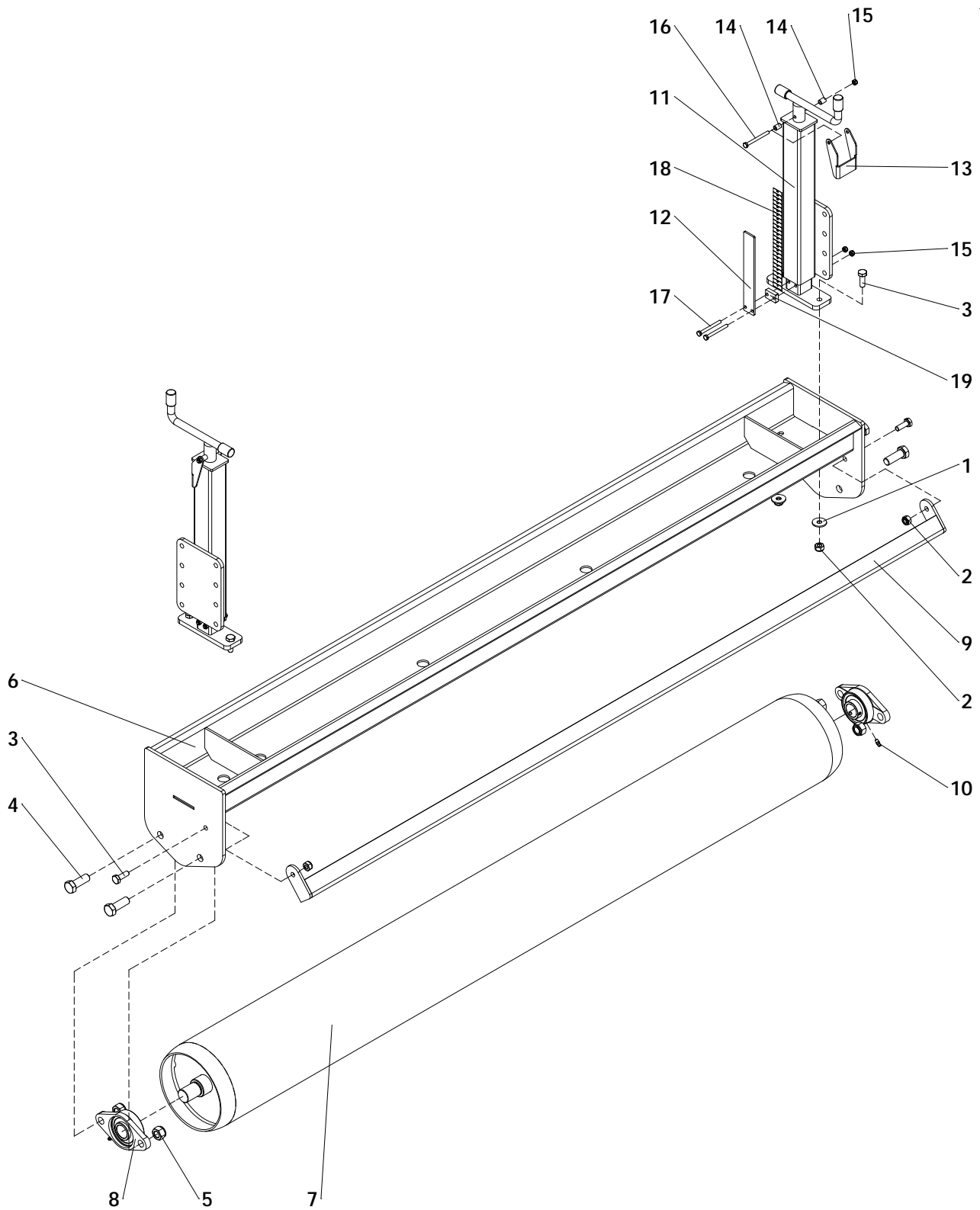
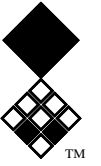
ITEM	PART NUMBER	DESCRIPTION	REMARKS	QUA
1	2490881	Bottom 3-Point Pin		2
2	444.803.100	Toolbox Complete		1
3	464.089.120	Brace		2
4	468.160.125	Profile 160x1250		2
5	472.400.400	Bush		2
6	494.180.015	Pipe		1
7	494.180.021	Front Bar		1
8	521.191.120	Top Link Pin		1
9	523.051.000	R-clip Round 5, DIN 11024		3
10	802.100.800	Bolt M10 x 80 - ISO 4014		2
11	802.101.000	Bolt M10 x 100 - ISO 4014		1
12	804.080.300	Bolt M8 x 30 - ISO 4017		2
13	804.100.300	Bolt M10 x 30 - ISO 4017		14
14	830.100.100	Self Lock Nut M10 - ISO 10511		17
15	830.220.220	Self Lock Nut M22 - ISO 10511		2
16	864.080.024	Large washer M8 - DIN 9021		2
17	864.100.031	Large washer M10 - DIN 9021		18
18	864.140.031	Large washer M14 - DIN 9021		2
19	864.220.030	Washer M22 - ISO 7089		2
20	866.080.020	Spring Washer M8 - DIN 127		2
21	900.280.402	Safety decall manual		1



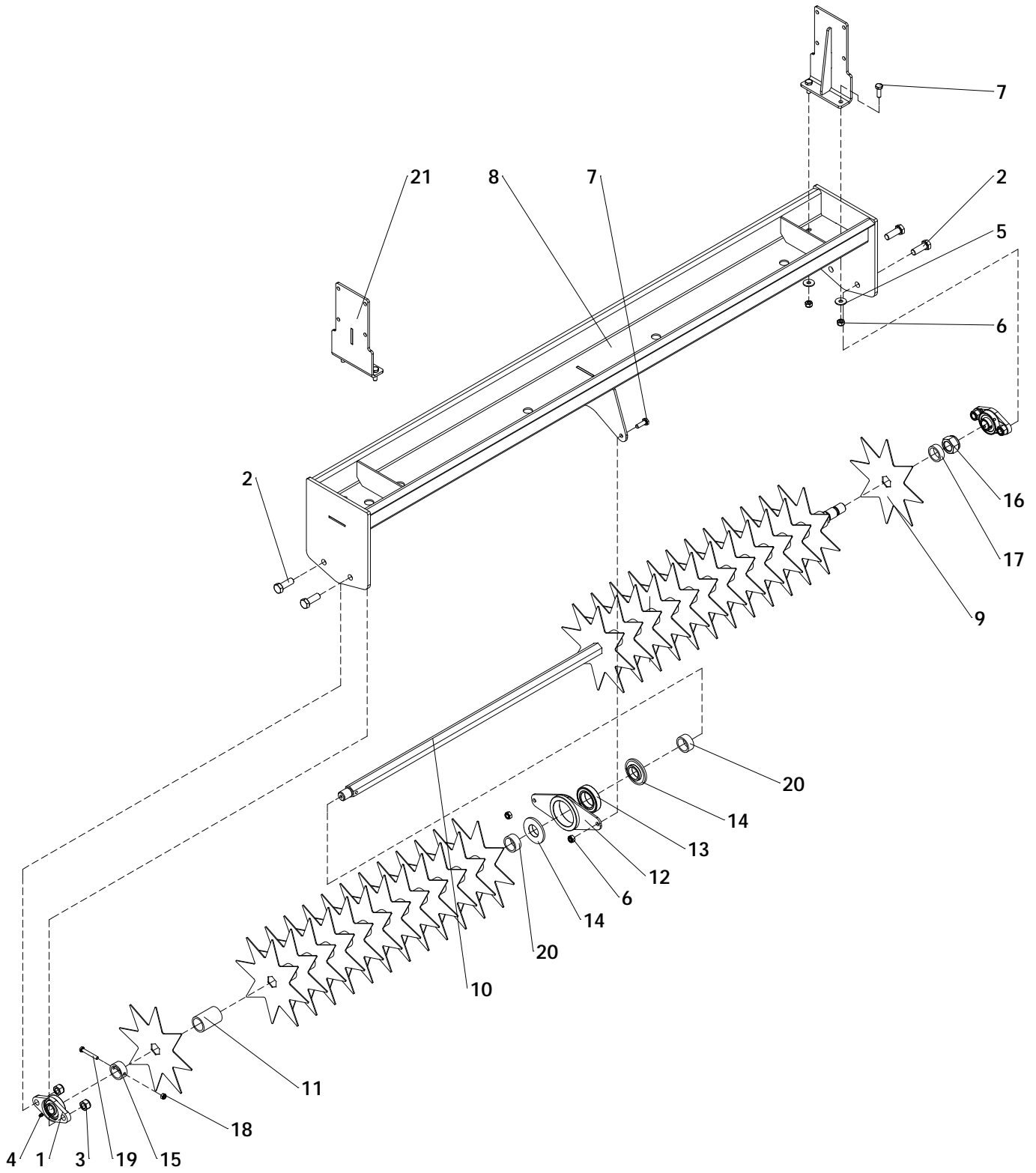
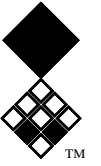
ITEM	PART NUMBER	DESCRIPTION	REMARKS	QUA
1	864.100.031	Large washer M10 - DIN 9021		17
2	830.100.100	Self Lock Nut M10 - ISO 10511		17
3	802.100.650	Bolt M10 x 65 - ISO 4014		13
4	804.100.300	Bolt M10 x 30 - ISO 4017		4
5	494.187.015	Rake bar		1
6	361.505.390	Tine for Verti-Rake		13
7	460.500.500	Jack 50x50 stroke 150		2
8	464.042.002	Height indicator strip		2
9	468.031.180	Lock Plate		2
10	402.070.140	Distance Bush		4
11	830.060.060	Self Lock Nut M6 - ISO 10511		6
12	802.060.650	Bolt M6 x 65 - ISO 4014		2
13	802.060.600	Bolt M6 x 60 - ISO 4014		4
14	900.260.414	Decall Ruler		2
15	464.080.300	Distance Block		2
16	899.080.150	Rope for spring tines		1



ITEM	PART NUMBER	DESCRIPTION	REMARKS	QUA
1	802.060.900	Bolt M6 x 90 - ISO 4014		6
2	864.100.031	Large washer M10 - DIN 9021		4
3	830.100.100	Self Lock Nut M10 - ISO 10511		4
4	804.100.300	Bolt M10 x 30 - ISO 4017		4
5	470.039.180	Brush holder		1
6	486.151.800	Brush 130mm, WL=1800		1
7	460.500.500	Jack 50x50 stroke 150		2
8	464.042.002	Height indicator strip		2
9	468.031.180	Lock Plate		2
10	402.070.140	Distance Bush		4
11	830.060.060	Self Lock Nut M6 - ISO 10511		12
12	802.060.650	Bolt M6 x 65 - ISO 4014		2
13	802.060.600	Bolt M6 x 60 - ISO 4014		4
14	900.260.414	Decall Ruler		2
15	464.080.300	Distance Block		2



ITEM	PART NUMBER	DESCRIPTION	REMARKS	QUA
1	864.100.031	Large washer M10 - DIN 9021		4
2	830.100.100	Self Lock Nut M10 - ISO 10511		6
3	804.100.300	Bolt M10 x 30 - ISO 4017		6
4	804.160.450	Bolt M16 x 45 - ISO 4017		4
5	830.160.160	Self Lock Nut M16 - ISO 10511		4
6	470.049.191	Roller frame		1
7	488.194.187	Front roller		1
8	742.300.400	Bearing UCFL206		2
9	470.049.192	Scraper		1
10	880.060.100	Grease nipple M6 DIN 71412A		2
11	460.500.500	Jack 50x50 stroke 150		2
12	464.042.002	Height indicator strip		2
13	468.031.180	Lock Plate		2
14	402.070.140	Distance Bush		4
15	830.060.060	Self Lock Nut M6 - ISO 10511		6
16	802.060.650	Bolt M6 x 65 - ISO 4014		2
17	802.060.600	Bolt M6 x 60 - ISO 4014		4
18	900.260.414	Decall Ruler		2
19	464.080.300	Distance Block		2



ITEM	PART NUMBER	DESCRIPTION	REMARKS	QUA
1	742.250.360	Bearing UCFL 205		2
2	804.160.450	Bolt M16 x 45 - ISO 4017		4
3	830.160.160	Self Lock Nut M16 - ISO 10511		4
4	880.060.100	Grease nipple M6 DIN 71412A		2
5	864.100.031	Large washer M10 - DIN 9021		4
6	830.100.100	Self Lock Nut M10 - ISO 10511		6
7	804.100.300	Bolt M10 x 30 - ISO 4017		6
8	494.191.272	Spiker frame		1
9	361.303.270	Spiker plate		26
10	422.309.190	Spiker mountingrod		1
11	406.350.670	Spacer 44.5 x 4.5 L=67.5		24
12	470.242.600	Bearing house		1
13	713.450.160	Bearing 6009-LLU		1
14	404.350.130	Centrer bearing bush L=13		2
15	406.360.200	Spacer L=20		1
16	830.270.274	Self Lock Nut M27 - ISO 10511		1
17	406.360.150	Spacer L=15		1
18	830.080.080	Self Lock Nut M8 - ISO 10511		1
19	802.080.550	Bolt M8 x 55 - ISO 4014		1
20	406.350.190	Spacer 44.5x4.5 L= 19.7		2
21	470.062.460	Bracket		2