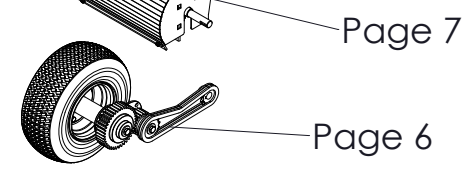
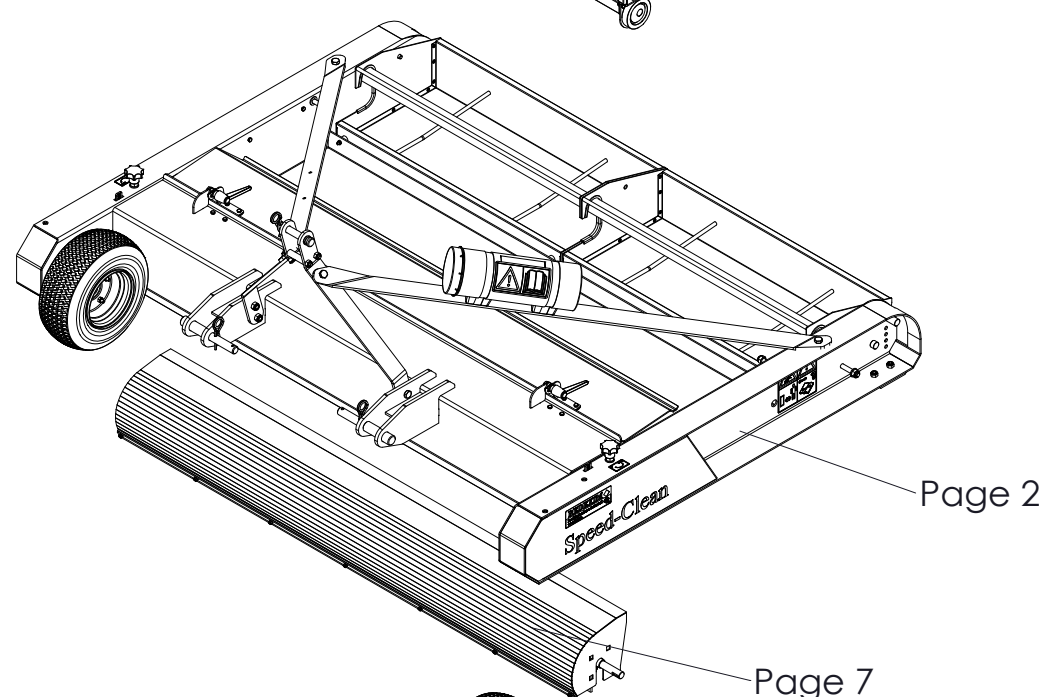
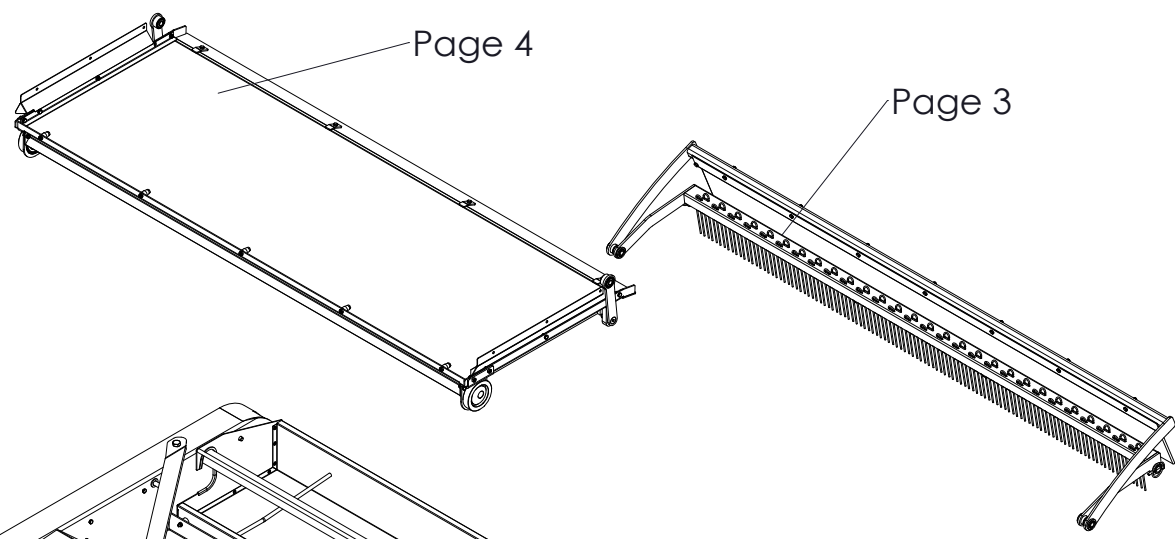
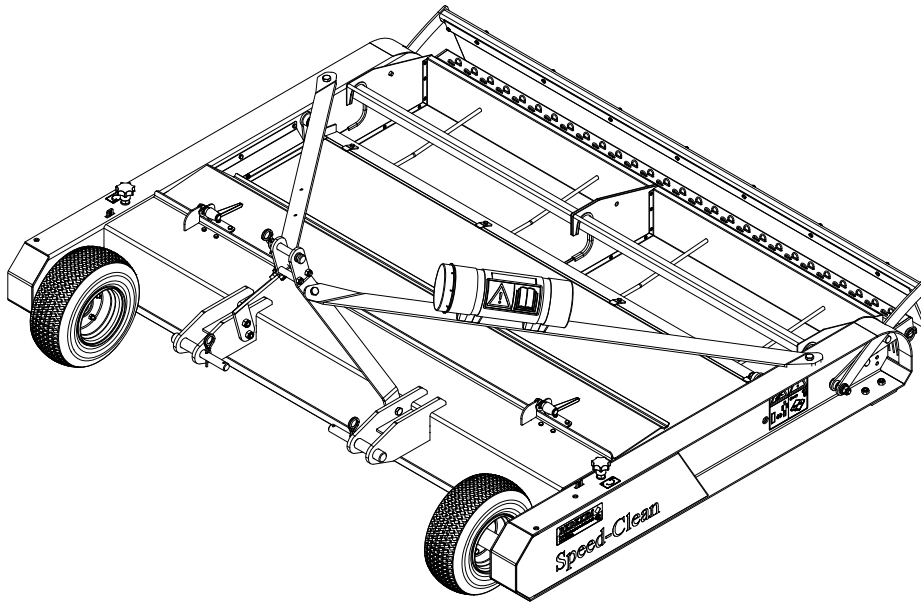
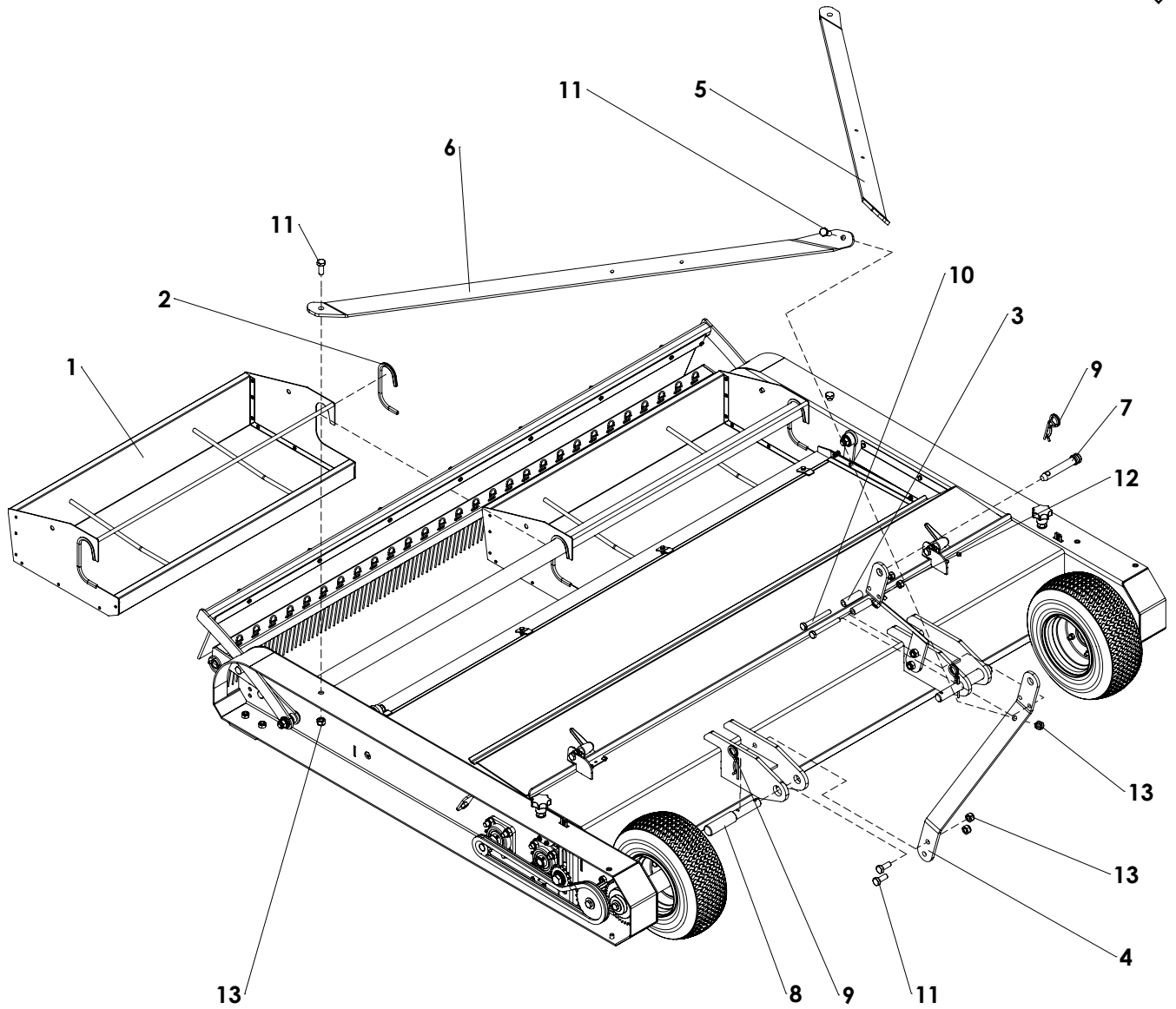
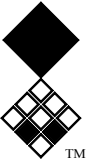


Parts manual

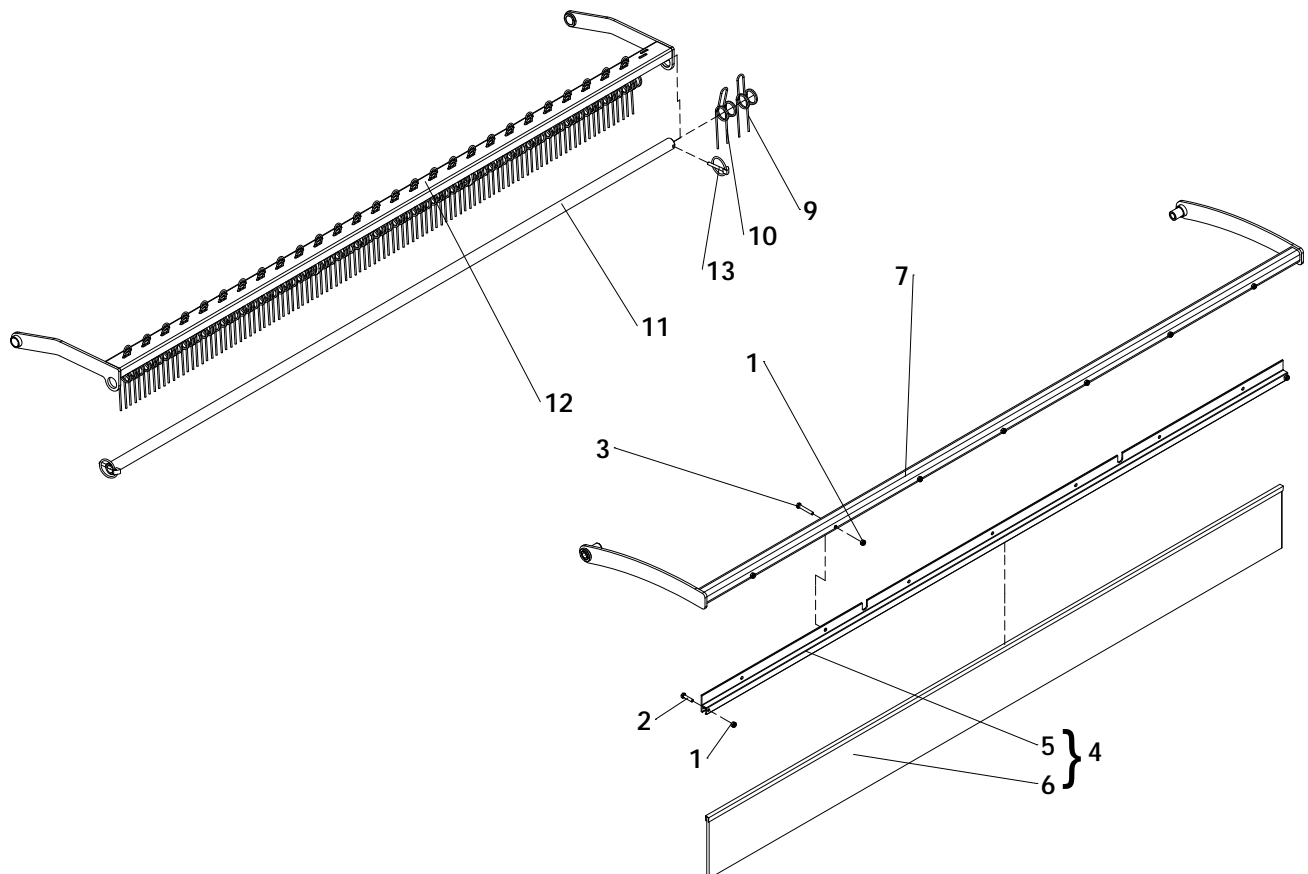
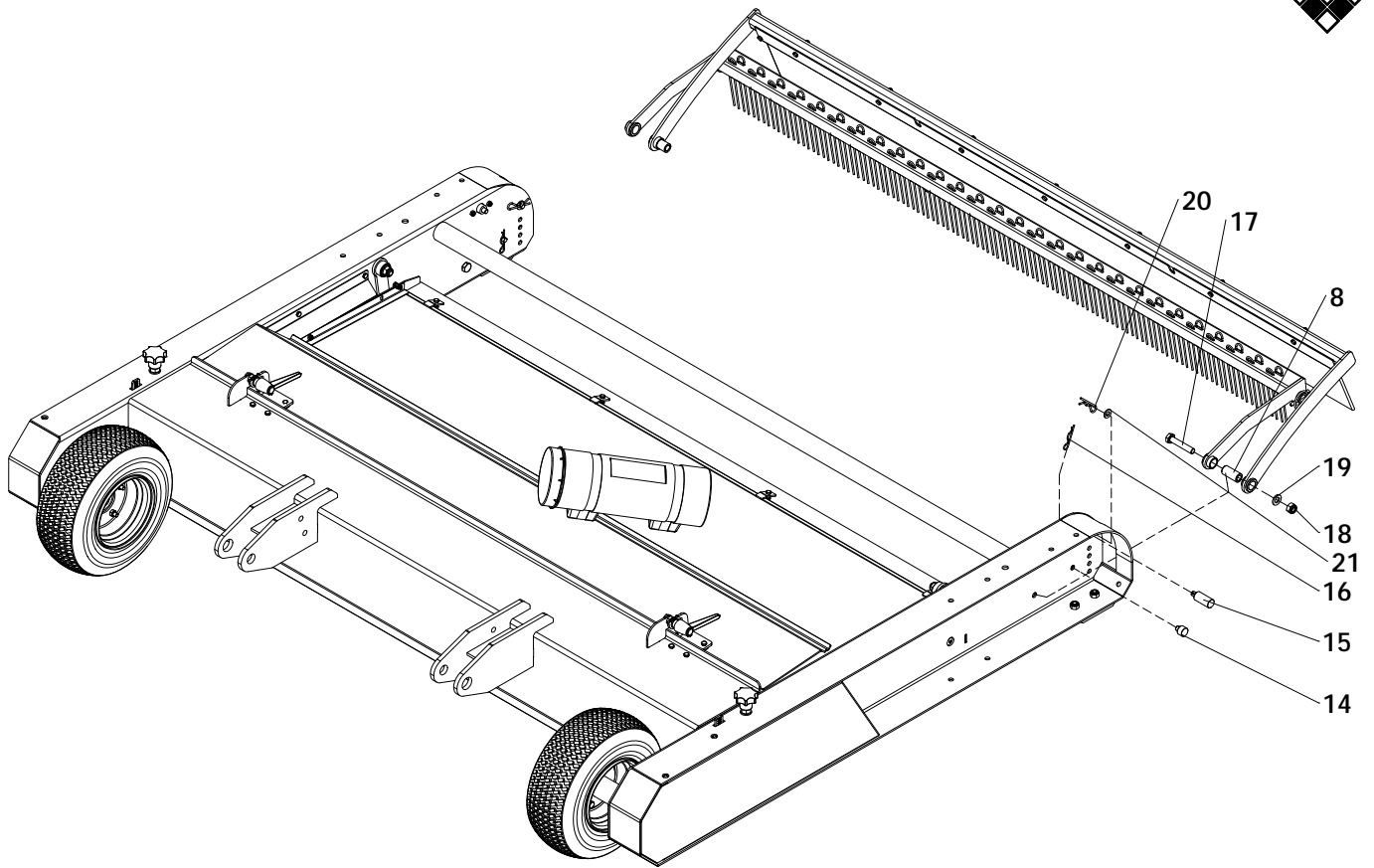




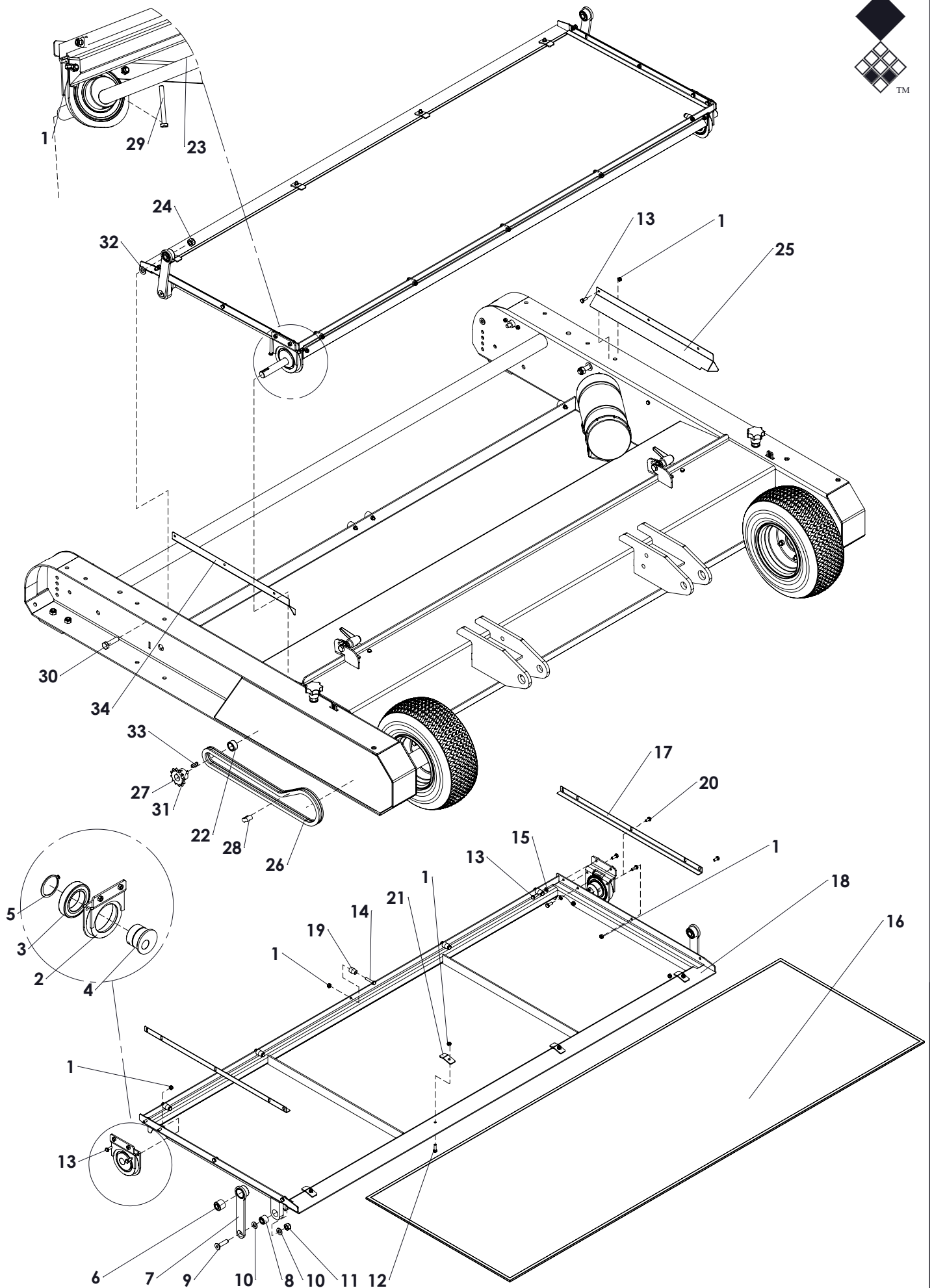
Decals & covers : Page 08



ITEM	PART NUMBER	DESCRIPTION	REMARKS	QUA
1	470.205.846	Hopper frame		2
2	446.101.200	Rubber U-seal 1-4m L=250		4
3	406.100.600	Spacer		2
4	464.086.240	3-point strip		2
5	464.089.140	Frame strip right		1
6	464.089.142	Frame strip left		1
7	521.191.120	Top Link Pin		1
8	521.221.600	3-point pin		2
9	523.051.000	R-clip Round 5, DIN 11024		3
10	802.100.900	Bolt M10 x 90 - ISO 4014		2
11	804.120.300	Bolt M12 x 30 - ISO 4017		8
12	830.100.100	Self Lock Nut M10 - ISO 10511		2
13	830.120.120	Self Lock Nut M12 - ISO 10511		8

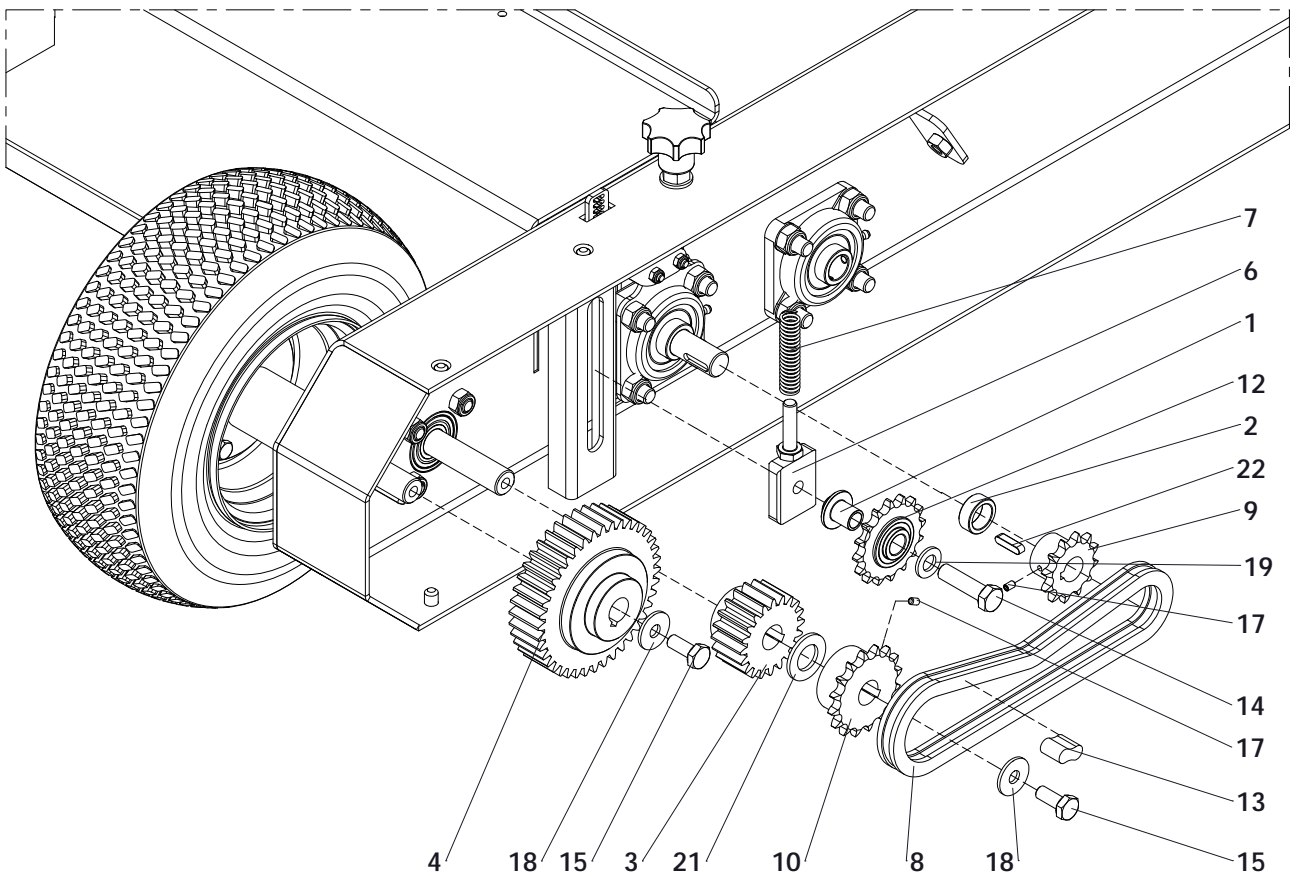
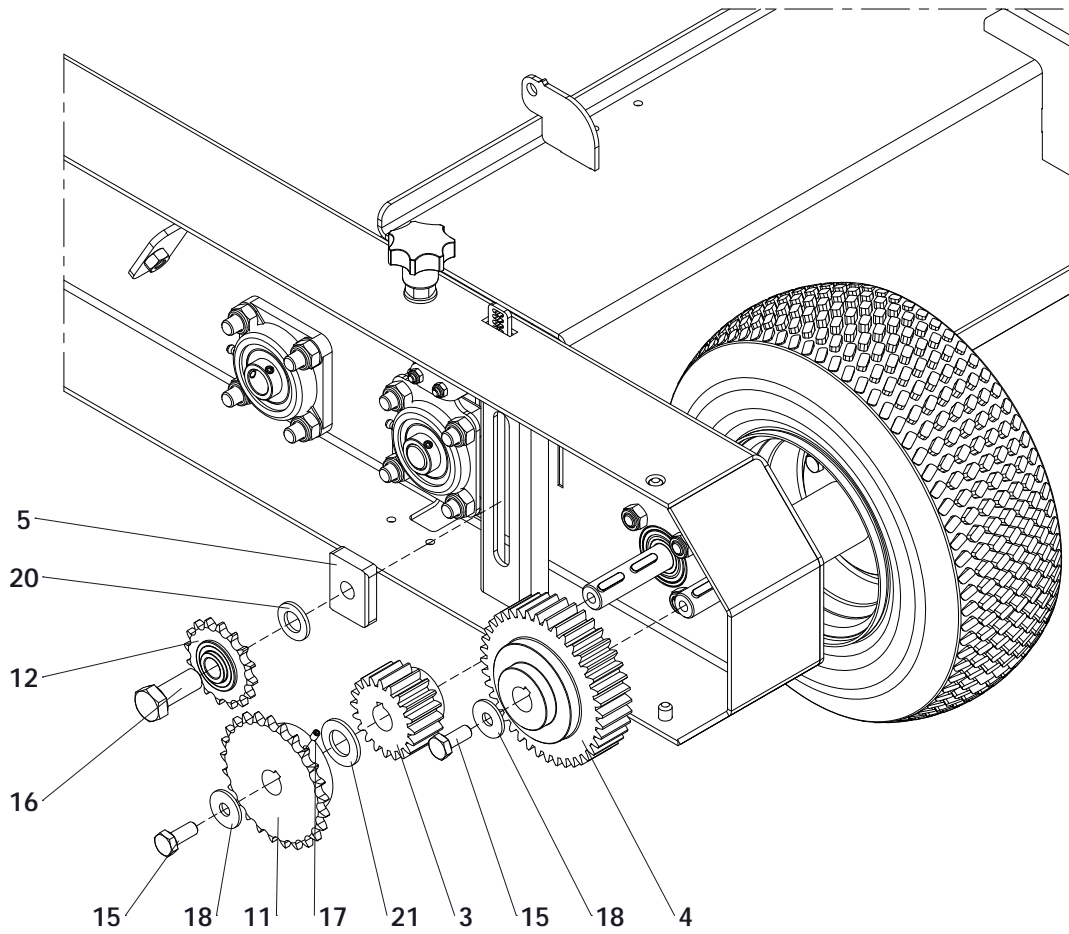


ITEM	PART NUMBER	DESCRIPTION	REMARKS	QUA
1	830.060.060	Self Lock Nut M6 - ISO 10511		9
2	804.060.250	Bolt M6 x 25 - ISO 4017		2
3	802.060.400	Bolt M6 x 40 - ISO 4014		7
4	486.021.730	Rear brush		1
5	486.171.730	H-profile L=1740		1
6	486.021.450	Brush WL=145 L=1720		1
7	462.090.917	Brush frame		1
8	402.120.430	Distance bush Ø20/Ø12 L=43		2
9	361.103.157	Tine for rake VT	Straight	28
10	361.103.158	Tine for rake VT	Bent	28
11	476.025.917	Rake tube		1
12	470.029.182	Rake frame		1
13	523.060.320	Linch pin Ø6		2
14	418.200.210	Rake stop		2
15	418.200.500	Brush stop		2
16	523.020.570	R-Clip D=2		2
17	802.120.650	Bolt M12 x 65 - ISO 4014		2
18	830.120.120	Self Lock Nut M12 - ISO 10511		2
19	864.120.030	Washer M12 - ISO 7089		2
20	523.030.570	R-Clip D=3		2
21	864.100.030	Washer M10 - ISO 7089		2

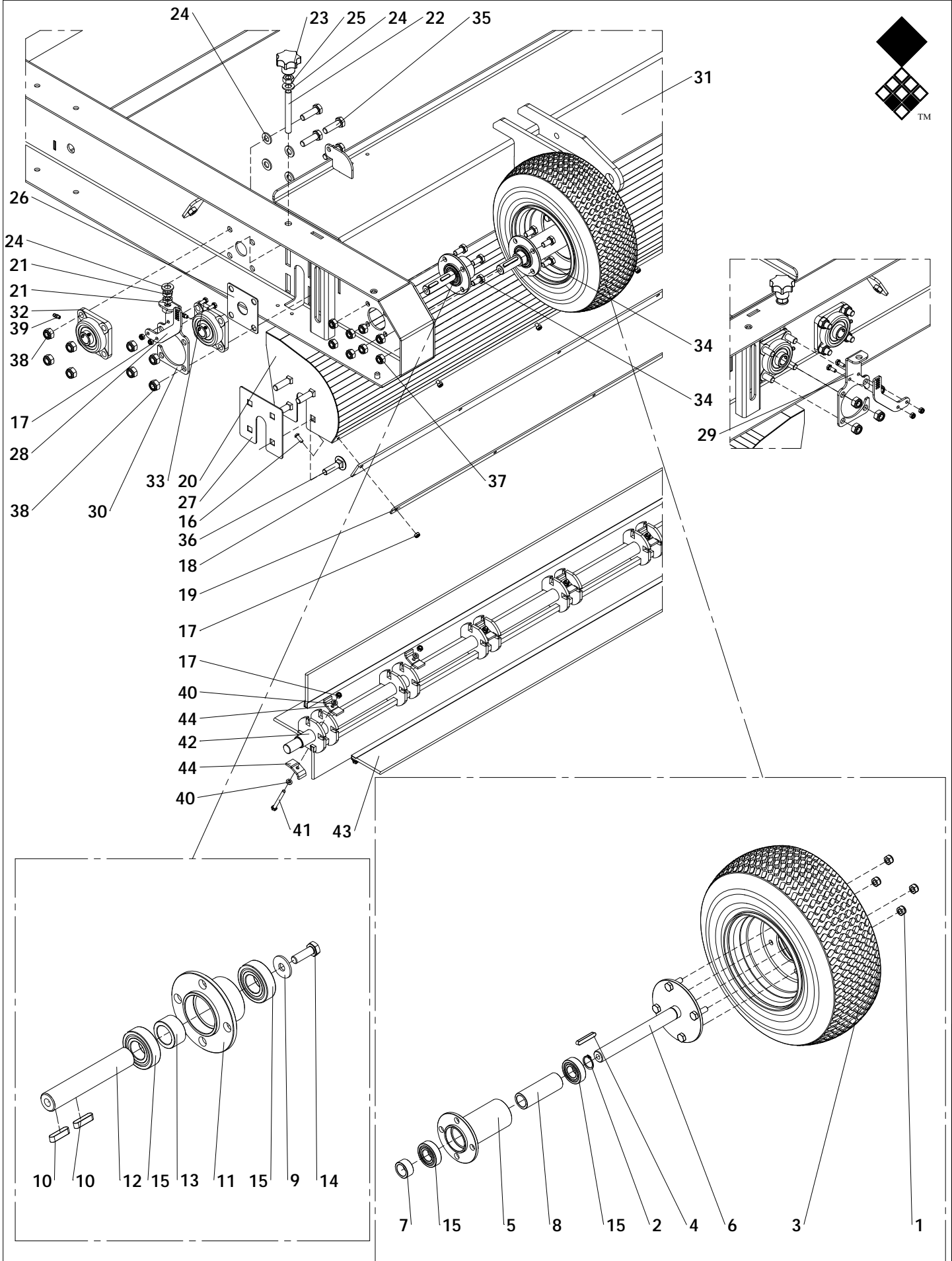
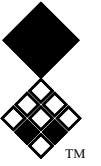


ITEM	PART NUMBER	DESCRIPTION	REMARKS	QUA
1	830.060.060	Self Lock Nut M6 - ISO 10511		25
2	478.128.029	Sieve bearing		2
3	713.450.160	Bearing 6009-2RS		2
4	404.450.400	Sieve bush		2
5	870.045.180	Circlip DIN 471 - 45 x 1.75		2
6	572.120.240	Vibration damper Ø26/Ø12 L=24		2
7	470.061.652	Sieve arm		2
8	572.100.170	Vibration damper Ø22/Ø10 L=17		2
9	816.100.400	Bolt M10 x 40 - DIN 7991		2
10	864.100.030	Washer M10 - ISO 7089		4
11	830.100.100	Self Lock Nut M10 - ISO 10511		2
12	804.060.200	Bolt M6 x 20 - ISO 4017		4
13	804.060.160	Bolt M6 x 16 - ISO 4017		14
14	804.060.300	Bolt M6 x 30 - ISO 4017		5
15	866.060.020	Spring Washer M6 - DIN 127		4
16	458.069.161	Sieve Mesh 5x5 L=1670	Standard with machine	1
	458.069.162	Sieve Mesh 3.2x3.2 L=1670	Optional	1
	458.069.163	Sieve Mesh 4x4 L=1670	Optional	1
	458.069.164	Sieve Mesh 5.5x5.5 L=1670	Optional	1
	458.069.165	Sieve Mesh 6x6 L=1670	Optional	1
	458.069.166	Sieve Mesh 10x10 L=1670	Optional	1
17	468.025.704	Lock plate		2
18	494.168.063	Sieve frame		1
19	444.150.200	Bush		5
20	804.060.120	Bolt M6 x 12 - ISO 4017		4
21	464.030.460	Lock		4
22	406.200.120	Bush Ø28/Ø20.2 L=14		1
23	414.209.182	Sieve axle		1
24	830.120.120	Self Lock Nut M12 - ISO 10511 Class 10.9		2
25	468.025.100	Sieve guide left		1
26	631.011.016	Chain 1/2" L=1016		1
27	635.010.560	Sprocket 1/2" (08B) Simplex 12Z		1
28	638.130.130	Chain connector 1_2 inch 8B Simplex		1
29	802.060.550	Bolt M6 x 55 - ISO 4014		2
30	804.120.400	Bolt M12 x 45 - ISO 4017		2
31	818.050.080	Set screw M5 x 8 - DIN 913		1
32	864.120.030	Washer M12 - ISO 7089		2
33	884.060.250	Key 6x6x25 - DIN 6885		1
34	468.025.102	Sieve guide right		1

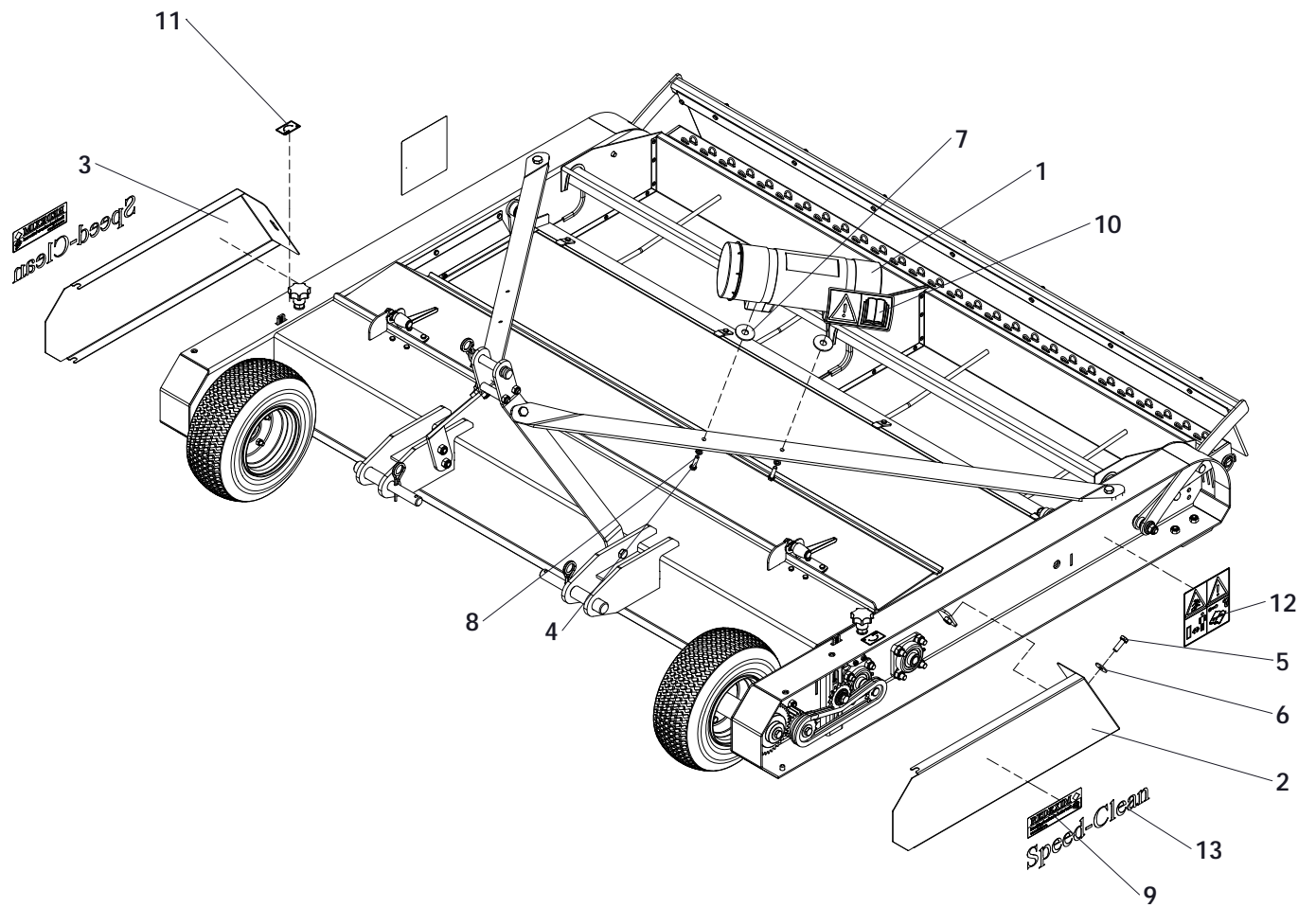
#9A	D5FHBI A 69F	89G7 F-DHC B	F9A 5F?G	E I 5
%	, ' %"\$%\$%\$%\$	GY Z@W_ Bi hA %\$! '€C '%\$) %%		(
&	, \$("\$*\$"\$%*\$ \$	6c hA *'l '%*!'€C '(\$%+		,
'	, '\$"\$*\$"\$*\$ \$	GY Z@W_ Bi hA *'l'€C '%\$) %%		%
(, %* "%\$"\$&)" &	6c hA %\$! '&)'! 8-B' +- - %		(
)	, %("\$*\$"\$%*\$ \$	6c hA *'l '%*!'€C '+', \$		&
*	, \$("%\$"\$") \$	6c hA %\$! ' ')!'€C '(\$%+		&
+	, &* "%\$"\$%\$%\$	Bi hA %\$! '8-B' '-' (&
,	, *("%\$"\$"\$' \$	K Ug\YfA %\$!'€C '+\$, -		(
-	, \$("\$*\$"\$%&\$	6c hA *'l '%&! €C '(\$%+		(
%\$	((("%"\$%"\$&&	GjXY d'UH		&
%%	() *"\$(\$"+\$&	@W_		&
%&	(((*"&&\$"%\$)	Fi VVYfgcd		(
%	, - - "%\$"\$%\$%\$*	< j[Y		&
%(') - \$"%&\$"(* \$	7`Ua d		&
%)	(* , "\$&\$") \$	7 c j Yf		%
%*	(* , "\$&- "%%+*	; i jXY		%
%+	(* , "\$' \$"+\$&	7 c j YfgjXY		&



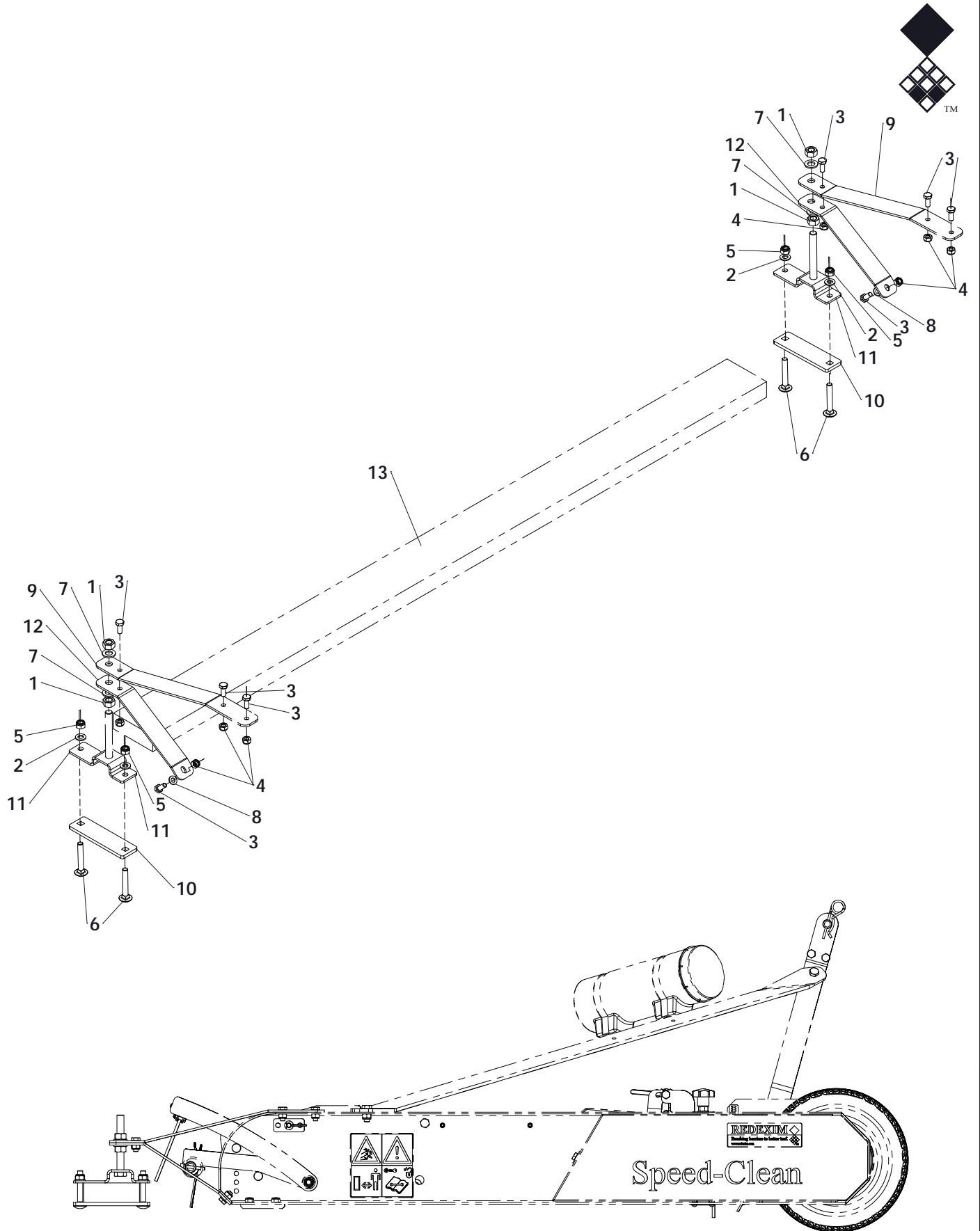
ITEM	PART NUMBER	DESCRIPTION	REMARKS	QUA
1	404.160.252	Tensioner bush		1
2	406.200.102	Bush Ø28/Ø20.2 L=10.6		1
3	444.430.660	Gear Z20		2
4	444.501.260	Gear Z40		2
5	464.120.502	Tensioner strip		1
6	466.120.970	Tensioner		1
7	576.021.150	Tensioner spring		1
8	631.010.610	Chain 1/2" L=610		1
9	635.010.560	Sprocket 1/2" (08B) Simplex 12Z		1
10	635.010.720	Sprocket 1/2" (08B) simplex 16Z		1
11	635.011.090	Sprocket 1/2" (08B) Simplex 25Z		1
12	638.010.710	Chain Spanner 1/2" KSR16LO8		2
13	638.130.130	Chain connector 1_2 inch 8B Simplex		1
14	802.120.452	Bolt M12 x 45 ISP 4014 Class 12.9		1
15	804.100.250	Bolt M10 x 25 - ISO 4017		4
16	804.160.400	Bolt M16 x 40 - ISO 4017		1
17	818.050.080	Set screw M5 x 8 - DIN 913		3
18	864.100.031	Large washer M10 - DIN 9021		4
19	864.120.030	Washer M12 - ISO 7089		1
20	864.160.030	Washer M16 - ISO 7089		1
21	864.200.030	Washer M20 - ISO 7089		2
22	884.060.250	Key 6x6x25 - DIN 6885		1



ITEM	PART NUMBER	DESCRIPTION	REMARKS	QUA
1	830.080.080	Self Lock Nut M8 - ISO 10511		8
2	870.020.120	Circlip d=20 - DIN 471		2
3	511.325.134	Wheel complete 13x5-6 block		2
4	884.060.400	Key 6x6x40 - DIN 6885		2
5	478.088.105	Bearing bracket wheel shaft		2
6	474.202.040	Wheel shaft		2
7	406.200.120	Bush Ø28/Ø20.2 L=14		2
8	406.200.810	Distance bush Ø28/Ø20.2 L=81		2
9	864.080.024	Large washer M8 - DIN 9021		2
10	884.060.250	Key 6x6x25 - DIN 6885		4
11	478.088.040	Bearing bracket drive shaft		2
12	414.201.160	Shaft		2
13	406.200.160	Distance bush Ø30/Ø20.5 L=16		2
14	804.080.250	Bolt M8 x 25 - ISO 4017		2
15	713.200.120	Bearing 6004 2HRS		8
16	814.060.160	Bolt M6 x 16 - ISO 7380		7
17	830.060.060	Self Lock Nut M6 - ISO 10511		19
18	446.049.170	Rubber strip		1
19	464.039.170	Lock strip		1
20	470.023.170	Brush cover		1
21	826.120.600	Low Nut M12		4
22	416.121.000	Threaded rod		2
23	836.120.630	Knop M12		2
24	864.120.030	Washer M12 - ISO 7089		12
25	826.120.120	Nut M12 - DIN 934		2
26	444.020.850	Guide plate		2
27	444.021.200	Brush guide		2
28	468.041.104	Indicator		2
29	470.041.660	Brush lift left		1
30	470.041.662	Brush lift right		1
31	494.147.190	Frame Verti-Clean 1670		1
32	741.200.330	Bearing UCF 204		4
33	804.060.160	Bolt M6 x 16 - ISO 4017		4
34	804.100.200	Bolt M10 x 20 - ISO 4017		16
35	804.120.400	Bolt M12 x 40 - ISO 4017		8
36	820.120.450	MH Bolt M12 x 45 ISO 8677		8
37	830.100.100	Self Lock Nut M10 - ISO 10511		16
38	830.120.120	Self Lock Nut M12 - ISO 10511		16
39	880.060.100	Grease nipple M6 DIN 71412A		4
40	864.060.030	Washer M6 - ISO 7089		16
41	802.060.600	Bolt M6 x 60 - ISO 4014		8
42	472.729.183	Brush shaft		1
43	486.010.651	Brush WL=65 L=1664		4
44	464.040.450	Lock plate		16

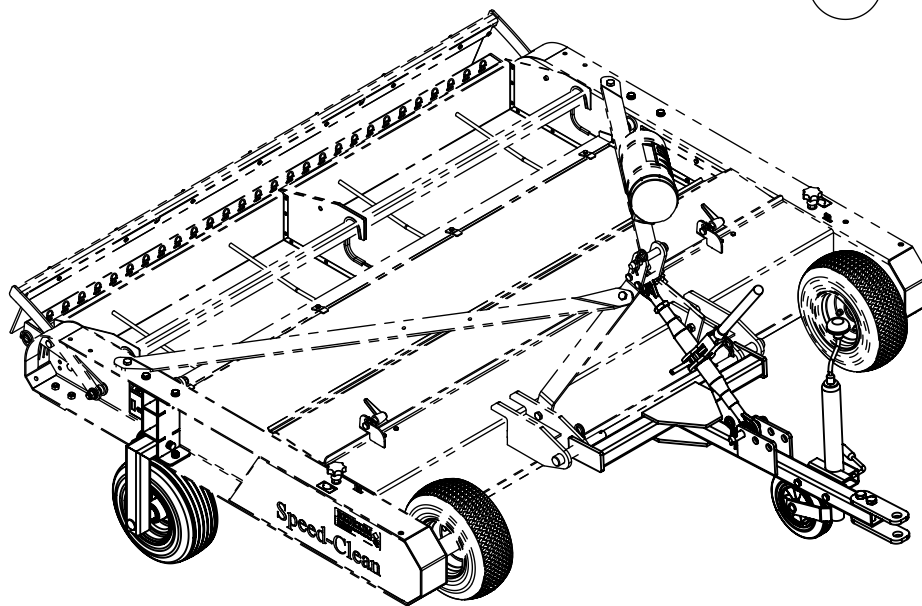
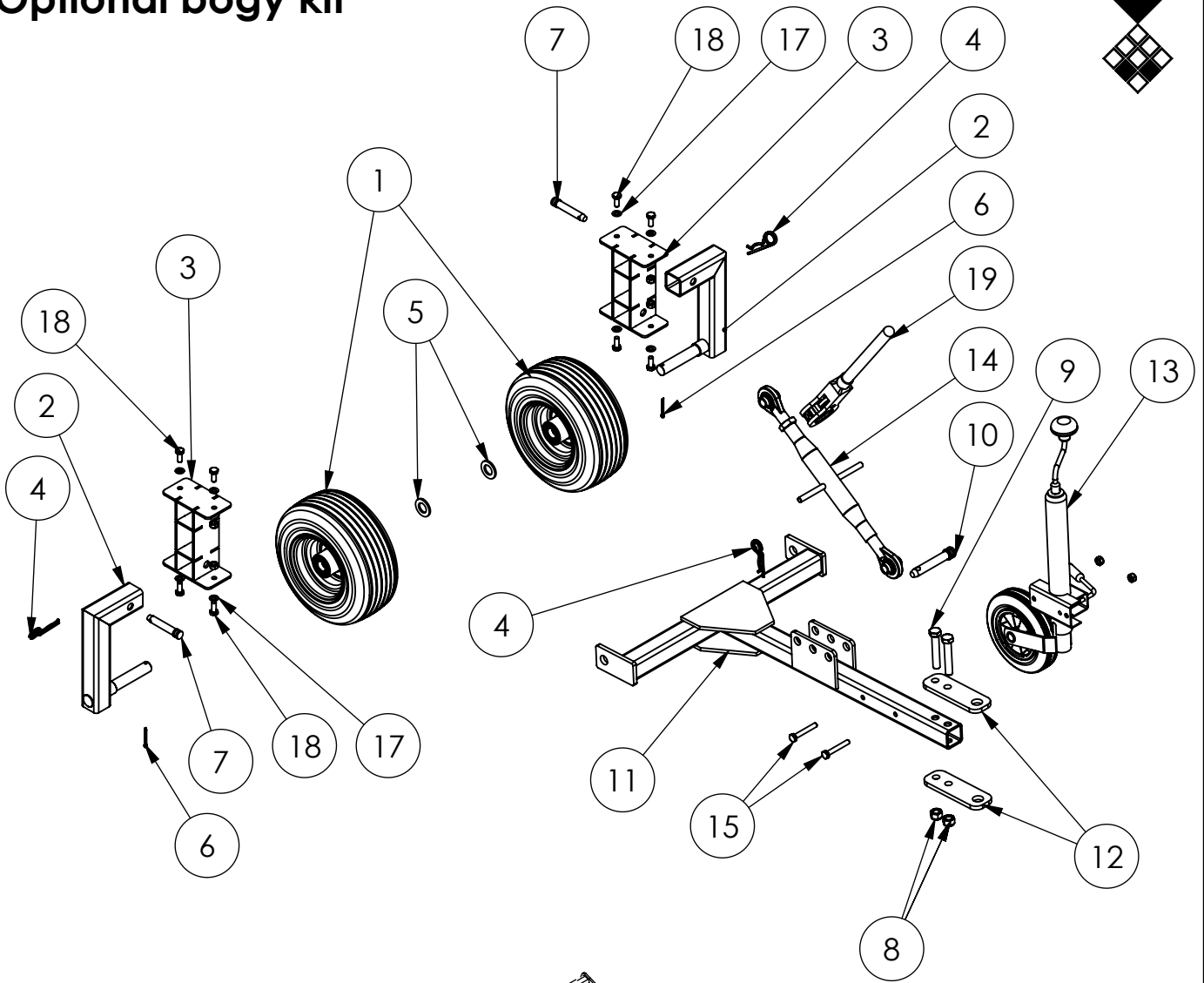


ITEM	PART NUMBER	DESCRIPTION	REMARKS	QUA
1	444.803.100	Toolbox Complete		1
2	456.071.020	Cover left		1
3	456.071.022	Cover right		1
4	804.080.350	Bolt M8 x 35 - ISO 4017		2
5	804.100.300	Bolt M10 x 30 - ISO 4017		2
6	864.100.031	Large washer M10 - DIN 9021		2
7	864.140.031	Large washer M14 - DIN 9021		2
8	866.080.020	Spring Washer M8 - DIN 127		2
9	900.260.403	Logo Label		2
10	900.280.402	Safety decall manual		1
11	914.340.200	Label Up-Down		2
12	933.280.402	Safety decall Rink Verti-Top		2
13	947.260.416	Label Speed-Clean		2



ITEM	PART NUMBER	DESCRIPTION	REMARKS	QUA
1	826.160.160	Nut M16 - DIN 934		4
2	864.120.030	Washer M12 - ISO 7089		4
3	804.100.250	Bolt M10 x 25 - ISO 4017		8
4	830.100.100	Self Lock Nut M10 - ISO 10511		8
5	830.120.120	Self Lock Nut M12 - ISO 10511		4
6	820.120.800	MH Bolt M12 x 80 ISO 8677		4
7	864.160.030	Washer M16 - ISO 7089		4
8	864.100.030	Washer M10 - ISO 7089		2
9	464.054.900	Mounting plate		2
10	464.081.742	Clamp strip		2
11	470.501.550	Spindle		2
12	464.052.780	Mounting plate		2
13	498.213.013	Magnetic bar		1
	247.167.010	Magnet bar for Speed-Clean	Complete kit	

Optional boggy kit



ITEM	PART NUMBER	DESCRIPTION	REMARKS	QUA
1	511.325.135	Wheel AGRI 31 - 13x5.00-6		2
2	494.271.870	Wheel mounting weldment		2
3	494.201.600	Wheel bracket weldment		2
4	523.051.000	R-clip Round 5, DIN 11024		3
5	864.240.044	Washer M24 - ISO 7089		2
6	882.050.400	Cotter Pin 5 x 40 - DIN 94		2
7	521.161.076	3-point pin Ø16		2
8	830.160.160	Self Lock Nut M16 - ISO 10511		2
9	802.160.900	Bolt M16 x 90 - ISO 4014		2
10	521.191.120	Top Link Pin		1
11	494.520.725	Draw bar boggy Verti-Clean		1
12	464.101.800	Pull Eye Plate Boggy		2
13	525.484.000	Spindle STR1620		1
14	522.194.180	Toplink Cat. 1 L0=418 Stroke=200 1/8"		1
15	802.100.700	Bolt M10 x 70 - ISO 4014		2
16	830.100.100	Self Lock Nut M10 - ISO 10511		10
17	864.100.030	Washer M10 - ISO 7089		8
18	804.100.250	Bolt M10 x 25 - ISO 4017		8
19	529.434.000	Ratchett for toplink		1
	247.167.008	Boggy kit for Speed-Clean	Complete kit	