

# **VERTI-CORE III 1600-2100**

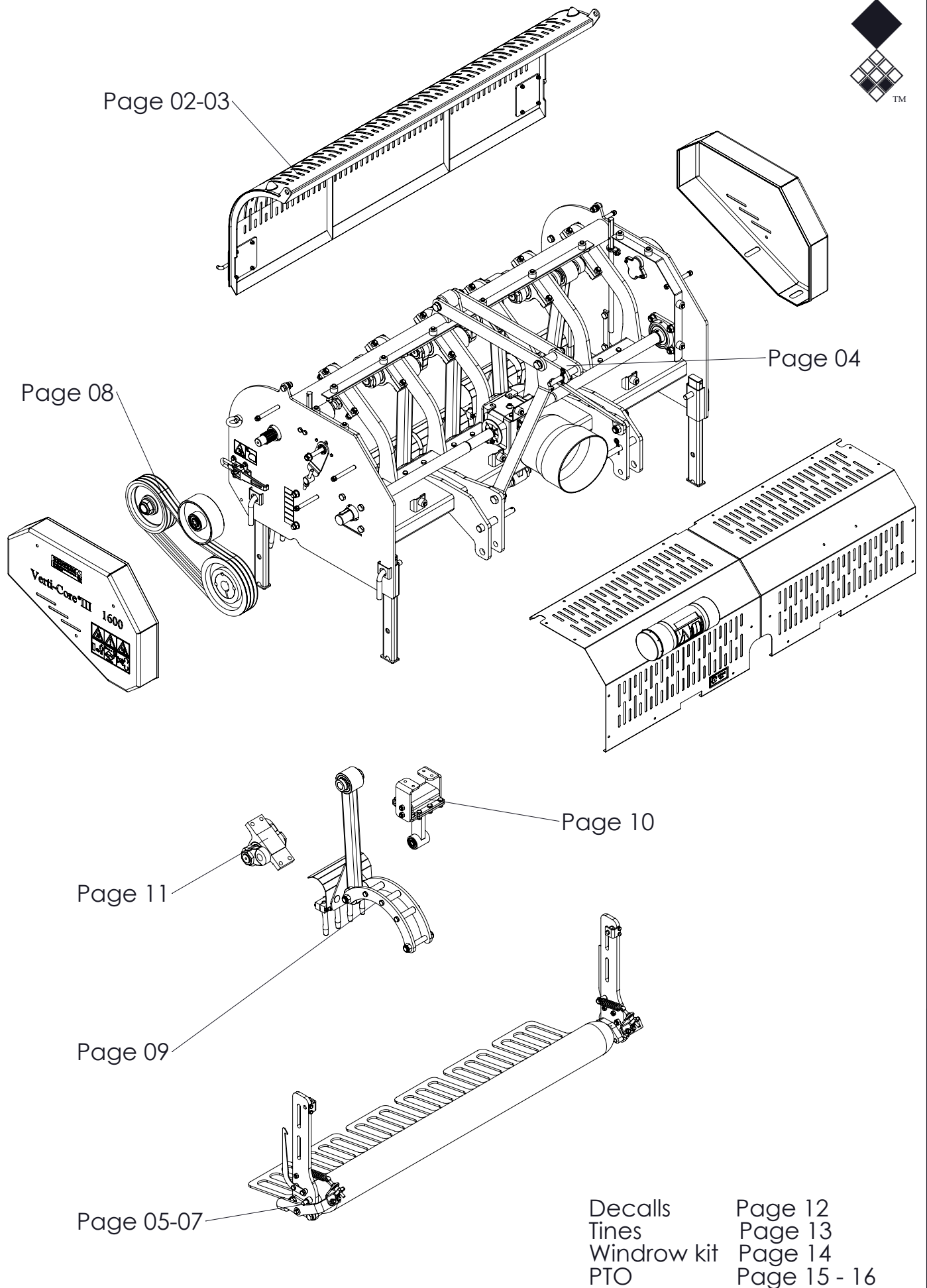


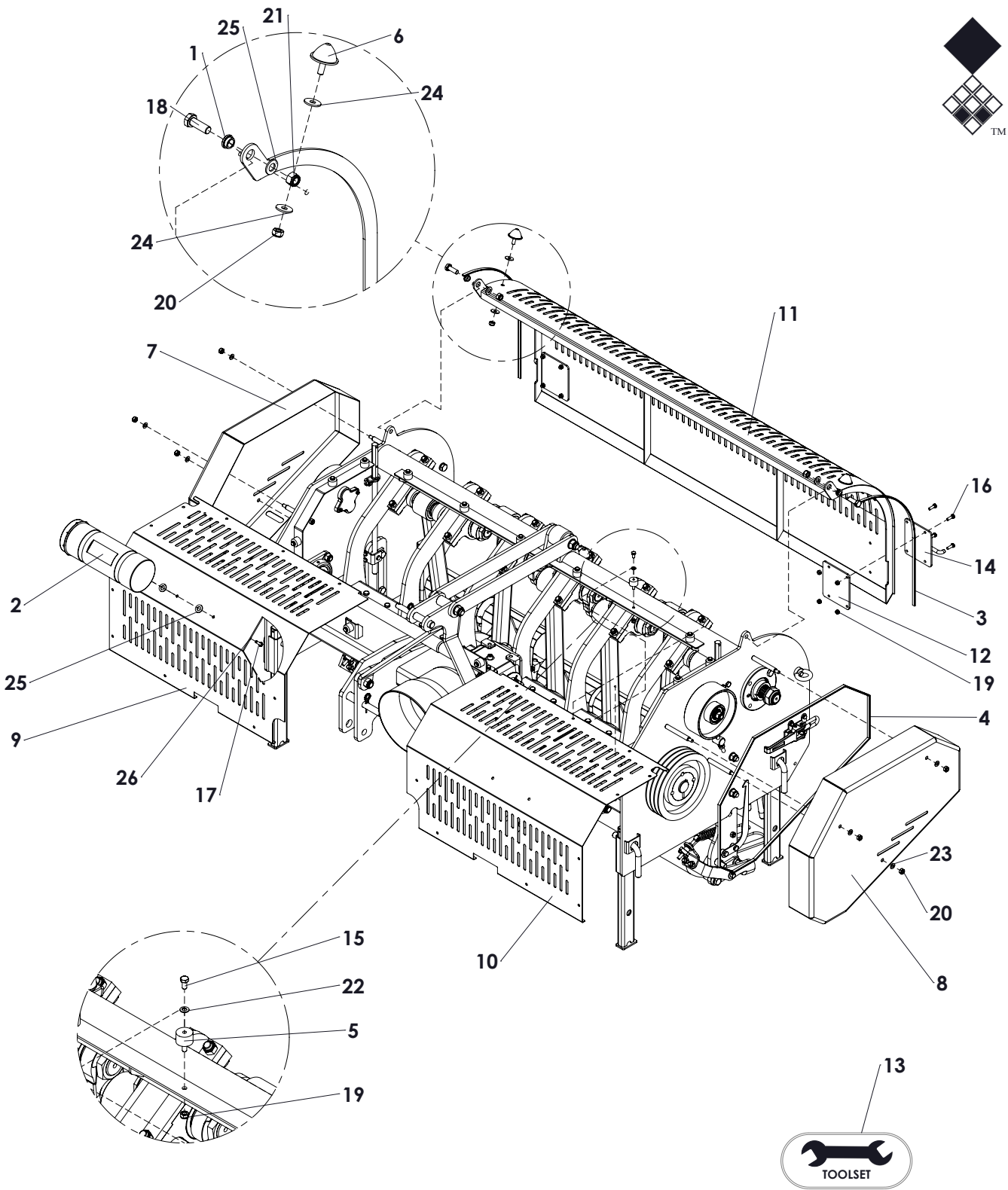
Version: 2134



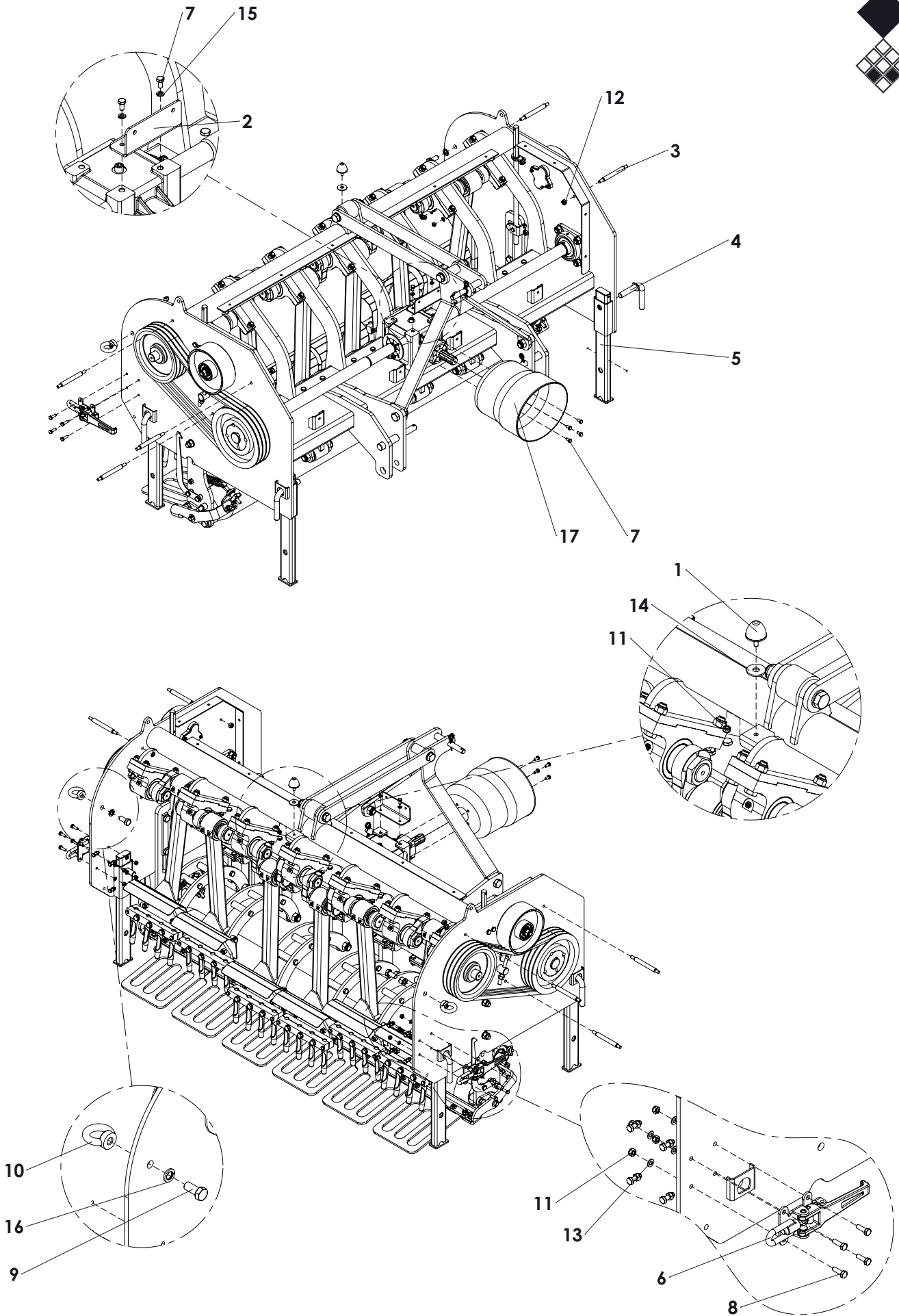
Kwekerijweg 8 | 3709JA | Zeist | The Netherlands |  
T: +31 (0)306 933 227  
E: [redexim@redexim.com](mailto:redexim@redexim.com)  
W: [www.redexim.com](http://www.redexim.com)



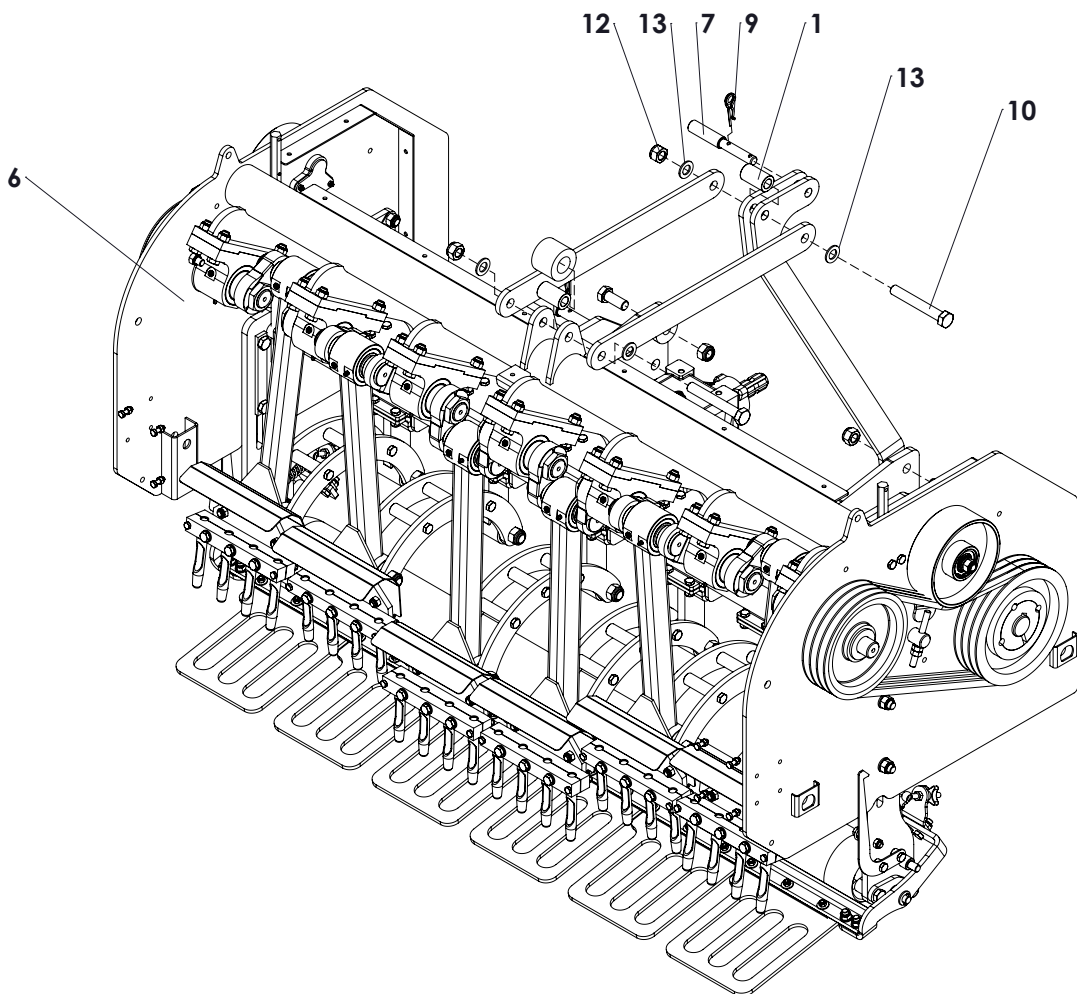
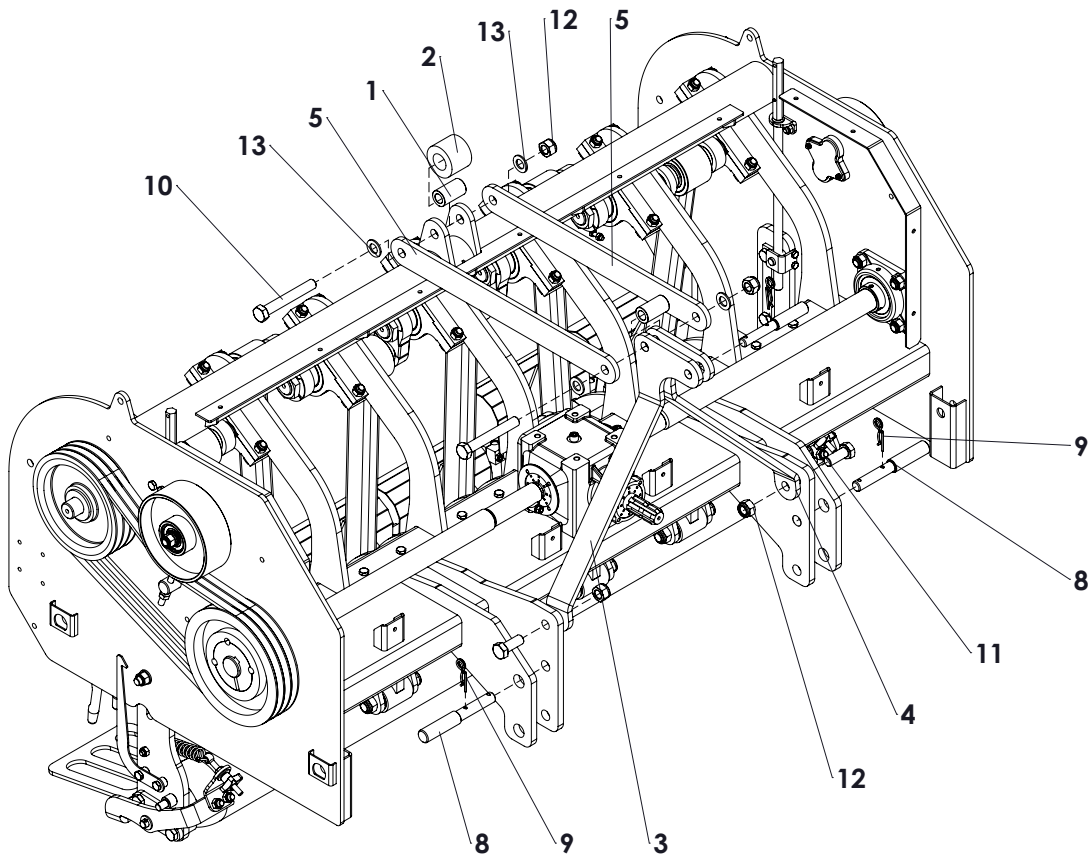




ITEM	PART NUMBER	DESCRIPTION	REMARKS	QUA VC1600	QUA VC2100
1	404.140.100	Distance bush		2	2
2	444.803.100	Toolbox Complete		1	1
3	446.047.300	Rubber U-seal 4x10 L=730		2	2
4	446.049.210	Rubber U-seal 4x10 L=2130		2	2
5	446.300.200	Vibration damper type B M8x20		20	22
6	446.500.580	Rubber stop		2	2
7	456.074.500	Belt cover right		1	1
8	456.074.502	Belt cover left		1	1
9	456.087.043	Cover plate	VC 1600	1	0
	456.115.043	Cover plate	VC 2100	0	1
10	456.087.044	Cover plate	VC 1600	1	0
	456.115.044	Cover plate	VC 2100	0	1
11	456.182.065	Rear cover VC1600 III	VC 1600	1	0
	456.238.065	Rear cover VC2100 III	VC 2100	0	1
12	464.051.500	Plate		2	2
13	468.083.060	Toolset		1	1
14	470.051.500	Lock plate		2	2
15	804.080.160	Bolt M8 x 16 - ISO 4017		20	22
16	804.080.250	Bolt M8 x 25 - ISO 4017		8	8
17	804.080.300	Bolt M8 x 30 - ISO 4017		2	2
18	804.140.400	Bolt M14 x 40 - ISO 4017		2	2
19	830.080.080	Self Lock Nut M8 - ISO 10511		28	30
20	830.100.100	Self Lock Nut M10 - ISO 10511		6	6
21	830.140.140	Self Lock Nut M14 - ISO 10511		2	2
22	864.080.030	Washer M8 - ISO 7089		20	22
23	864.100.030	Washer M10 - ISO 7089		6	6
24	864.100.031	Large washer M10 - DIN 9021		4	4
25	864.140.030	Washer M14 - ISO 7089		4	4
26	866.080.020	Spring Washer M8 - DIN 127		2	2

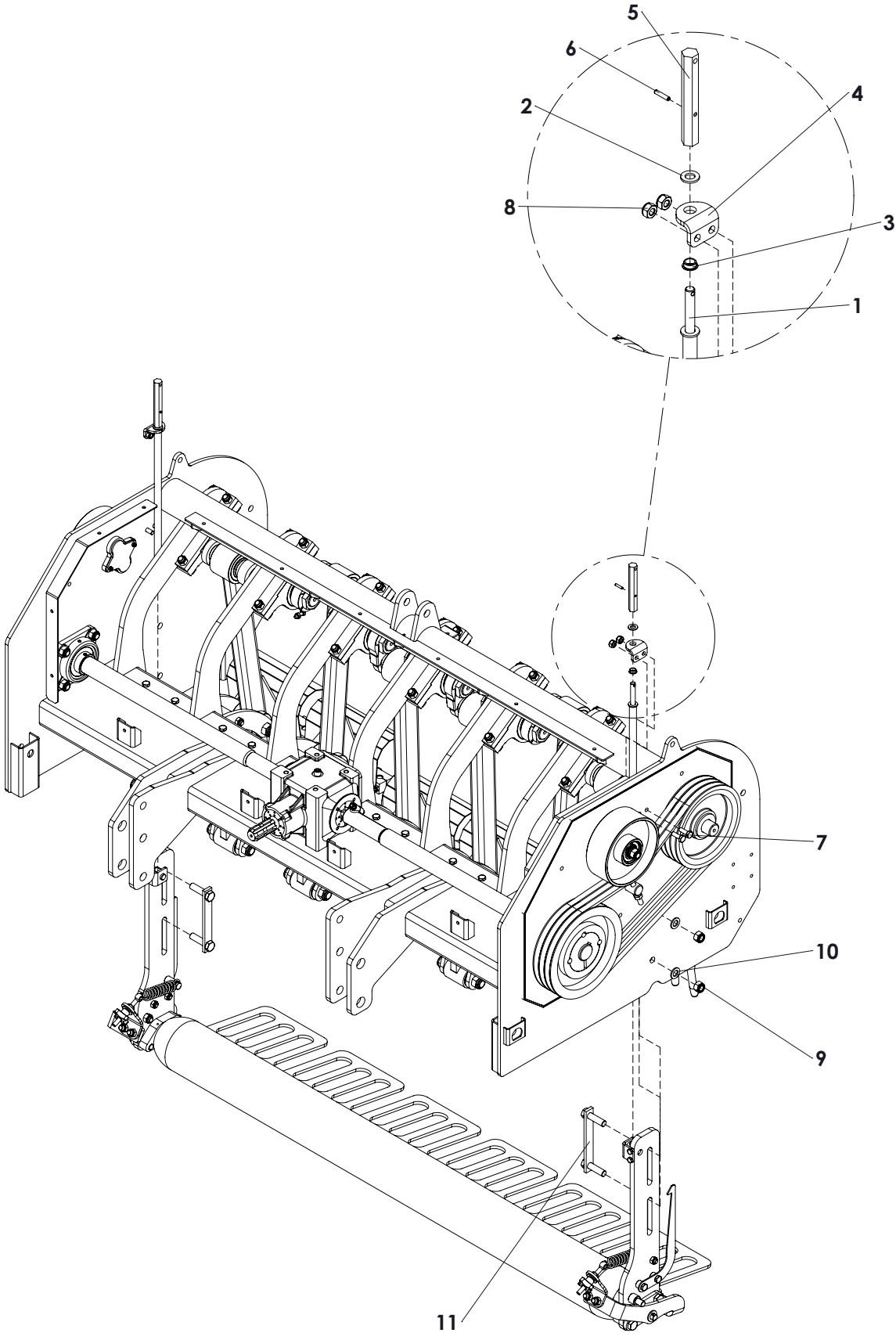


ITEM	PART NUMBER	DESCRIPTION	REMARKS	QUA	QUA
				VC1600	VC2100
1	446.800.550	Rubber stop		1	1
2	468.041.504	Cover lock plate		1	1
3	472.151.502	Stud Ø15 M10 L=150		6	6
4	474.201.320	Lock pin		4	4
5	478.605.070	Support		4	4
6	590.342.700	Clamp		2	2
7	804.080.160	Bolt M8 x 16 - ISO 4017		2	2
8	804.080.250	Bolt M8 x 25 - ISO 4017		8	8
9	804.160.350	Bolt M16 x 35 - ISO 4017		2	2
10	822.160.360	Lifting Eye Nut M16 - DIN 582		2	2
11	830.080.080	Self Lock Nut M8 - ISO 10511		9	9
12	830.100.100	Self Lock Nut M10 - ISO 10511		6	6
13	864.080.030	Washer M8 - ISO 7089		8	8
14	864.120.031	Large washer M12 - DIN 9021		1	1
15	866.080.020	Spring Washer M8 - DIN 127		2	2
16	866.160.020	Spring Washer M16 - DIN 127		2	2
17	2991800	PTO Cover		1	1

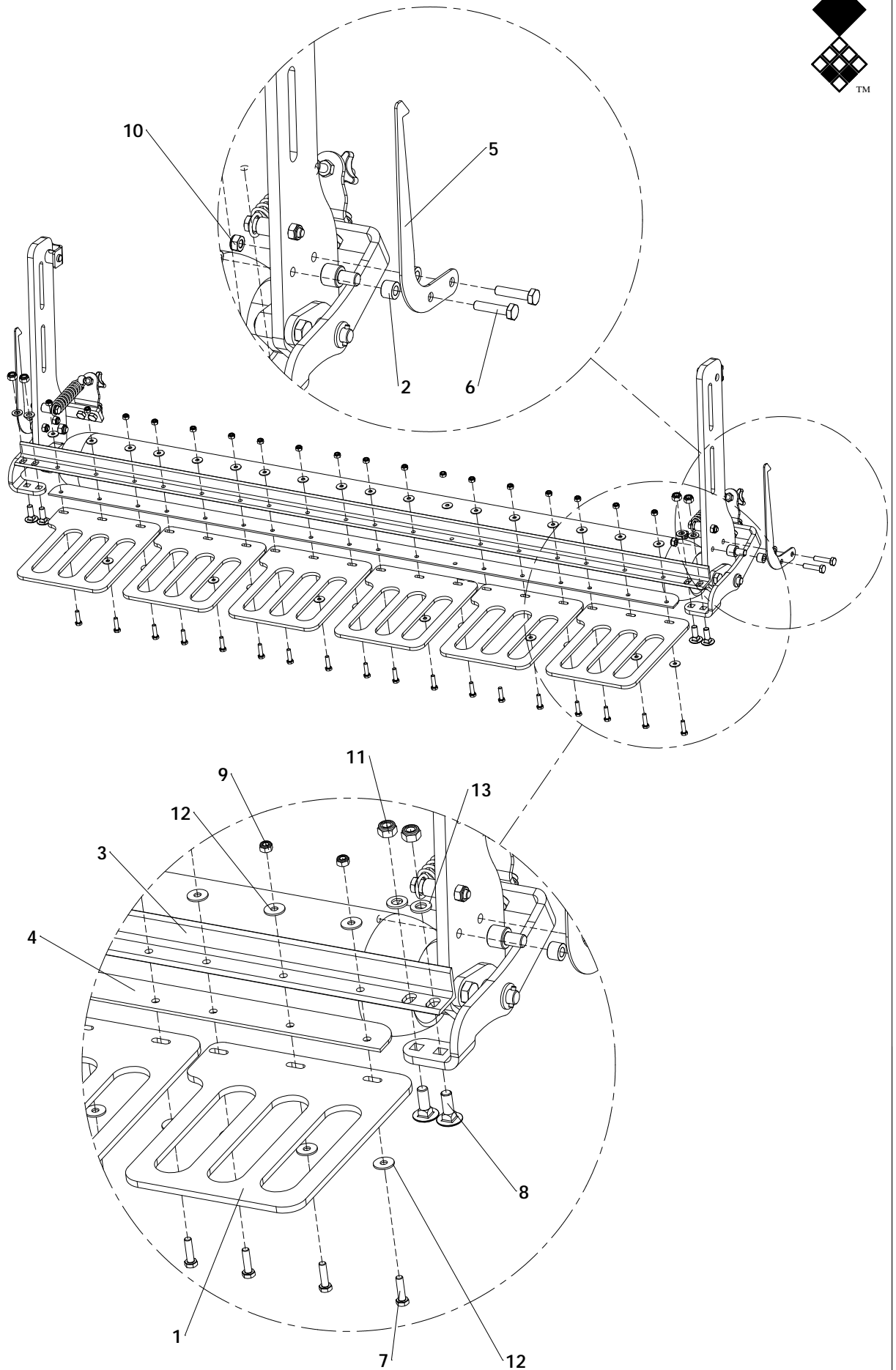




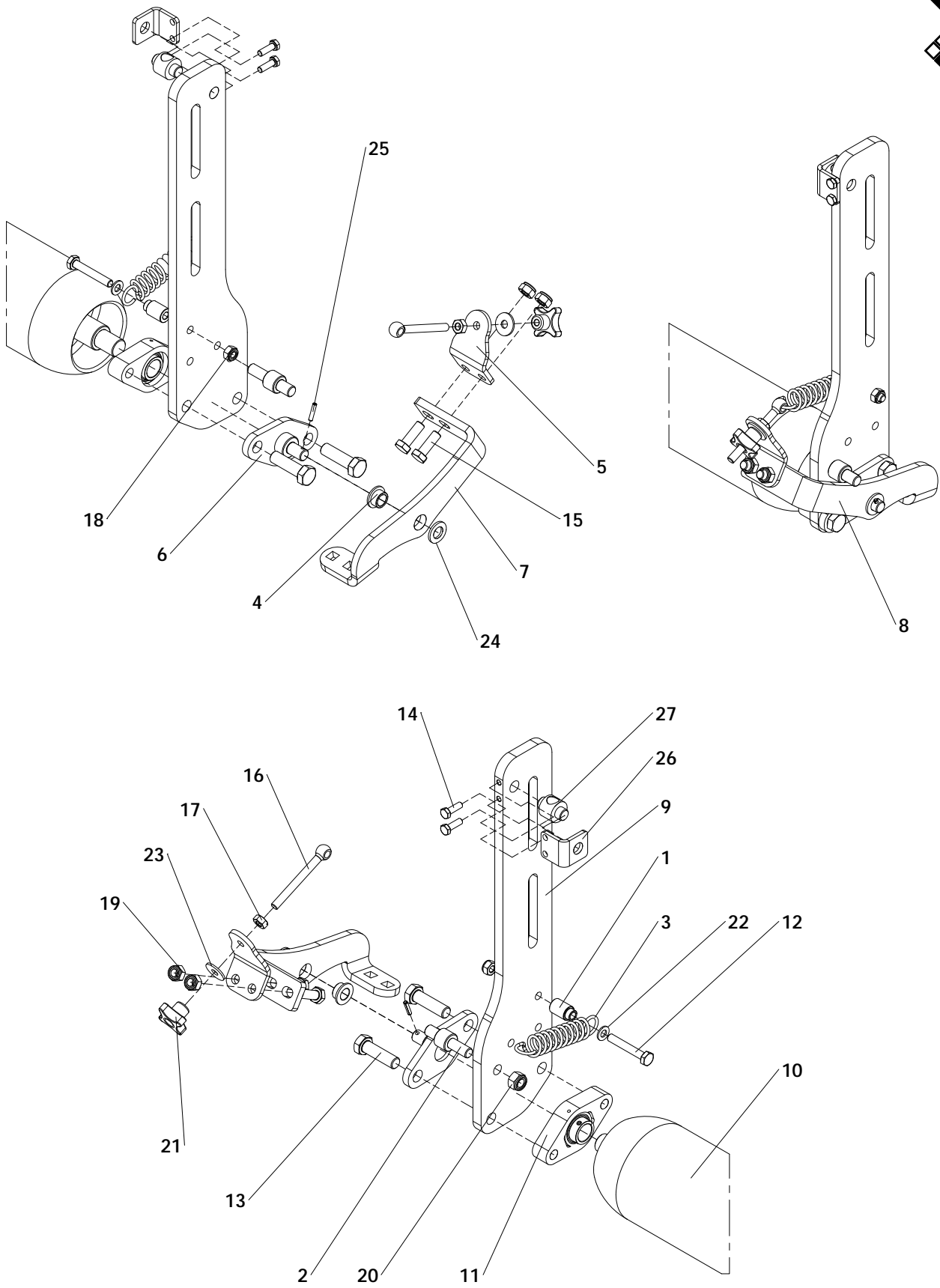
ITEM	PART NUMBER	DESCRIPTION	REMARKS	QUA	QUA
				VC1600	VC2100
1	406.210.600	Distance bush Ø30/Ø20.5 L=60		2	2
2	446.700.550	Rubber stop		1	1
3	468.125.300	Top link support right		1	1
4	468.125.302	Top link support left		1	1
5	468.126.300	Lock plate		2	2
6	494.185.101	Frame VC1600 III		1	0
	494.234.101	Frame VC 2100 III		0	1
7	521.191.600	Top link pin OS		1	1
8	521.221.600	3-point pin		2	2
9	523.030.750	R-Clip Round 3, DIN 11024		3	3
10	802.060.600	Bolt M20 x 140 - ISO 4014		2	2
11	802.200.500	Bolt M20 x 50 - ISO 4017		2	2
12	830.200.200	Self Lock Nut M20 - ISO 10511		4	4
13	864.200.030	Washer M20 - ISO 7089		4	4



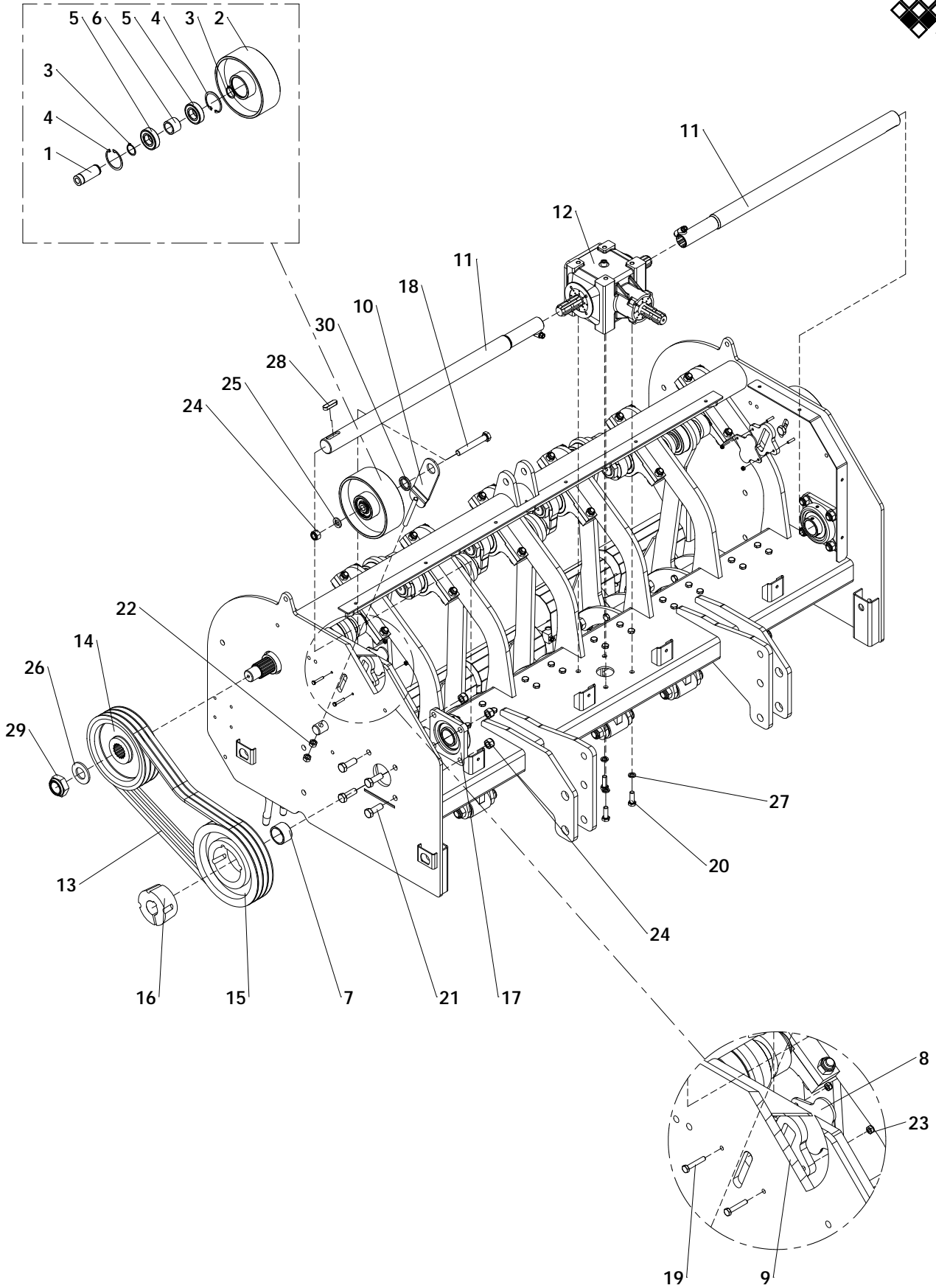
ITEM	PART NUMBER	DESCRIPTION	REMARKS	QUA VC1600	QUA VC2100
1	2692101	Spindle		2	2
2	864.120.030	Washer M12 - ISO 7089		2	2
3	404.120.070	Bearing bush spindel		2	2
4	464.060.410	Bracket height adjustment		2	2
5	474.191.382	Spindle head 7416		2	2
6	878.050.240	Roll Pin 5 x 24 - ISO 8752		2	2
7	804.100.300	Bolt M10 x 30 - ISO 4017		4	4
8	830.100.100	Self Lock Nut M10 - ISO 10511		4	4
9	830.160.160	Self Lock Nut M16 - ISO 10511		4	4
10	864.160.030	Washer M16 - ISO 7089		4	4
11	2281520	Bolt Assembly		2	2



ITEM	PART NUMBER	DESCRIPTION	REMARKS	QUA VC1600	QUA VC2100
1	311.508.304	Turf Hold Down Finger	For Tine Ø22 (7/8") for 4 tines/ head	6	8
	311.508.302	Turf Hold Down Finger	For Tine Ø19 (3/4") for 5 tines/head	6	8
2	406.110.140	Distance bush Ø20/Ø11 L=14		4	4
3	462.409.182	THD Beam		1	0
	462.409.230	THD Beam		0	1
4	464.049.166	Scraper		1	0
	464.049.220	Scraper		0	1
5	468.032.750	Height Indicator		2	2
6	802.100.450	Bolt M10 x 45 - ISO 4014		4	4
7	804.080.300	Bolt M8 x 30 - ISO 4017		18	24
8	820.120.350	MH Bolt M12 x 35 ISO 8677		4	4
9	830.080.080	Self Lock Nut M8 - ISO 10511		18	24
10	830.100.100	Self Lock Nut M10 - ISO 10511		4	4
11	830.120.120	Self Lock Nut M12 - ISO 10511		4	4
12	864.080.024	Large washer M8 - DIN 9021		36	48
13	864.120.030	Washer M12 - ISO 7089		4	4

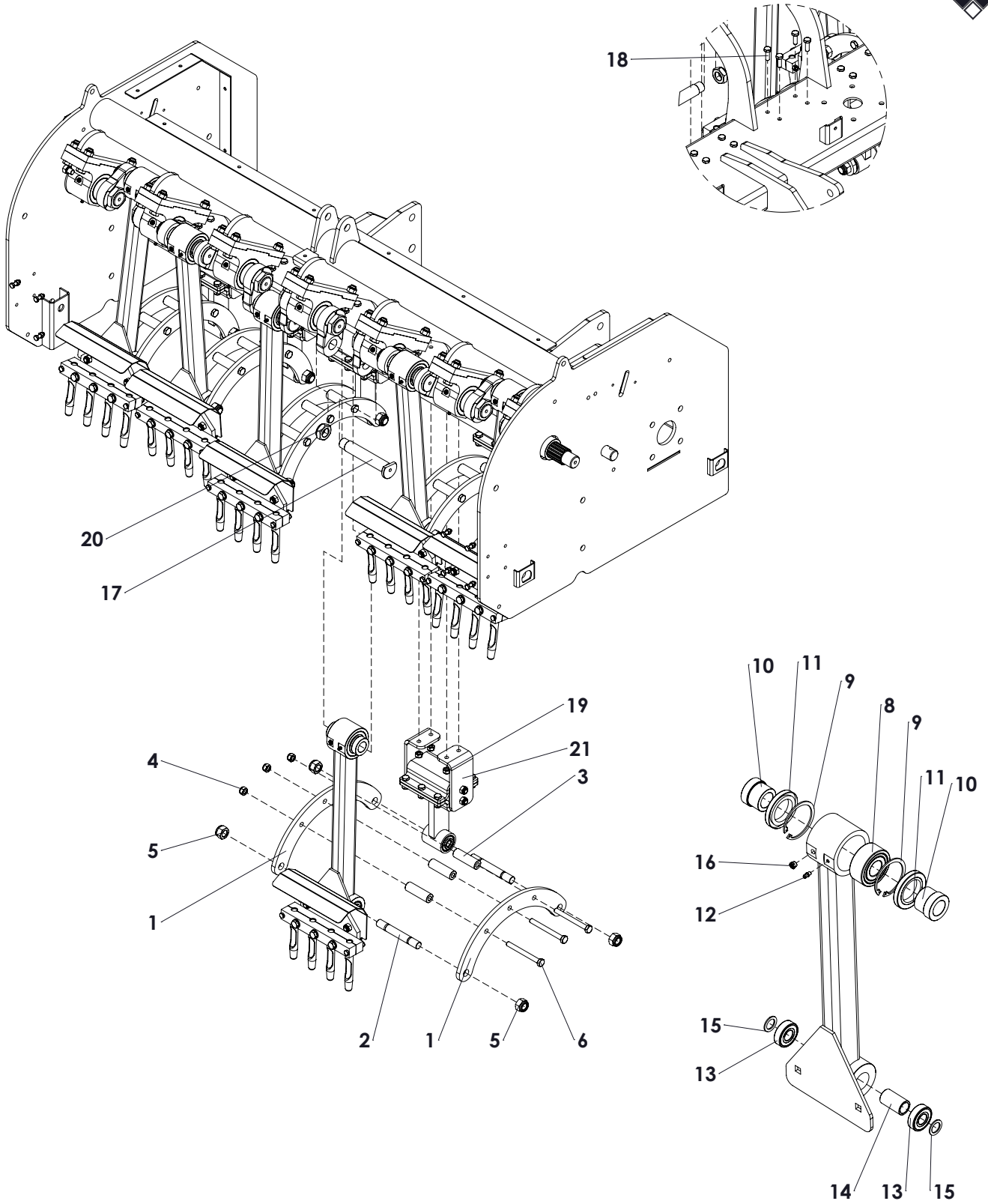


ITEM	PART NUMBER	DESCRIPTION	REMARKS	QUA VC1600	QUA VC2100
1	404.100.340	Bush		2	2
2	418.250.750	Stop THD Frame		2	2
3	438.251.020	Spring THD SLVC		2	2
4	442.300.150	Pivot bearing THD SLVC		2	2
5	464.080.860	Bracket THD Spring Tensioner		2	2
6	466.101.340	Pivot Bracket THD frame		2	2
7	468.102.640	Bracket THD Beam right		1	1
8	468.102.642	Bracket THD Beam left		1	1
9	468.155.750	Front roller support		2	2
10	488.140.917	Welding assembly front roller		1	0
	488.140.932	Welding assembly front roller		0	1
11	744.250.660	Bearing complete		2	2
12	802.100.650	Bolt M10 x 65 - ISO 4014		2	2
13	802.160.550	Bolt M16 x 55 - ISO 4014		4	4
14	804.080.250	Bolt M8 x 25 - ISO 4017		4	4
15	804.120.350	Bolt M12 x 35 - ISO 4017		4	4
16	822.101.000	Eye bolt M10x100 Din444 LB (full thread)		2	2
17	826.100.100	Nut M10 - DIN 934		2	2
18	830.100.100	Self Lock Nut M10 - ISO 10511		2	2
19	830.120.120	Self Lock Nut M12 - ISO 10511		4	4
20	830.140.140	Self Lock Nut M14 - ISO 10511		2	2
21	836.100.260	Knop M10 - Din 6335		2	2
22	864.100.030	Washer M10 - ISO 7089		2	2
23	864.100.031	Large washer M10 - DIN 9021		2	2
24	864.160.030	Washer M16 - ISO 7089		2	2
25	878.050.240	Roll Pin 5 x 24 - ISO 8752		2	2
26	2282096	Splined nut bracket		2	2
27	2282098	Spindle nut TR18x4		2	2

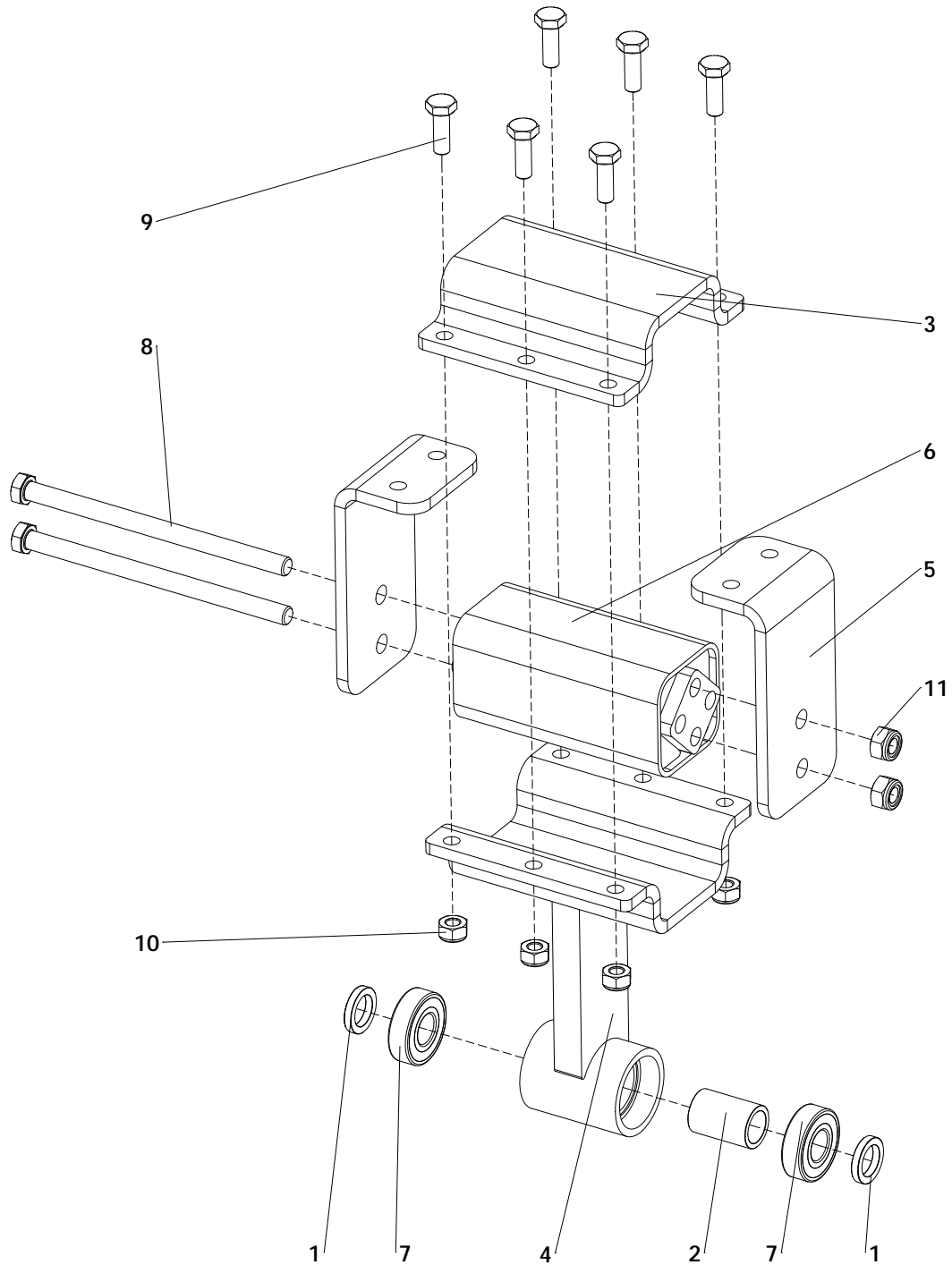




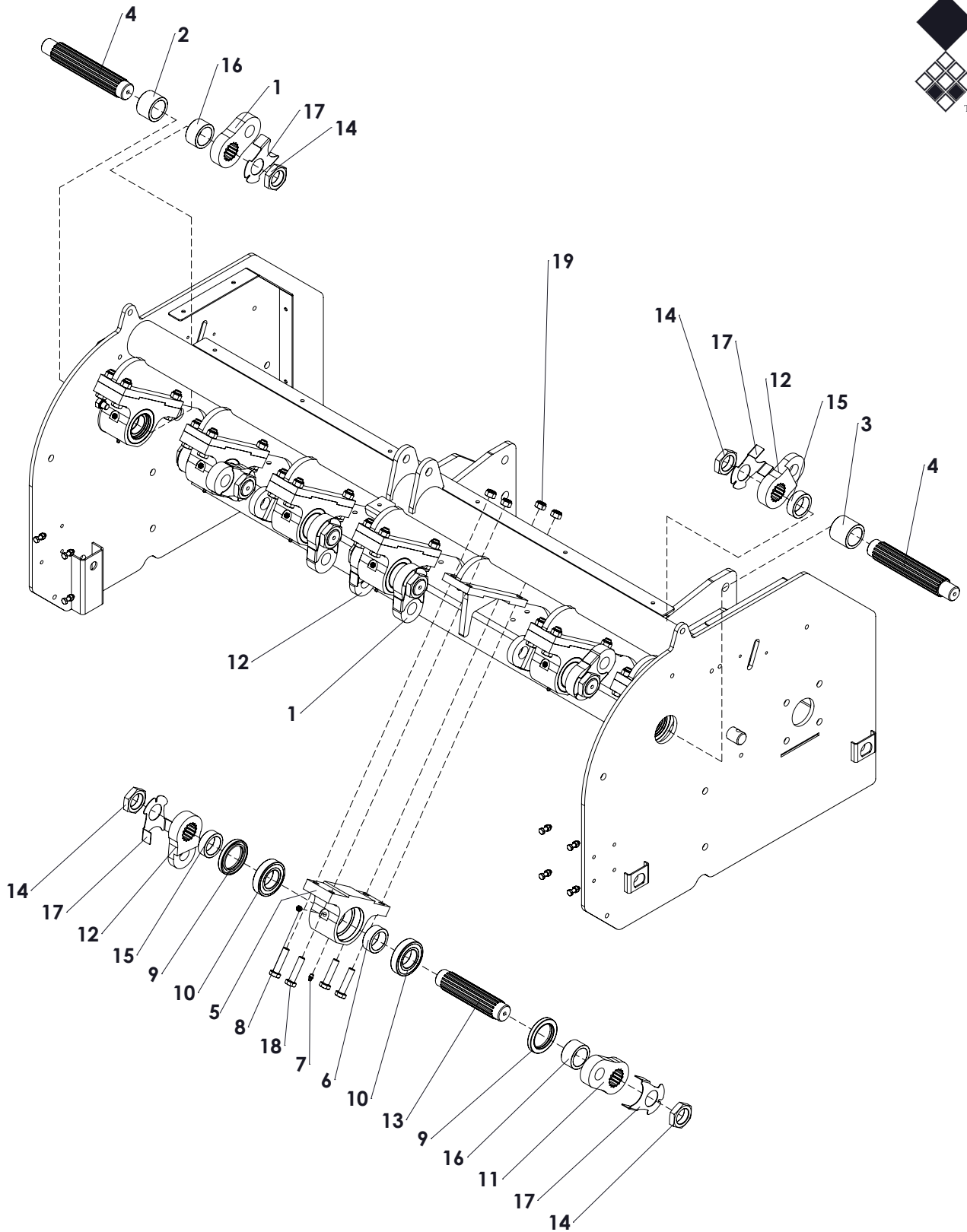
ITEM	PART NUMBER	DESCRIPTION	REMARKS	QUA VC1600	QUA VC2100
1	424.300.800	Shaft tensioner		1	1
2	428.702.000	Idler		1	0
	428.902.000	Idler		0	1
3	870.030.160	Circlip d=30 - DIN 471		2	2
4	872.062.200	Circlip DIN 472 - 62x2		2	2
5	713.300.160	Bearing DIN 6206 2RS		2	2
6	406.310.290	Distance bush Ø40/Ø31 L=28.7		1	1
7	406.460.322	Distance bush Ø55/Ø46 L=32.2		1	0
	406.460.422	Distance bush Ø55/Ø46 L=41.7		0	1
8	468.041.204	Plate		2	2
9	468.121.200	Slide plate		2	2
10	470.052.802	Tensioner		2	2
11	474.458.552	Main drive shaft		2	0
	474.459.110	Main drive shaft		0	2
12	622.175.206	Comer T-27A 267.006 1:1		1	1
13	642.171.700	V-Belt XPB 1700		6	8
14	646.022.243	Pulley SPB 224-3 Splined		2	0
	646.022.244	Pulley SPB 224-4 Splined		0	2
15	646.022.503	Pulley SPB 250-3 T3020		2	0
	646.022.504	Pulley SPB 250-4 T3020		0	2
16	648.453.020	Taperlock 3020 - 45mm		2	2
17	741.450.490	Bearing UCF 209		2	2
18	802.161.100	Bolt M16 x 110 - ISO 4014		2	2
19	802.060.350	Bolt M6 x 35 - ISO 4014		4	4
20	804.120.350	Bolt M12 x 35 - ISO 4017		4	4
21	804.160.450	Bolt M16 x 45 - ISO 4017		8	8
22	826.120.120	Nut M12 - DIN 934		4	4
23	830.060.060	Self Lock Nut M6 - ISO 10511		4	4
24	830.160.160	Self Lock Nut M16 - ISO 10511		10	10
25	864.160.030	Washer M16 - ISO 7089		2	2
26	864.350.050	Washer M35 - ISO 7089		2	2
27	866.120.020	Spring Washer M12 - DIN 127		4	4
28	884.140.500	Key 14x9x50 - DIN 6885		2	2
29	4129210	Nut M35x1.5		2	2
30	2611155	Distance bush		2	2



ITEM	PART NUMBER	DESCRIPTION	REMARKS	QUA VC1600	QUA VC2100
1	468.124.020	RC element strip	Qua for 1 element	2	2
2	416.201.500	Pivot bar	Qua for 1 element	2	2
3	406.130.800	Distance bush Ø25/Ø12.5 L=80	Qua for 1 element	3	3
4	830.120.120	Self Lock Nut M12 - ISO 10511	Qua for 1 element	3	3
5	830.200.200	Self Lock Nut M20 - ISO 10511	Qua for 1 element	4	4
6	802.121.200	Bolt M12 x 120 - ISO 4014	Qua for 1 element	3	3
7	470.156.400	Weldment tine arm	Qua for 1 element	1	1
8	711.300.300	Bearing 3306-BTVH	Qua for 1 element	1	1
9	872.072.250	Circlip D=72 - DIN 472	Qua for 1 element	2	2
10	404.300.400	Support bush	Qua for 1 element	2	2
11	4407810	Oil seal - 45x72x10 RP	Qua for 1 element	2	2
12	880.060.100	Grease nipple M6 DIN 71412A	Qua for 1 element	1	1
13	713.200.140	Bearing 6204-2RS	Qua for 1 element	2	2
14	406.210.480	Distance bush Ø28/Ø21 L=48	Qua for 1 element	1	1
15	2602012	Shim Ø30/Ø20.5 D=2	Qua for 1 element	2	2
16	4067000	Breather M10x1	Qua for 1 element	1	1
17	416.301.800	Big End pin		6	8
18	804.100.300	Bolt M10 x 30 - ISO 4017		24	32
19	830.100.100	Self Lock Nut M10 - ISO 10511		24	32
20	4127260	Self lock nut M27		6	8
21	.	RSU Element	Parts page 10	6	8

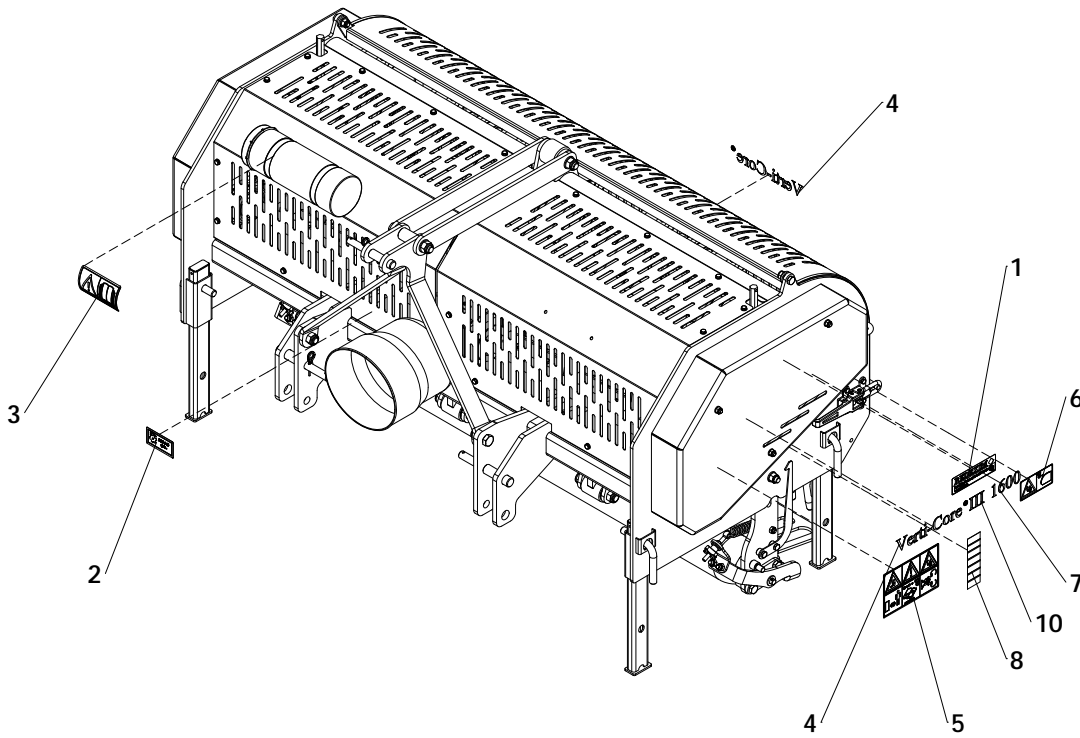
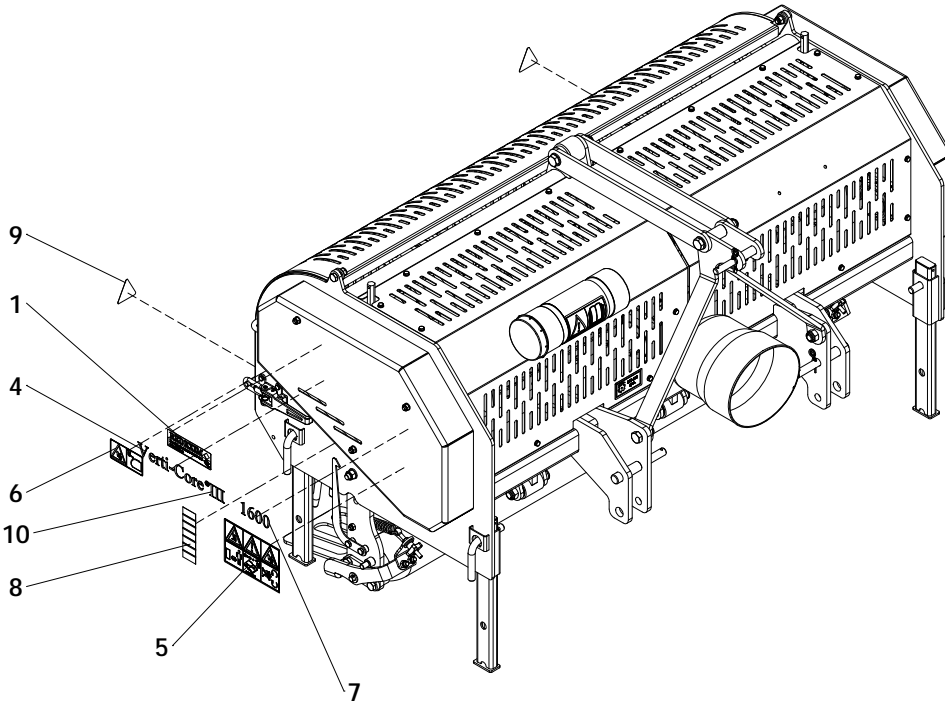


ITEM	PART NUMBER	DESCRIPTION	REMARKS	QUA VC1600	QUA VC2100
1	406.210.050	Distance bush Ø30/Ø20.2 L=5		2	2
2	406.210.420	Distance bush Ø28/Ø21 L=42		1	1
3	464.081.502	Lockplate RSU		1	1
4	466.081.500	RSU Arm		1	1
5	468.081.542	Bracket RSU		2	2
6	572.451.500	Rubber suspension Unit DR-A 45x150		1	1
7	713.200.140	Bearing 6204-2RS		2	2
8	802.060.600	Bolt M12 x 190 - ISO 4014		2	2
9	804.100.300	Bolt M10 x 30 - ISO 4017		6	6
10	830.100.100	Self Lock Nut M10 - ISO 10511		6	6
11	830.120.120	Self Lock Nut M12 - ISO 10511		2	2



VC1600 120° angle between crank (shown)  
 VC2100 90° angle between crank more details see users manual.




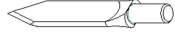
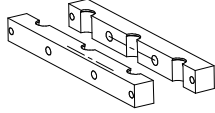
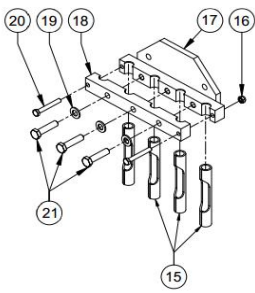
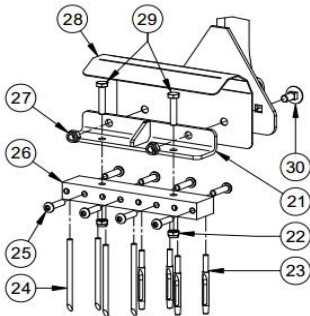
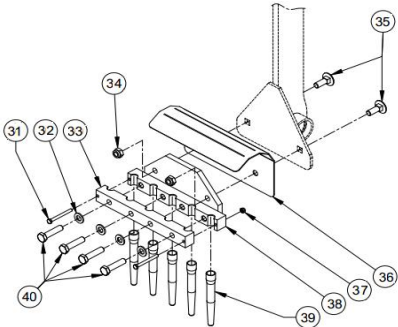
ITEM	PART NUMBER	DESCRIPTION	REMARKS	QUA VC1600	QUA VC2100
1	464.271.404	Crank plate		2	2
2	406.460.400	Distance bush Ø60/Ø45.2 L=39.5		1	1
3	406.460.510	Distance bush Ø60/Ø45.2 L=51.5		1	1
4	420.452.610	Splined shaft		2	0
	420.452.710	Splined shaft		0	2
5	472.802.250	Crankshaft bearing block		7	9
6	406.460.222	Distance bush Ø60/Ø45.2 L=22		7	9
7	4061050	Grease nipple M8		7	9
8	4067000	Breather M10x1		7	9
9	4408967	Oil seal 60-85-10		14	18
10	711.450.190	Bearing 6209		14	18
11	464.271.400	Crank plate		4	0
	464.271.404	Crank plate		0	6
12	464.271.402	Crank plate		6	8
13	420.452.030	Splined shaft		5	7
14	4109600	Crank shaft nut M40x1.75		12	16
15	406.460.190	Distance bush Ø60/Ø45.2 L=19.4		6	8
16	406.460.310	Distance bush Ø60/Ø45.2 L=31.4		6	8
17	468.021.004	Lock plate		12	16
18	802.140.650	Bolt M14 x 65 - ISO 4014		28	36
19	830.140.140	Self Lock Nut M14 - ISO 10511		28	36





ITEM	PART NUMBER	DESCRIPTION	REMARKS	QUA VC1600	QUA VC2100
1	900.260.403	Logo Label Rev.B		2	2
2	900.260.422	Decall PTO 350 540		1	1
3	900.280.402	Safety decall manual		1	1
4	911.260.402	Decall Verti-Core		3	3
5	911.280.402	Safety Decall Verti-Drain		2	2
6	911.280.404	Decall close cover		2	2
7	912.260.404	Label 1600		2	0
	912.260.406	Label 2100		0	2
8	912.260.408	Label Height Adjustment		2	2
9	900.280.404	Decall cut off fingers		2	2
10	912.260.407	Label "III"		2	2



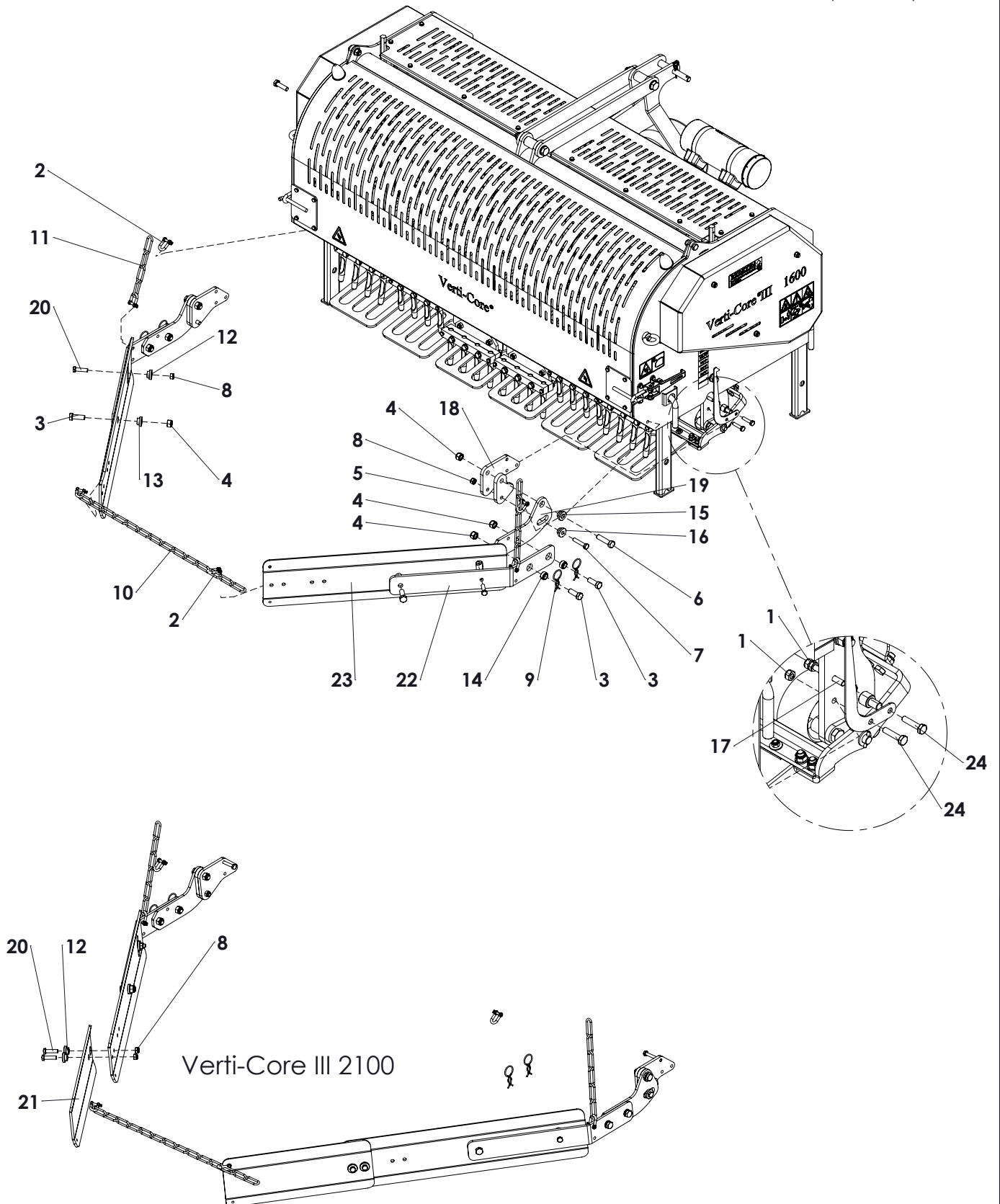
						VC 1600	VC 2100
<b>Solid tines</b>							
	<b>Mounting Ø(mm)</b>	<b>Tine Size (mm)</b>	<b>Tine Size (inch)</b>	<b>Part #</b>	<b>Adapter</b>		<b>Qua</b>
	19	10x100	3/8 x 4	39200-447	Tine holder 4 or 5 tines		32
	8	8x95	5/16 x 3 13/16	311.108.095	Multi-tine holder block		48
<b>Hollow tines</b>							
	<b>Mounting Ø(mm)</b>	<b>Tine Size (mm)</b>	<b>Tine Size (inch)</b>	<b>Part #</b>	<b>Adapter</b>	<b>Ejecting from</b>	<b>Qua</b>
	19	21x12x125	13/16 x 1/2 x 5	9990075	Tine holder 4 or 5 tines <b>Standard on Machine</b>	Side	24 or 30
	19	19x10x125	3/4 x 3/8 x 5	311.219.159	Tine holder 4 or 5 tines	Side	24 or 30
	19	19x10x110	3/4 x 3/8 x 4 3/8	311.219.158	Tine holder 4 or 5 tines	Top	24 or 30
	19	16x7x110	5/8 x 1/4 x 4 3/8	311.219.138	Tine holder 4 or 5 tines	Top	24 or 30
	8	10x6x80	3/8 x 1/4 x 3	311.210.080	Multi-tine holder block	Side	36
	7/8"	22x110	7/8 x 4 1/2	311.222.140	Multi-tine block for 3 or 4 tines with size 7/8"	Side	18 or 24
<b>Cross tines</b>							
	<b>Ø</b>	<b>Tine Size (mm)</b>	<b>Tine Size (inch)</b>	<b>Part #</b>	<b>Adapter</b>		<b>Qua</b>
	8	12 x 90	1/2 x 3 1/2	9990020	Multi-tine holder block		48
<b>Chisel tines</b>							
	<b>Ø</b>	<b>Tine Size (mm)</b>	<b>Tine Size (inch)</b>	<b>Part #</b>	<b>Adapter</b>		<b>Qua</b>
	19	5 x 30 x 90	3/16 x 1 3/16 x 3 1/2	311.619.127	Tine holder 4 or 5 tines		24 or 30
<b>Tine holder for 3 tines (only for tine size: 7/8")</b>							
	<b>Part name</b>			<b>Part #</b>			<b>Qua</b>
	Tine holder for 7/8" tines			466.122.554			6
	Contra block tine holder for 7/8" tines			472.302.554			6
	Bolt M12 x 50			802.120.500			12
	Bolt M8 x 60			802.080.600			12
	Self lock nut M8			830.030.080			12
Washer M12			864.120.030			12	
<b>Tine holder for 4 tines</b>							
	<b>Nr.</b>	<b>Part name</b>		<b>Part #</b>			<b>Qua</b>
	15	<b>Two options:</b>					
		Hollow tine 7/8" or 3/4" size		See tines			24
	16	Self lock nut M8		830.030.080			24
	17	<b>Two options:</b>					
		Tine holder for 7/8" tines		466.122.550			6
		Tine holder for 3/4" (19mm) tines		466.122.552	<b>Standard on machine</b>		6
	18	<b>Two options:</b>					
		Contra block tine holder for 7/8" tines		482.302.550			6
		Contra block tine holder for 3/4" (19mm) tines		472.302.552	<b>Standard on machine</b>		6
19	Washer M12		864.120.030			18	
20	Bolt M8 x 60		802.080.600			12	
21	Bolt M12 x 50		802.120.500			18	
<b>Multi tine holder</b>							
	<b>Kit name</b>			<b>Part #</b>			<b>Qua</b>
	Multi tine kit - Verti core 1600			212.160.014			1
	Multi tine kit - Verti core 2100			212.210.004			n/a
	<b>Nr.</b>	<b>Part name</b>		<b>Part #</b>			
	22	Self lock nut M10		830.100.100			12
	23	Hollow tine 10 x 6 x 80 (3/8" x 3 1/4")		See tines			48
	24	Solid tine 8 x 95 (5/16" x 3,875")		311.108.095			48
	25	Tine Securing Bolt M10 x 40		812.100.401			48
	26	Multi tine holder block		314.430.254			6
	27	Self lock nut M12		830.120.120			12
	28	Core catch plate		468.032.650			6
	29	Bolt M10 x 50		802.100.500			12
	30	Mushroom head bolt M12 x 35		820.120.350			12
	21	Angle support for adapter		464.062.500			6
<b>Tine holder for 5 tines (only for 3/4" tines)</b>							
	<b>Nr.</b>	<b>Part name</b>		<b>Part #</b>			<b>Qua</b>
	31	Bolt M6 x 60		802.060.600			12
	32	Washer M12		864.120.030			24
	33	Contra block tine holder		472.302.650			6
	34	Self lock nut M12		830.120.120			12
	35	Mushroom head bolt M12 x 35		820.120.035			12
	36	Core catch plate		468.032.650			6
	37	Self lock nut M6		830.060.060			12
	38	Tine holder		466.122.650			6
	39	Hollow Tine 19 x 110 (3/4" x 4 1/2")		311.219.138			30
40	Bolt M12 x 50		802.120.500			24	



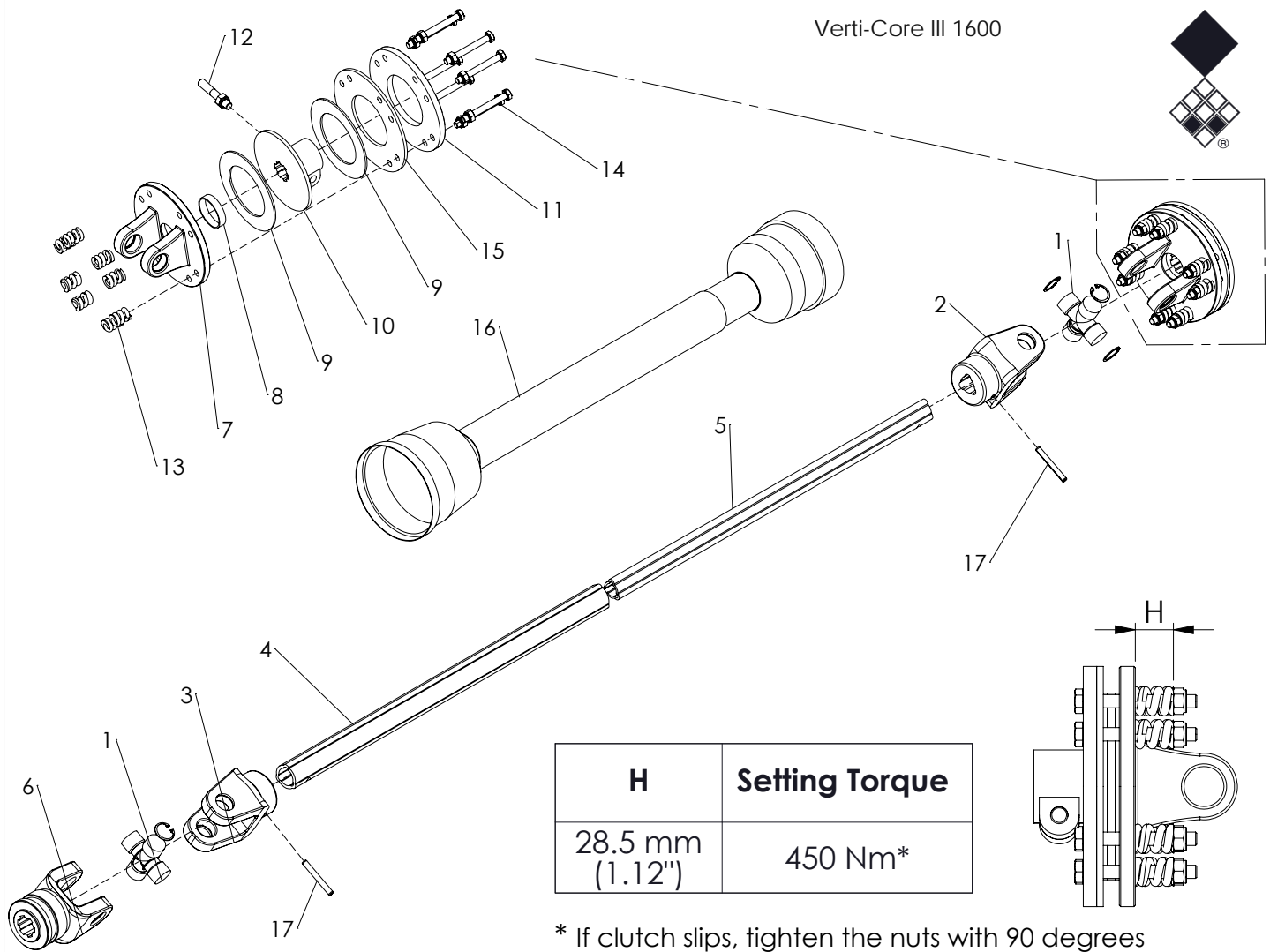
Front roller support  
(468.155.750)

Height indicator  
(468.032.750)

**18**  
Replace distance  
bushes (406.11.140)



ITEM	PART NUMBER	DESCRIPTION	REMARKS	QUA VC1600	QUA VC2100
1	830.100.100	Self Lock Nut M10 - ISO 10511		4	4
2	846.080.241	D-Shackle D8		6	6
3	804.160.450	Bolt M16 x 45 - ISO 4017		6	6
4	830.160.160	Self Lock Nut M16 - ISO 10511		8	8
5	468.151.250	Distance plate		2	2
6	802.160.650	Bolt M16 x 65 - ISO 4014		2	2
7	802.120.600	Bolt M12 x 60 - ISO 4014		2	2
8	830.120.120	Self Lock Nut M12 - ISO 10511		4	6
9	523.030.752	Special R-clip d3		4	4
10	846.069.800	Chain D=6 L=980		1	1
11	846.064.300	Chain D=6mm L=430mm		2	2
12	406.130.150	Distance bush		2	6
13	406.160.150	Distance bush		2	2
14	406.170.150	Distance bush		4	4
15	404.170.180	Distance bush		2	2
16	404.130.180	Distance bush		2	2
17	802.100.750	Bolt M10 x 75 - ISO 4014		2	2
18	468.121.900	Mount strip windrow kit		2	2
19	468.103.002	Pivot plate		2	2
20	802.120.450	Bolt M12 x 45 - ISO 4014		2	6
21	468.085.500	Windrow plate extension		0	2
22	464.106.350	Windrow support		2	2
23	468.089.000	Windrow plate		2	2
24	802.100.450	Bolt M10 x 45 - ISO 4014		4	4
	212.160.018	Complete windrow kit Verti-Core III 1600			
	212.210.002	Complete windrow kit Verti-Core III 2100			



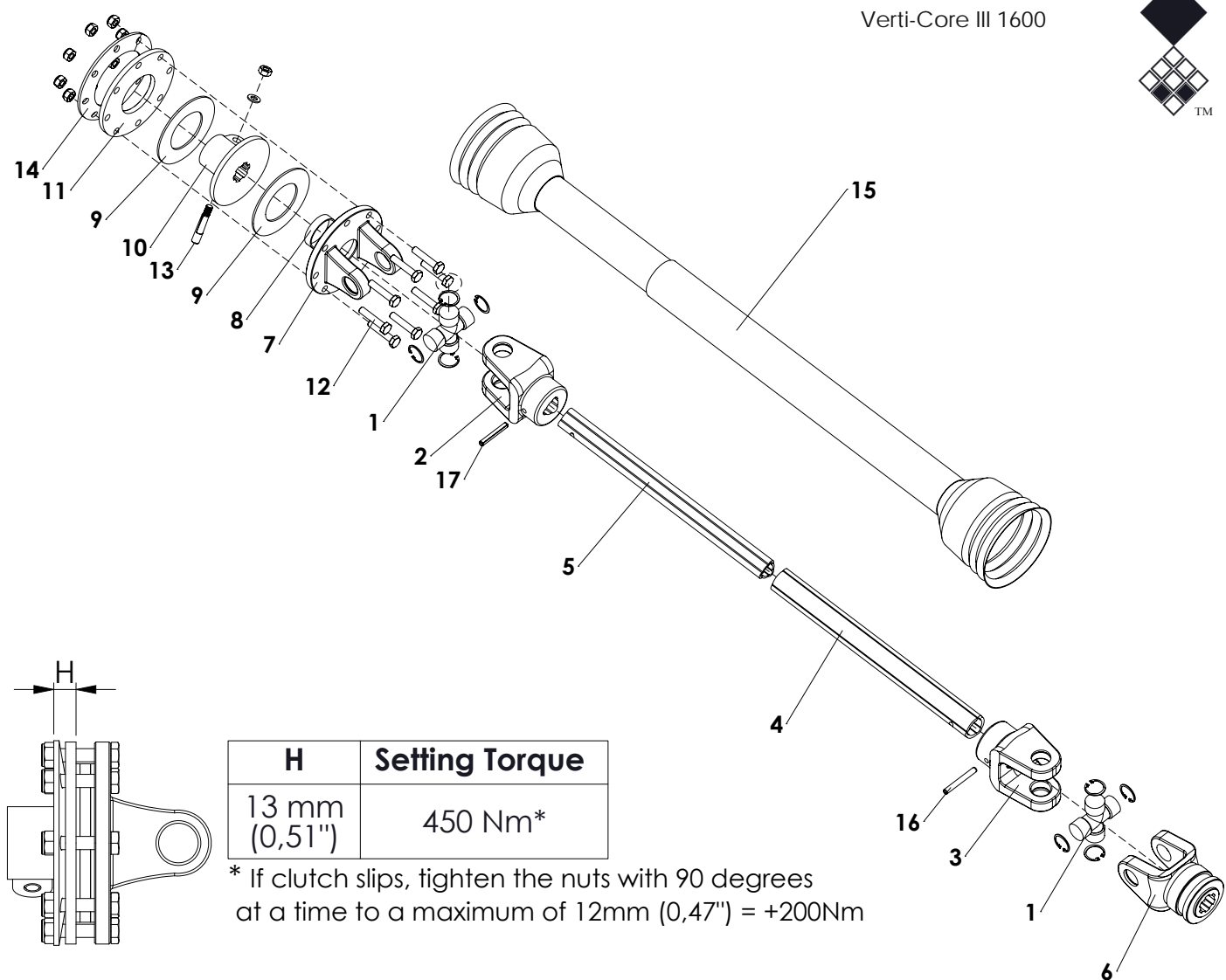
H	Setting Torque
28.5 mm (1.12")	450 Nm*

\* If clutch slips, tighten the nuts with 90 degrees at a time to a maximum of 27.5mm (1.08") = +150Nm

**ALWAYS** deburr parts when cut  
**MEASURE** correct length of PTO first  
**MAINTAIN** slipclutch every month  
**NEVER USE** PTO over 30 degrees  
**SLIPCLUTCH** always on machine side

ITEM	PART NUMBER	DESCRIPTION	REMARKS	QUA
1	BEN PT140106	Universal joint assembled		2
2	BEN PT148813	Inner tube yoke		1
3	BEN PT143860	Outer tube yoke		1
4	BEN PT150516	Tubing cut to size	Cut to correct length	1
5	BEN PT150544	Tubing cut to size	Cut to correct length	1
6	BEN PT140106	End yoke with quick lock		1
7	BEN F1L04	Flange yoke		1
8	BEN F060	Bush		1
9	BEN F030/S	Lining ring		2
10	BEN F138	Hub		1
11	BEN F1180	Pressure plate		1
12	BEN 90938	Conic bolt and nut		1
13	BEN F0110	Spring		8
14	BEN F10085	Bolt and nut		8
15	BEN F070	Inner plate		1
16	BEN PT170005	Safety guard group	Cut to correct length	1
17	190000014	Roll Pin 8 x 65		2
	611.409.100	PTO shaft type T-40 tl 910		
	611.405.100	PTO shaft type T-40 tl 510		

Verti-Core III 1600



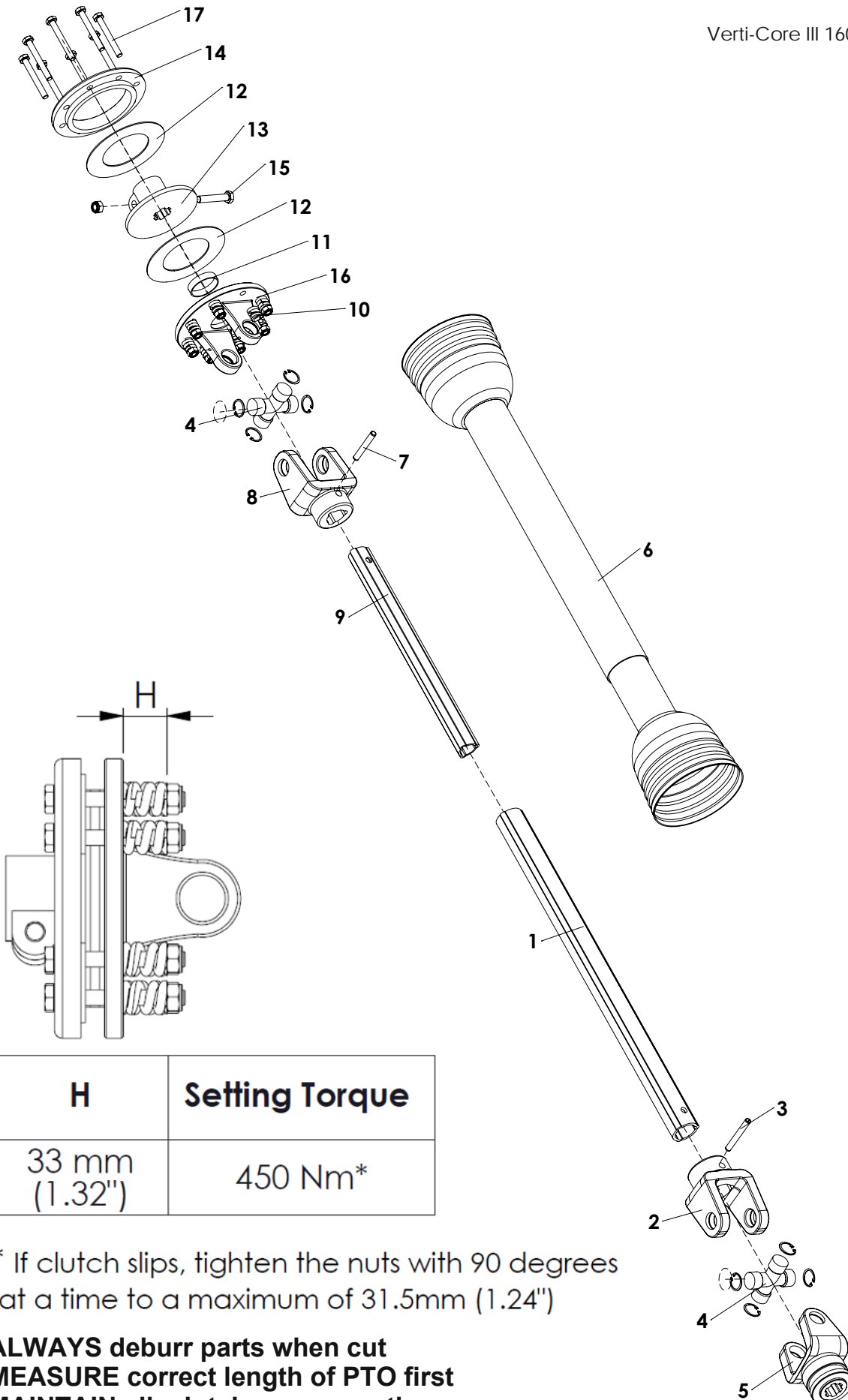
H	Setting Torque
13 mm (0,51")	450 Nm*

\* If clutch slips, tighten the nuts with 90 degrees at a time to a maximum of 12mm (0,47") = +200Nm

**ALWAYS** deburr parts when cut  
**MEASURE** correct length of PTO first  
**MAINTAIN** slipclutch every month  
**NEVER USE** PTO over 30 degrees  
**SLIPCLUTCH** always on machine side

ITEM	PART NUMBER	DESCRIPTION	REMARKS	QUA
1	180014130	Cross and 4x circlip kit		2
2	1510140071	Inner tube yoke type 40		1
3	1410140061	Outer tube yoke type 40		1
4	1521406620700	T40-series Outer tube	Cut to correct length	1
5	153140519	T40-series Inner tube	Cut to correct length	1
6	1410244301	Complete collar yoke type 40		1
7	1510143791	Flanged yoke T40		1
8	180015020	Bush		1
9	180014019	Lining ring		2
10	1510148401	Hub T40		1
11	1800175681	Pressure plate		1
12	165000858	Bolt & nut M10 x 1,5 x 50		8
13	165000588	Tapered Pin 1 3/8" kit	Retighten every 40 hours	1
14	180017425	Belleville spring		1
15	1423400167451	Complete guard 40-series	Cut to correct length	1
16	190000014	Roll Pin 8 x 65		1
17	190000012	Roll Pin 8 x 55		1
	400510	Complete PTO T40		
	400910	Complete PTO T40		

Verti-Core III 1600



H	Setting Torque
33 mm (1.32")	450 Nm*

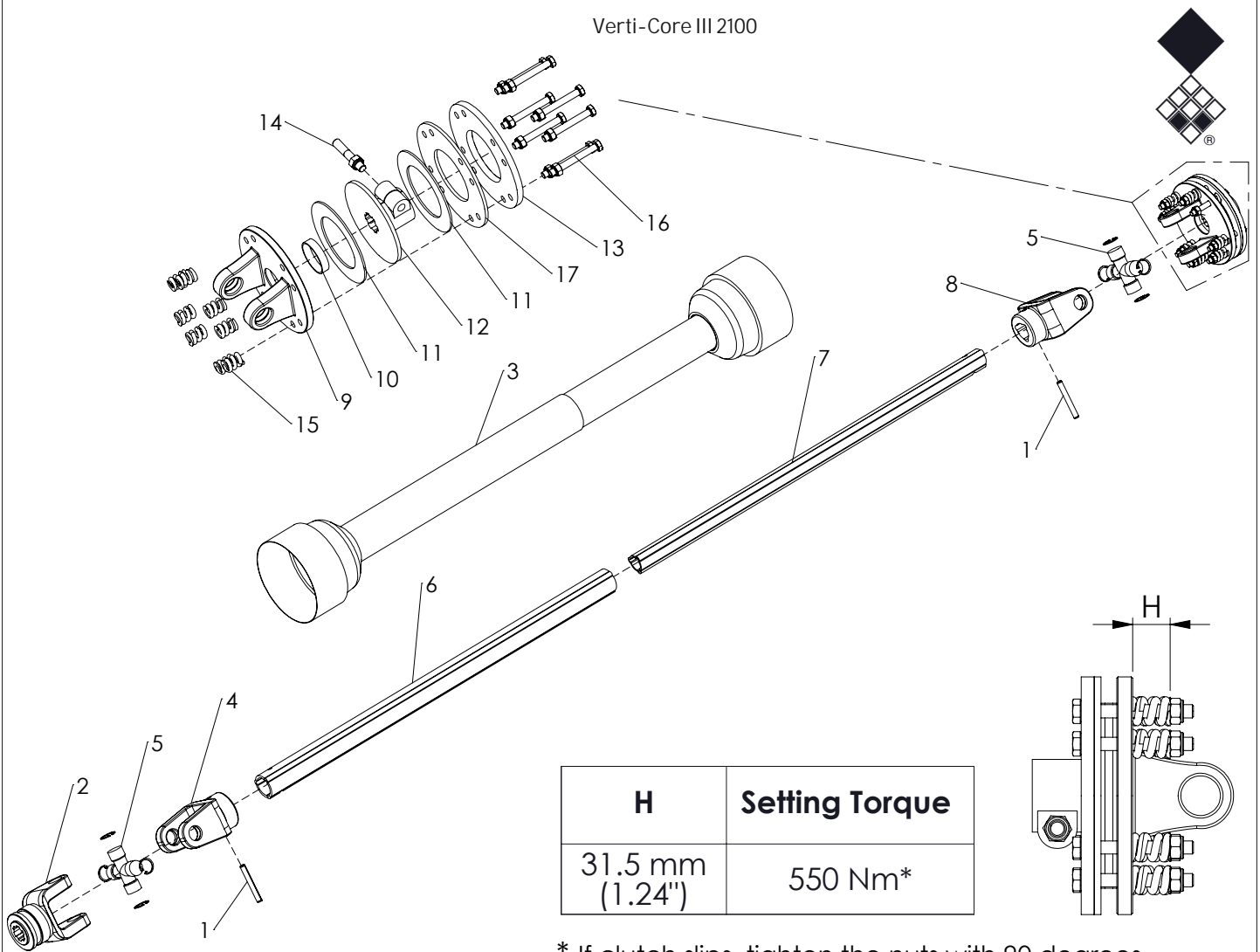
\* If clutch slips, tighten the nuts with 90 degrees at a time to a maximum of 31.5mm (1.24")

**ALWAYS** deburr parts when cut  
**MEASURE** correct length of PTO first  
**MAINTAIN** slipclutch every month  
**NEVER USE** PTO over 30 degrees  
**SLIPCLUTCH** always on machine side



ITEM	PART NUMBER	DESCRIPTION	REMARKS	QUA
1	152140207	Outer tube		1
2	151014006	Outer tube yoke		1
3	190000014	Outer roll pin		1
4	180014130	Cross and 4x circlip kit		2
5	141024430	Complete collar yoke		1
6	1422400307430	Complete guard	Cut to correct length	1
7	190000012	Inner roll pin		1
8	151004007	Inner tube yoke		1
9	153140107	Inner tube		1
10	180014022	Spring		8
11	180015020	Bush		1
12	180014019	Lining ring		2
13	151014018	Hub		1
14	180014020	Pressure plate		1
15	165000502	Bolt and Nut	Retighten every 40 hours	1
16	151014017	Flanged yoke		1
17	165000501	Bolt and nut		8
	400510	Complete PTO		
		ALWAYS deburr parts when cut		
		MEASURE correct length of PTO first		
		MAINTAIN slipclutch every month		
		NEVER USE PTO over 30 degrees angle		
		SLIPCLUTCH always on machine side		

Verti-Core III 2100



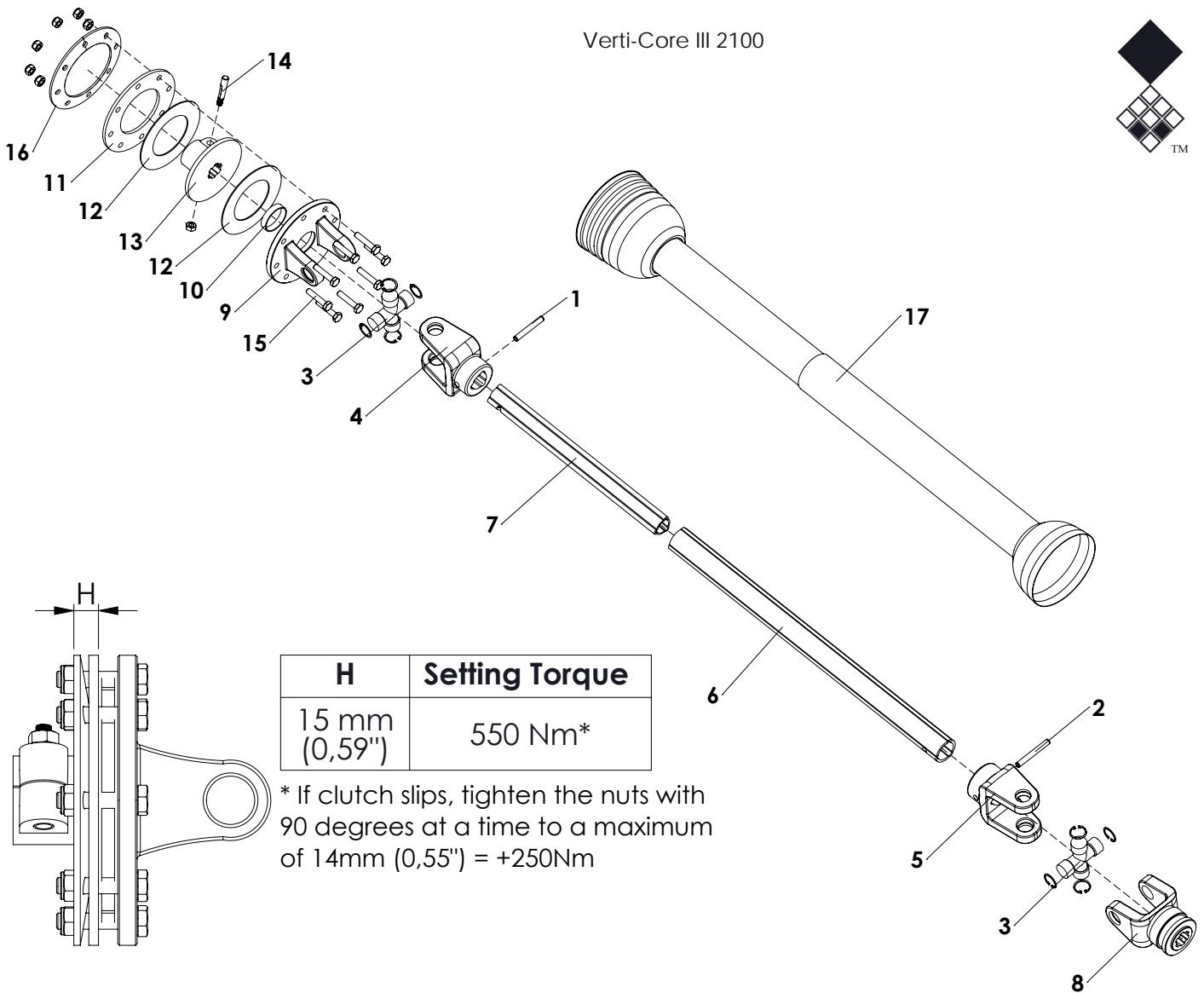
H	Setting Torque
31.5 mm (1.24")	550 Nm*

\* If clutch slips, tighten the nuts with 90 degrees at a time to a maximum of 30.5mm (1.20") = +200Nm

**ALWAYS** deburr parts when cut  
**MEASURE** correct length of PTO first  
**MAINTAIN** slipclutch every month  
**NEVER USE** PTO over 30 degrees  
**SLIPCLUTCH** always on machine side

ITEM	PART NUMBER	DESCRIPTION	REMARKS	QUA
1	19000018	Outer roll pin		2
2	BEN PT140119	End yoke with quick lock		1
3	BEN PT143249	Safety guard group	Cut to correct length	1
4	BEN PT143666	Outer tube yoke		1
5	BEN PT151242	Universal joint assembled		2
6	BEN PT154926	Tubing cut to size	Cut to correct length	1
7	BEN PT157727	Tubing cut to size	Cut to correct length	1
8	BEN PT158836	Inner tube yoke		1
9	BEN F1B06	Flange yoke		1
10	BEN F060	Bush		1
11	BEN F030/S	Lining ring		2
12	BEN F138	Hub		1
13	BEN F1180	Pressure plate		1
14	BEN 90938	Conic bolt and nut		1
15	BEN F0110	Spring		8
16	BEN F10085	Bolt and nut		8
17	BEN F070	Inner plate		1
	611.601.200	PTO shaft type T-60 tl 1200		
	611.606.100	PTO shaft type T-60 tl 610		

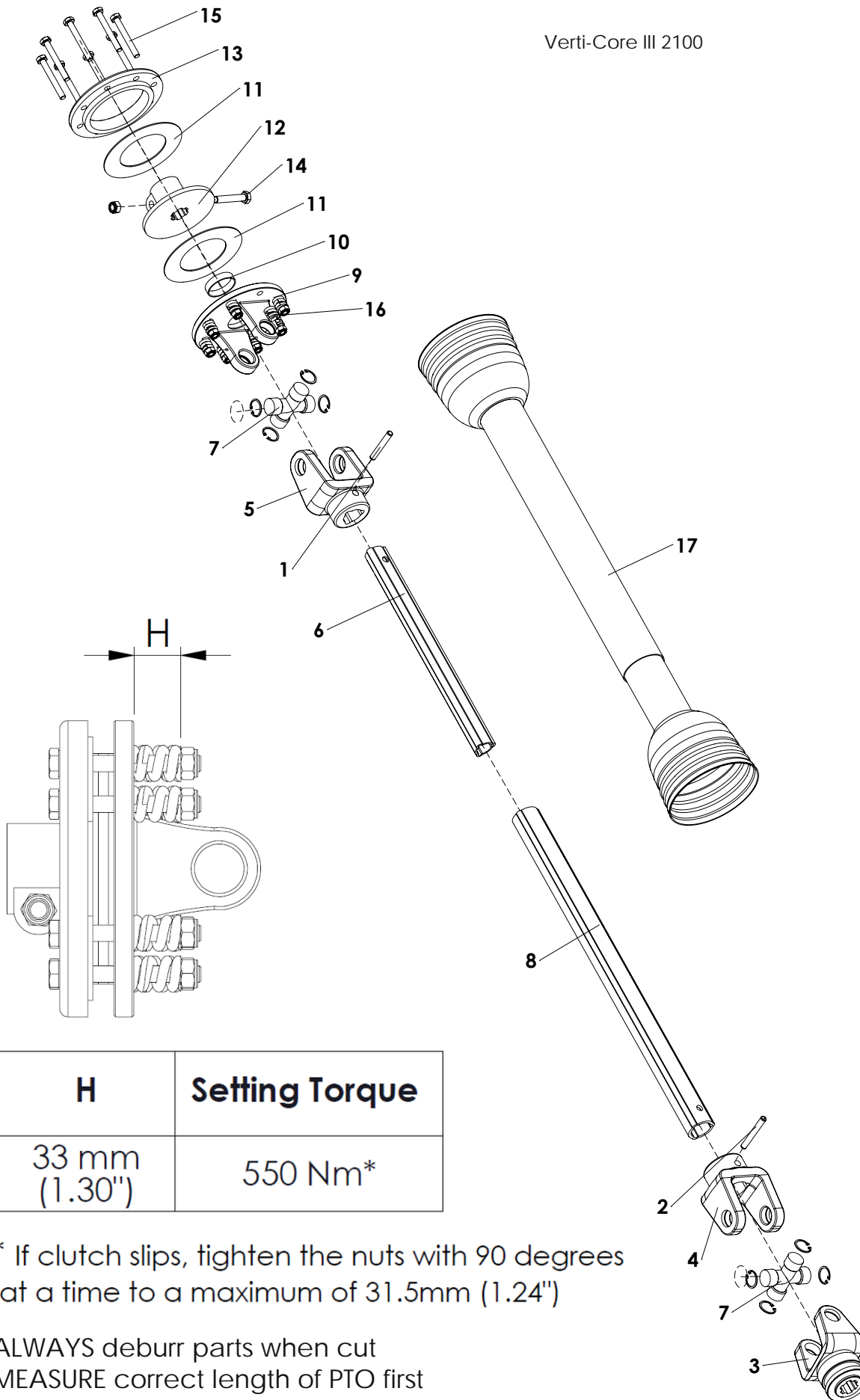
Verti-Core III 2100



**ALWAYS** deburr parts when cut  
**MEASURE** correct length of PTO first  
**MAINTAIN** slipclutch every month  
**NEVER USE** PTO over 30 degrees  
**SLIPCLUTCH** always on machine side

ITEM	PART NUMBER	DESCRIPTION	REMARKS	QUA
1	19000016	Inner roll pin		1
2	19000018	Outer roll pin		1
3	180016130	Cross and 4x circlip kit		2
4	1510160291	Inner tube yoke type 60		1
5	1510160281	Outer tube yoke type 60		1
6	1521604610700	T60-series Outer tube	Cut to correct length	1
7	153150334	T60-series Inner tube	Cut to correct length	1
8	1410265441	Complete collar yoke type 60		1
9	1510168091	Flanged yoke T60		1
10	180015020	Bush		1
11	180017569	Pressure plate		1
12	180015019	Lining ring		2
13	1510169321	Hub T60		1
14	165000588	Tapered Pin 1 3/8" kit	Retighten every 40 hours	1
15	165000858	Bolt & nut M10 x 1,5 x 50		8
16	180017426	Belleville spring		1
17	1423600167651	Complete guard 60-series	Cut to correct length	1
	600610	Complete PTO T60		
	601010	Complete PTO T60		

Verti-Core III 2100



H	Setting Torque
33 mm (1.30")	550 Nm*

\* If clutch slips, tighten the nuts with 90 degrees at a time to a maximum of 31.5mm (1.24")

ALWAYS deburr parts when cut  
 MEASURE correct length of PTO first  
 MAINTAIN slipclutch every month  
 NEVER USE PTO over 30 degrees  
 SLIPCLUTCH always on machine side

ITEM	PART NUMBER	DESCRIPTION	REMARKS	QUA
1	190000016	Inner roll pin		1
2	190000018	Outer roll pin		1
3	141026108	Complete collar yoke type 60		1
4	151016028	Outer tube yoke type 60		1
5	151016029	Inner tube yoke type 60		1
6	153160150	T60-series Inner tube		1
7	180016130	Cross and 4x circlip kit		2
8	152160475	T60-series Outer tube		1
9	151016039	Flanged yoke T60		1
10	180015020	Bush		1
11	180015019	Lining ring		2
12	151015018	Hub T60		1
13	180015021	Pressure plate		1
14	165000502	Bolt and Nut	Retighten every 40 hours	1
15	165000501	Bolt and nut		8
16	180014022	Spring		8
17	1422602987630	Complete guard 60-series	Cut to correct length	1
	600610	Complete PTO		
		ALWAYS deburr parts when cut		
		MEASURE correct length of PTO first		
		MAINTAIN slipclutch every month		
		NEVER USE PTO over 30 degrees angle		
		SLIPCLUTCH always on machine side		