

# VERTI-DRAIN 7316



Version: 2134

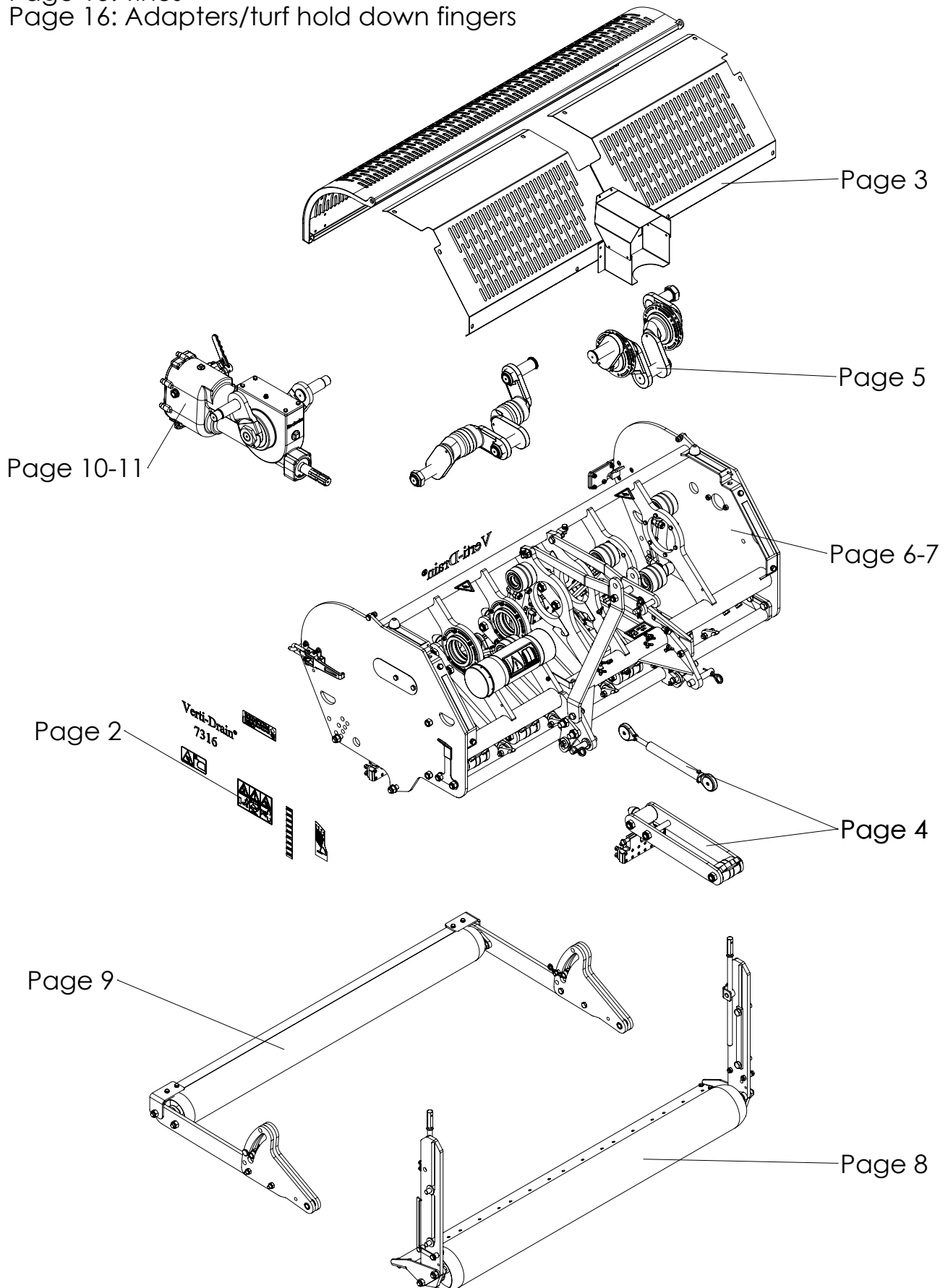


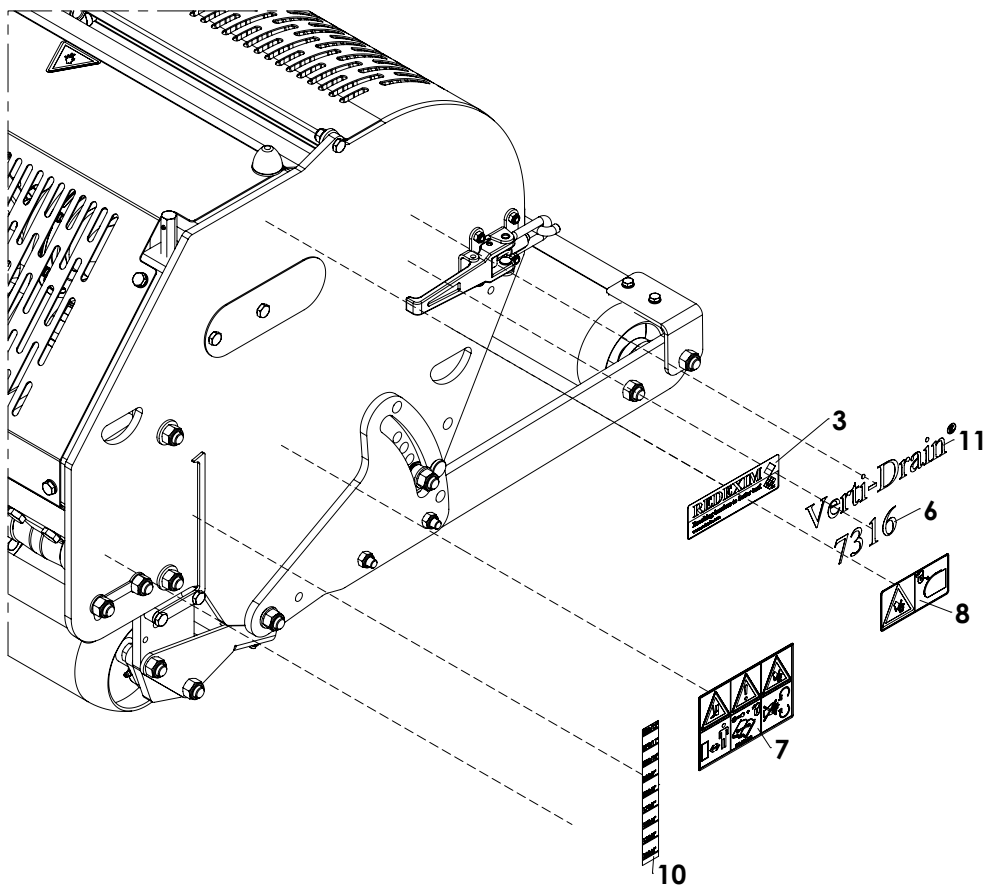
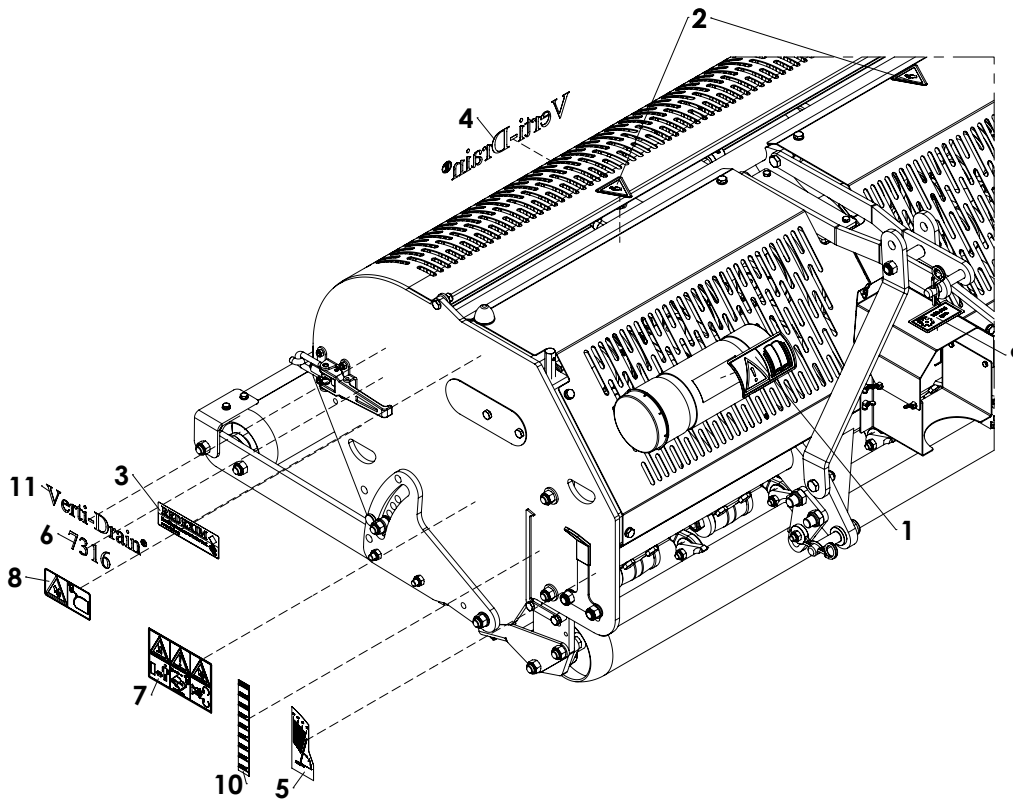
Kwekerijweg 8 | 3709JA | Zeist | The Netherlands |  
T: +31 (0)306 933 227  
E: [redexim@redexim.com](mailto:redexim@redexim.com)  
W: [www.redexim.com](http://www.redexim.com)





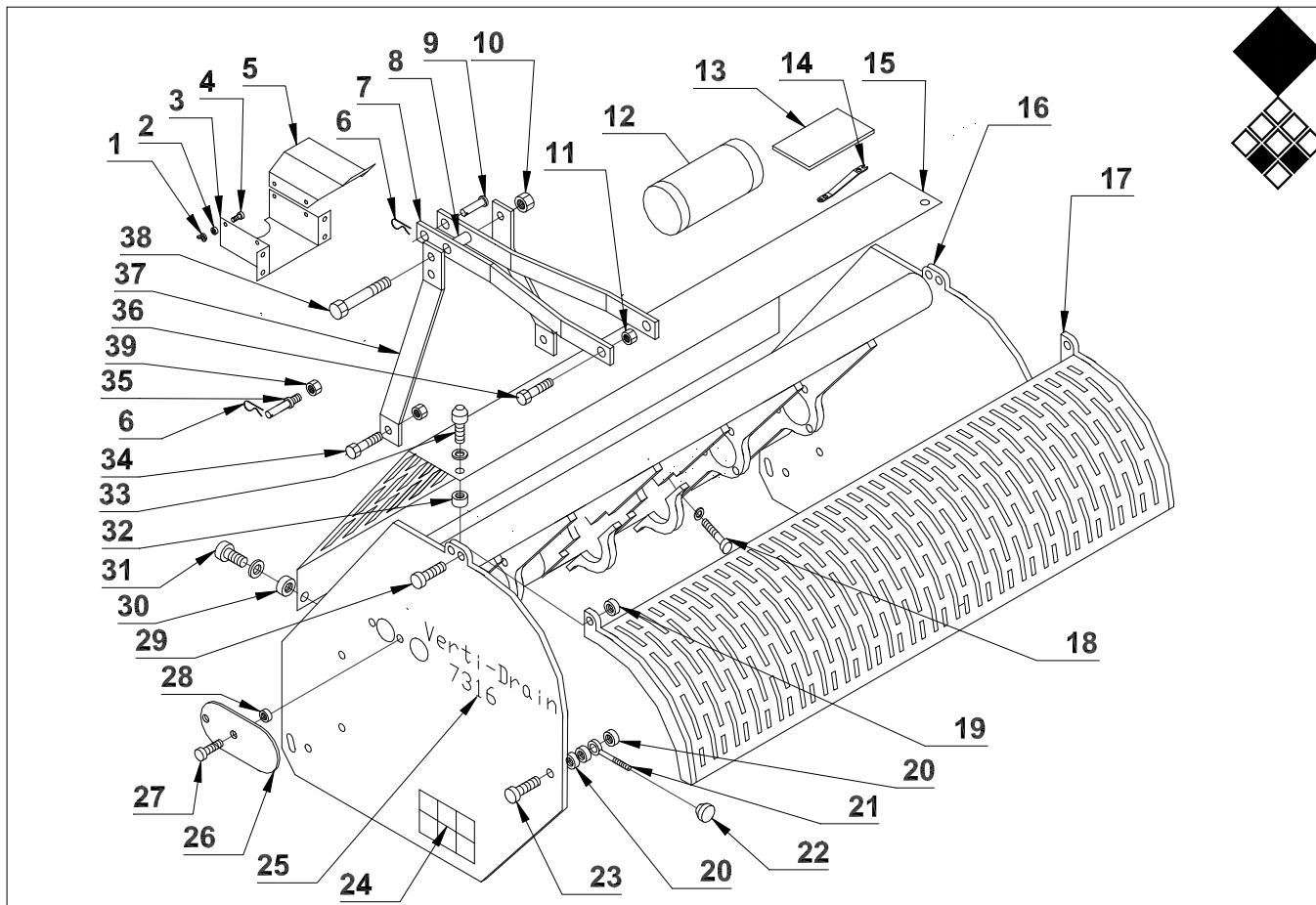
- Page P: PTO
- Page 12: Optional wheel kit
- Page 13: Optional core collector
- Page 14: Optional windrow kit
- Page 15: Tines
- Page 16: Adapters/turf hold down fingers





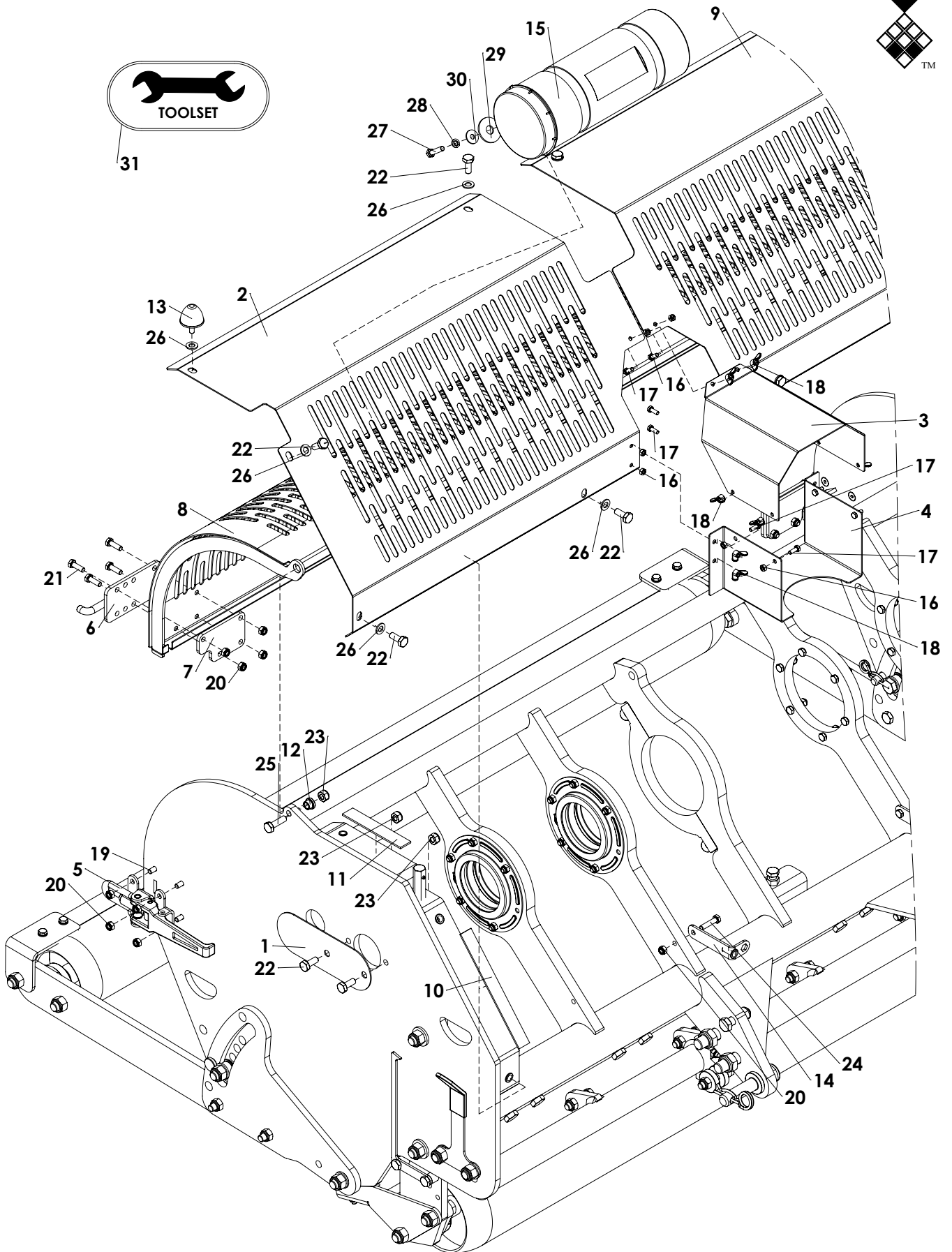
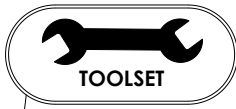
ITEM	PART NUMBER	DESCRIPTION	REMARKS	QUA
1	900.280.402	Safety decall manual		1
2	900.280.404	Decall cut off fingers		2
3	900.260.403	Logo Label		2
4	911.260.402	Decall Verti-drain		1
5	911.260.404	Angle setting label VD right		1
6	911.260.410	Label 7316		2
7	911.280.402	Safety Decall Verti-Drain		2
8	911.280.404	Decall close cover		2
9	900.260.420	Decall PTO 300 500		1
10	900.260.410	Height label 300		2
11	911.260.403	Decall Verti-drain		2





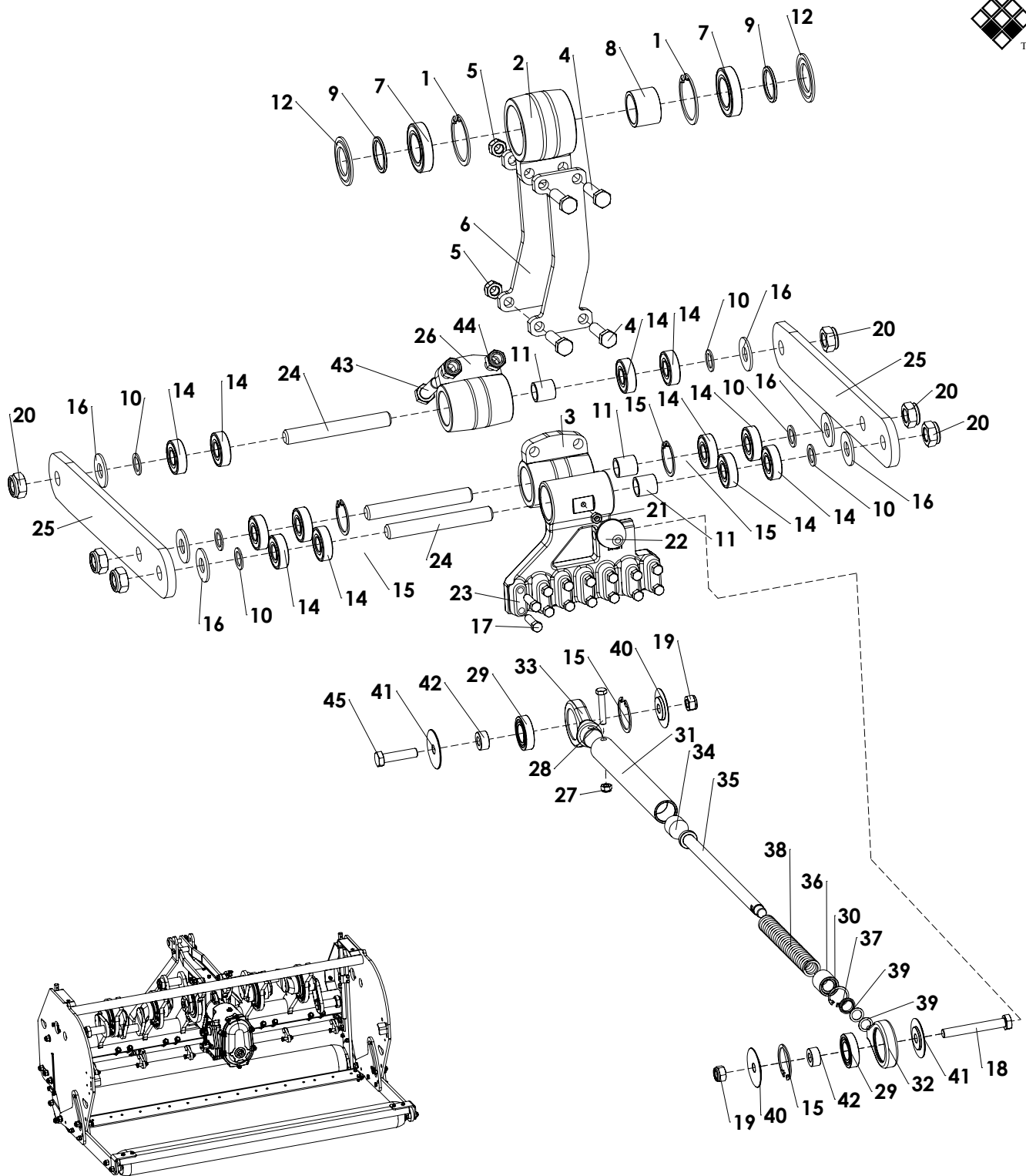
Redexim-Charterhouse Verti-Drain 7316 pag 03-1 code 0401

	PART #	DESCRIPTION	REMARKS	QUA
1	4191100	Winged nut		10
2	4100800	Self lock nut M6		10
3	2282183	Bottom PTO protection cover		1
4	4001030	Bolt M6 x 16		10
5	2281782	Top PTO protection cover		1
6	4397008	R pin		3
7	2251389	Top linkage strip		2
8	2611518	Distance bush top link		1
9	2490825	Top link pin		1
10	4123800	Self lock nut M16		1
11	4123200	Self lock nut M14		2
12	9100030	Manual/ tool box complete		1
13	9200004	Operators and parts manual 7316		1
14	9100025	Combi tool		1
15	2211500	Front cover 7316		1
16	2306002	Main frame 7316		1
17	2282184	Rear cover 7316		1
18	4012114	Gearbox fix bolt 7316		4
19	4122000	Self lock nut M10		2
20	4122000	Self lock nut M10		6
21	4091050	Eye bolt		2
22	2891200	Knurled nut		2
23	4001688	Bolt M 10 x 50		2
24	9200002	Set safety decalls		1
25	9200000	Set machine decalls for 7316		1
26	2281736	Protection plate		2
27	4001644	Bolt M10 x 25		4
28	4122000	Self lock nut M10		4
29	4001653	Bolt M10 x 30		2
30	4122000	Self lock nut M10		6
31	4001644	Bolt M10 x 25		6
32	4121400	Self lock nut M8		2
33	4972008	Rubber stop		2
34	4002050	Bolt M14 x 50		2
35	2490881	3-point bottom pin		2
36	4002050	Bolt M14 x 50		2
37	2251817	Top linkage support strip		2
38	4002416	Bolt M16 x 130		1
39	4125800	Self lock nut M22		2



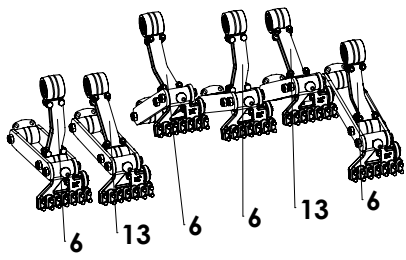


ITEM	PART NUMBER	DESCRIPTION	REMARKS	QUA
1	2281736	Cover		2
2	456.079.046	Front cover 7316 right		1
3	2281782	TOP PTO protection cover		1
4	2282183	Bottom PTO Protection		1
5	590.342.700	Clamp		2
6	470.061.710	Lock plate		2
7	468.061.100	Rear plate		2
8	456.161.037	Rear cover 7316/7416		1
9	456.079.045	Front cover 7316 left		1
10	599.032.200	Foam rubber L=220		2
11	599.031.400	Foam rubber L=140		2
12	404.100.122	Distance bush		2
13	446.080.550	Rubber stop		2
14	464.041.060	Bracket		2
15	444.803.100	Toolbox Complete		1
16	826.060.060	Nut M6 - DIN 934		10
17	804.060.160	Bolt M6 x 16 - ISO 4017		10
18	844.060.060	Winged nut		10
19	816.080.250	Bolt M8x25 DIN 7991		8
20	830.080.080	Self Lock Nut M8 - ISO 10511		18
21	804.080.250	Bolt M8 x 25 - ISO 4017		8
22	804.100.250	Bolt M10 x 25 - ISO 4017		12
23	830.100.100	Self Lock Nut M10 - ISO 10511		6
24	802.080.350	Bolt M8 x 35 - ISO 4014		2
25	804.100.350	Bolt M10 x 35 - ISO 4017		2
26	864.100.030	Washer M10 - ISO 7089		10
27	804.080.350	Bolt M8 x 35 - ISO 4017		2
28	866.080.020	Spring Washer M8 - DIN 127		2
29	864.140.031	Large washer M14 - DIN 9021		2
30	864.080.024	Large washer M8 - DIN 9021		2
				1
31	468.083.060	Set of tools		

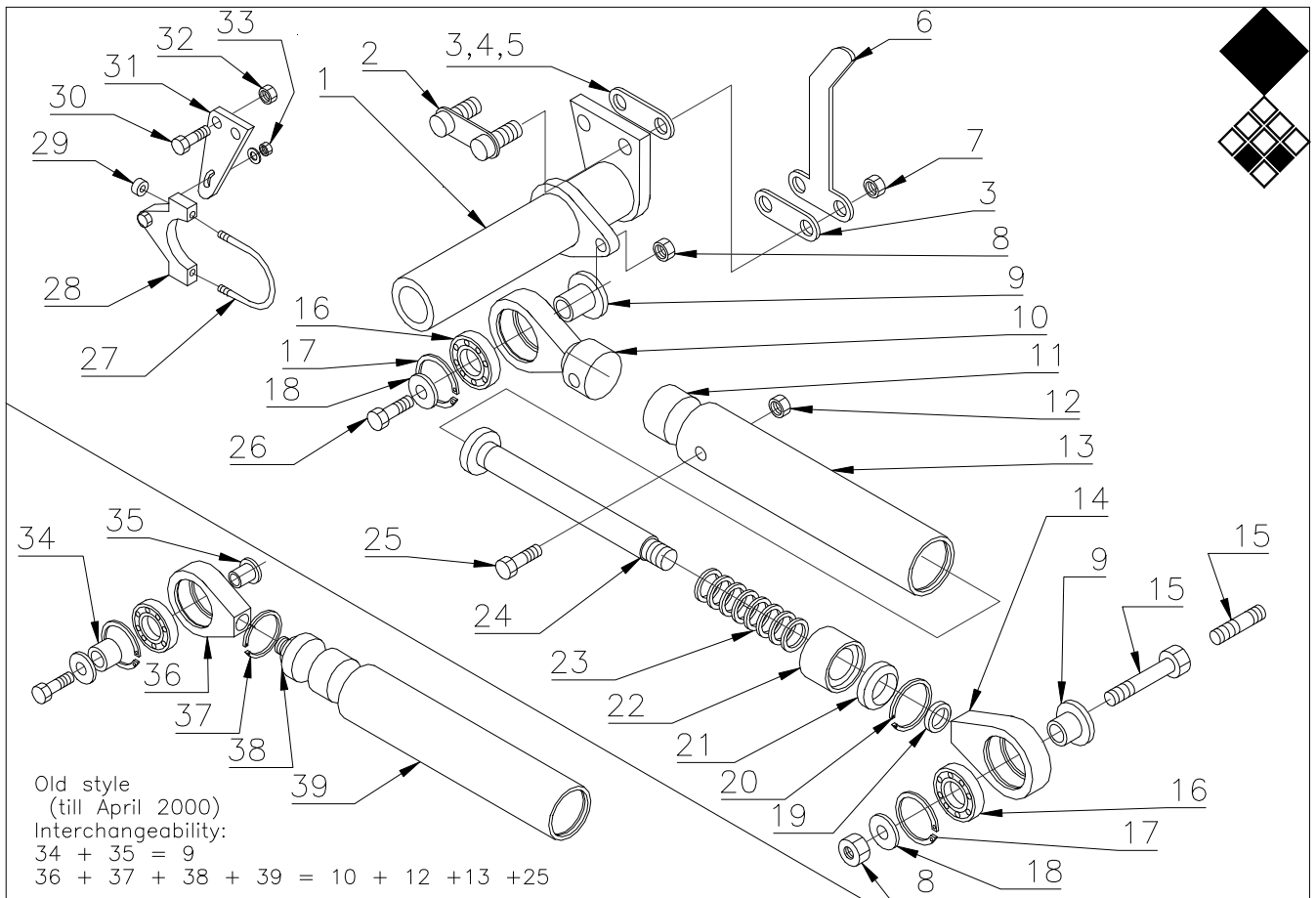


46 Apply 40ml gease inside drawrod

430mm ± 2mm  
Use shim 864.140.012 to create this length



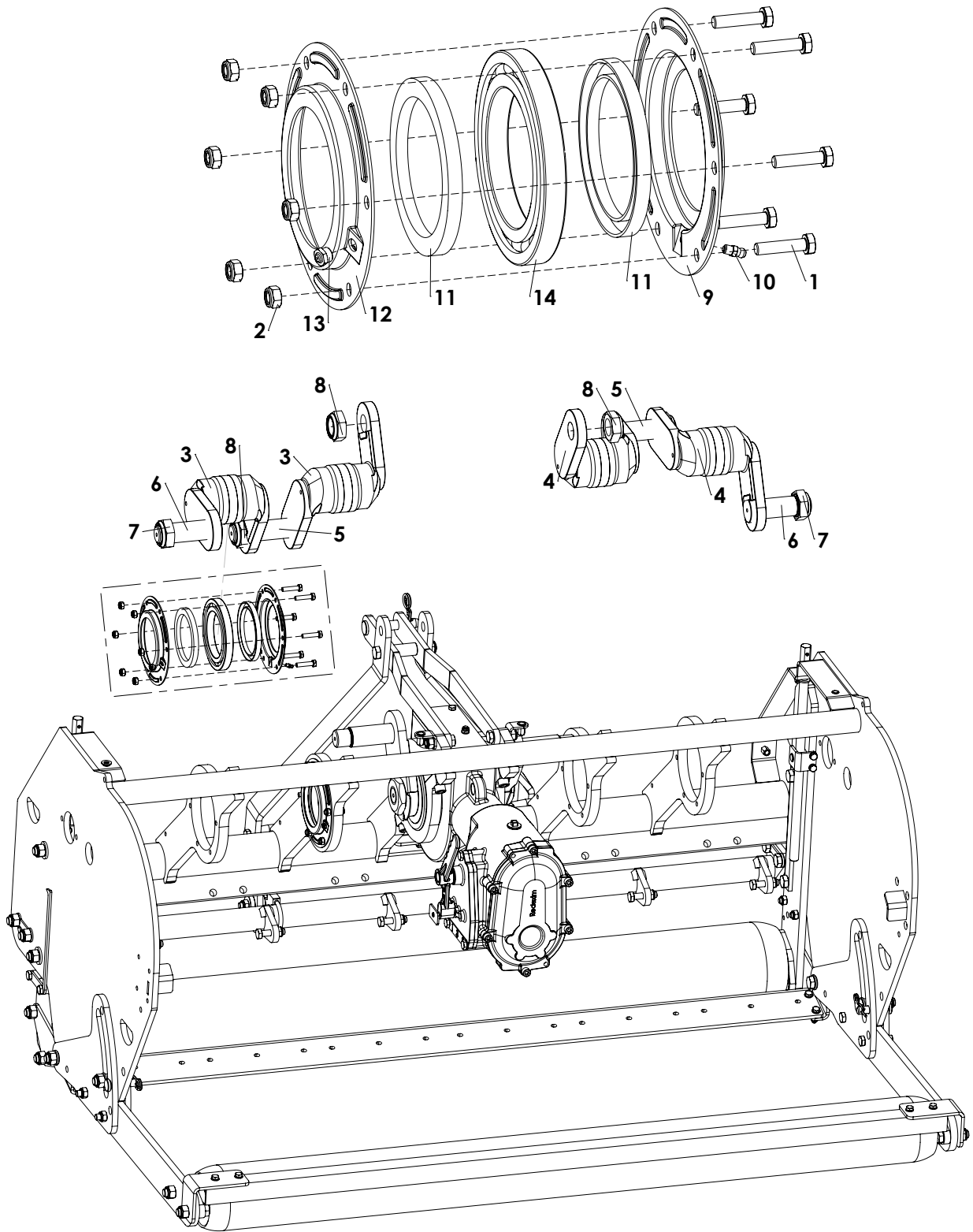
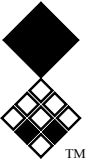
ITEM	PART NUMBER	DESCRIPTION	REMARKS	QUA
1	872.068.250	Circlip D=68 - DIN 472		2
2	448.125.076	Big end empty		1
3	2431506	Bearing support	Without circlips	1
	2431506	Bearing support	With circlips 872.047.180	1
4	802.140.550	Bolt M14 x 55 - ISO 4014 - 10.9		4
5	830.140.140	Self Lock Nut M14 10.9 - ISO 10511		4
6	2381860	Connecting plate centre		8
7	713.400.150	Bearing 6008 LLU		2
8	2604016	Inner bush		1
9	2661406	Distance washer		2
10	2602012	Shim Ø30/Ø20.5 D=2		6
11	2602004	Inner bush		3
12	2661422	Dust cover		2
13	2381862	Connecting plate middle		4
14	713.200.140	Bearing 6204-C-2HRS		12
15	872.047.180	Circlip DIN 472 - 47 x 1.75		8
16	2602006	Dust cover		6
17	4001675	Tine holder bolt M10x35		14
18	802.120.900	Bolt M12 x 90 - ISO 4014		1
19	830.120.120	Self Lock Nut M12 - ISO 10511 Class 10.9	Quantity for one element	2
20	830.200.200	Self Lock Nut M20 Din 985 h=17		6
21	826.080.080	Nut M8 - DIN 934		1
22	446.080.550	Rubber stop		1
23	492.702.220	Tineholder 7316		1
24	2490432	Support axis		3
25	2941402	Element strip		2
26	448.090.100	Bearing support	Check your machine	1
	2431506	Bearing support	Check your machine	1
27	830.080.080	Self Lock Nut M8 - ISO 10511		1
28	802.080.450	Bolt M8 x 45 - ISO 4014		1
29	713.250.120	Bearing 6005-LLU		2
30	872.028.130	Circlip D=28 - DIN 472		1
31	2381858	Tube for drawrod		1
32	448.640.820	Draw rod head with hole		1
33	448.640.960	Draw rod head with stud		1
34	446.280.200	Rubber stop		1
35	2282141	Draw rod		1
36	442.180.300	Bearing bush		1
37	761.160.030	Seal		1
38	4781204	Compression spring		1
39	864.140.012	Shim S=1	Use to make drawrod the correct size	2
40	404.120.050	Dust washer Ø55/Ø32/Ø12 L=5.2		2
41	404.120.040	Dust washer Ø55/Ø32/Ø12 L=4.25		2
42	406.120.120	Distance bush Ø25/Ø12 L=12		2
43	802.160.600	Bolt M16 x 60 - ISO 4014 - 10.9	Check your machine	2
	802.140.550	Bolt M14 x 55 - ISO 4014 - 10.9	Check your machine	2
44	830.160.160	Self Lock Nut M16 10.9 - ISO 10511	Check your machine	2
	830.140.140	Self Lock Nut M14 10.9 - ISO 10511	Check your machine	2
45	802.120.500	Bolt M12 x 50 - ISO 4014 - 10.9		6
46	490.344.300	Drawrod complete	Total needed	6



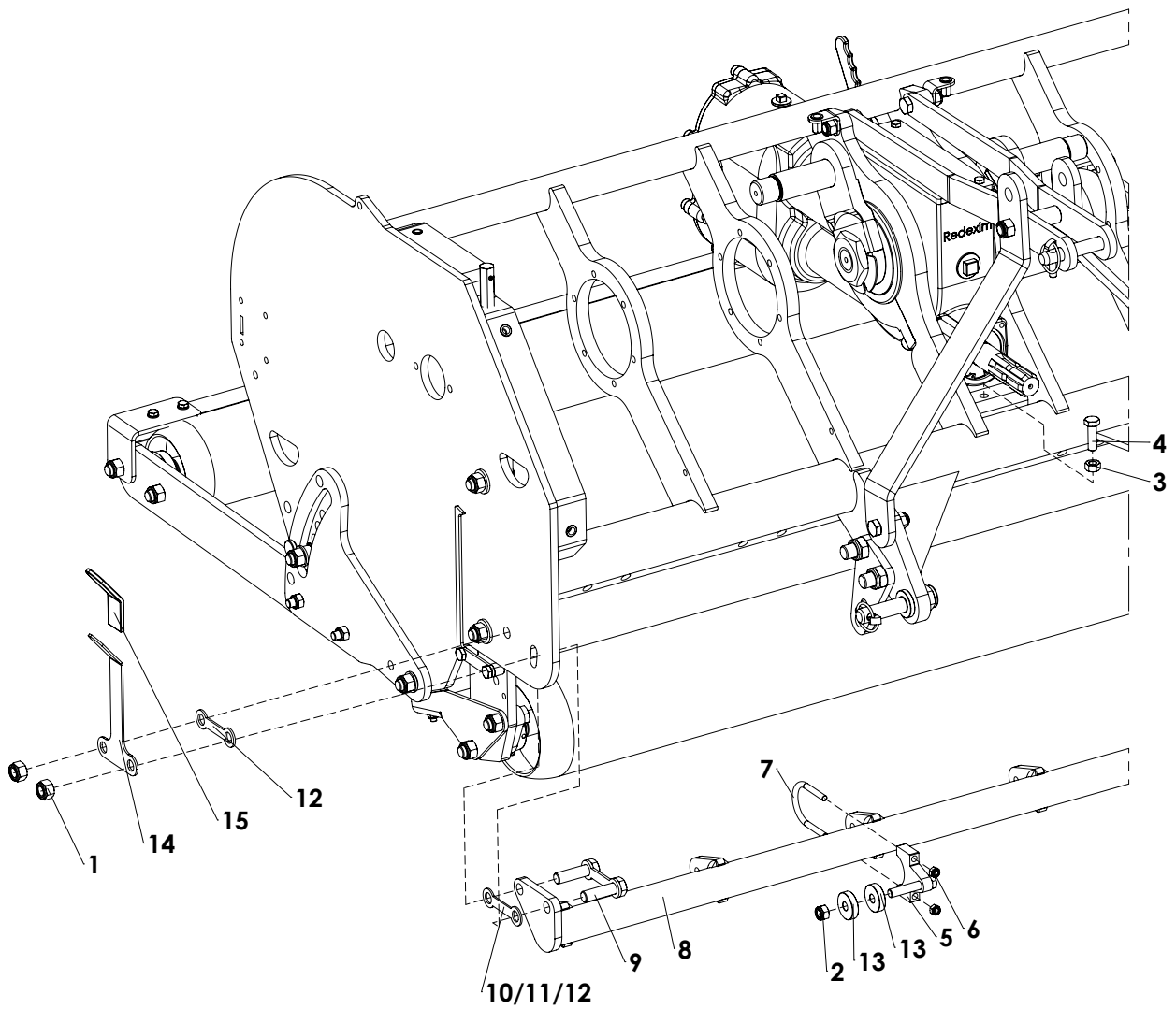
**Redxim-Charterhouse Verti-Drain 7316 pag 04-1 code 1004**

PART #	DESCRIPTION	REMARKS	QUA
1	2381812	Central draw bar 7316	1
2	2282106	Bolt assembly	2
3	2611527	Distance plate 3 mm thick	4
4	2611528	Distance plate 2.5 mm thick	Use to calibrate, option
5	2611530	Distance plate 2.0 mm thick	Use to calibrate, option
6	2281749	Handle for angle adjustment	1
7	4123800	Self lock nut M16	4
8	4122600	Self lock nut M12	12
9	2611536	Plastic bush	12
10	2990500	Draw rod head 7316 new style	6
11	2891092	Rubber stop	6
12	4121400	Self lock nut M8	6
13	2381858	Tube new style	6
14	2991000	Draw rod head	6
15	9105000	Threaded stud in tineholder	Use loctite in tineholder
15	802.120.900	Bolt M12 x 90	!Check your machine
16	4813550	Sealed bearing	6
17	4720047	Circlip	12
18	2611238	Washer	12
19	2611523	Washer 1.0 mm thick	To calibrate start length
20	4720028	Cir clip	6
21	4480016	Seal for draw rod	6
22	2602428	Sleeve bush draw rod	6
23	4781204	Compression spring	6
24	2282141	Draw rod 7316	6
25	4001470	Bolt M8 x 45	6
26	4001866	Bolt M12 x 50	6
27	2691018	U bolt	6
28	2282186	Extension plate with bolt	6
29	4121400	Self lock nut M8	12
30	4002740	Bolt M20x65	4
31	2282188	Bracket plate	2
32	4125000	Self lock nut M20	4
33	4122600	Self lock nut M12	2
34	2891094	Rubber bush	Old style
35	2611502	Bush	Old style
36	2991000	Draw rod head	Old style on machine side
37	4720028	Cir clip	Old style
38	2499115	Stud	Old style
39	2381824	Tube	Old style
1991905	Draw rod complete	9,10,11,12,13,14,16,17,19,20,21,22,23,24,25,	6



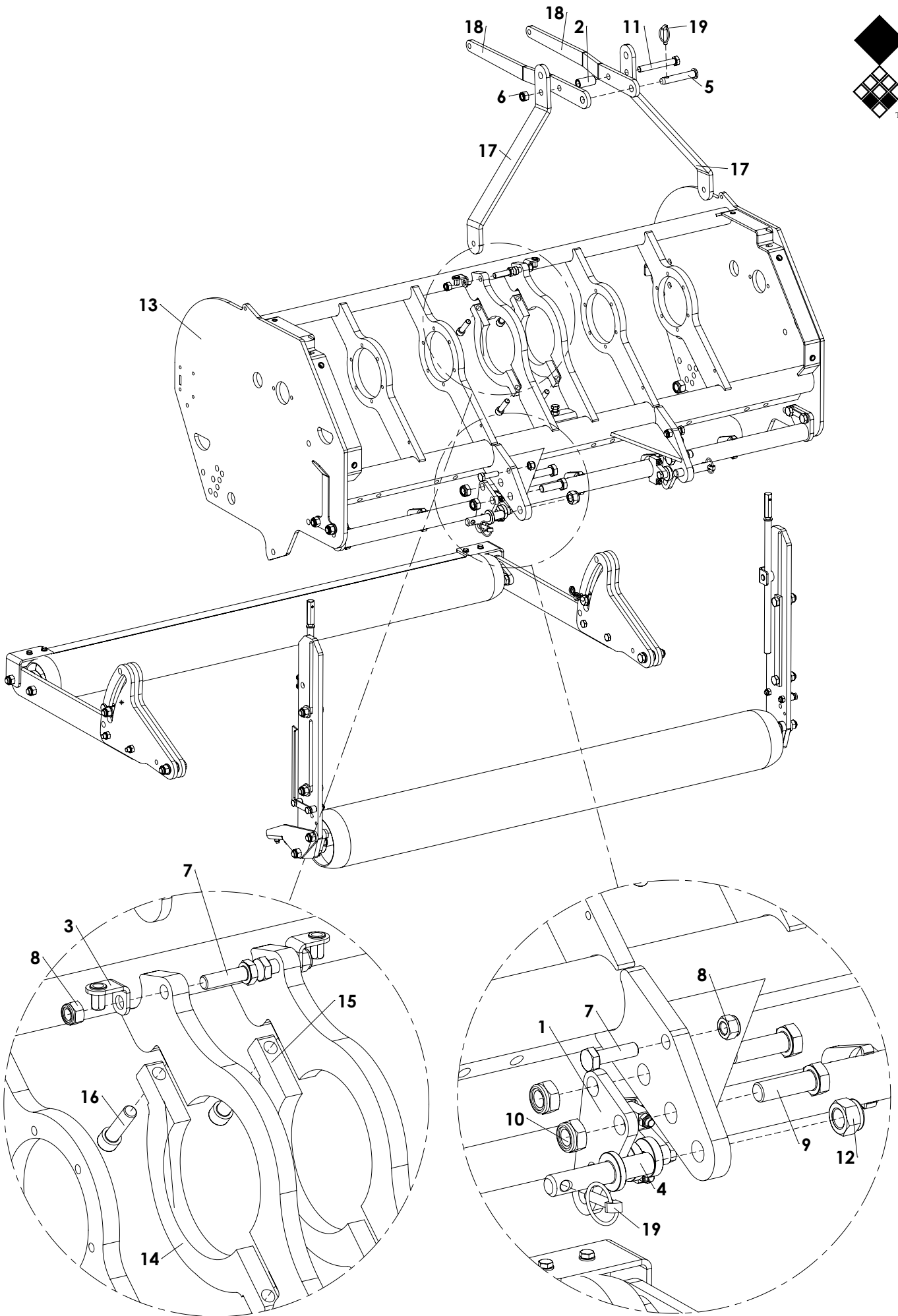
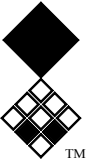


ITEM	PART NUMBER	DESCRIPTION	REMARKS	QUA
1	802.080.350	Bolt M8 x 35 - ISO 4014		24
2	830.080.080	Self Lock Nut M8 - ISO 10511		24
3	2441218	Right crank handle		2
4	2441220	Left crank handle		2
5	2490142	Big end pin		2
6	2490132	Big end pin outer		2
7	4129200	Nut M35x1.5		2
8	4129210	Nut M35x1.5		4
9	468.021.800	Plate		2
10	880.060.100	Grease nipple M6 DIN 71412A		4
11	4410310	Oil Seal 95x120x10 RP		8
12	468.021.802	Breather plate		2
13	4067000	Breather M10x1		4
14	4805830	Bearing 16019		4

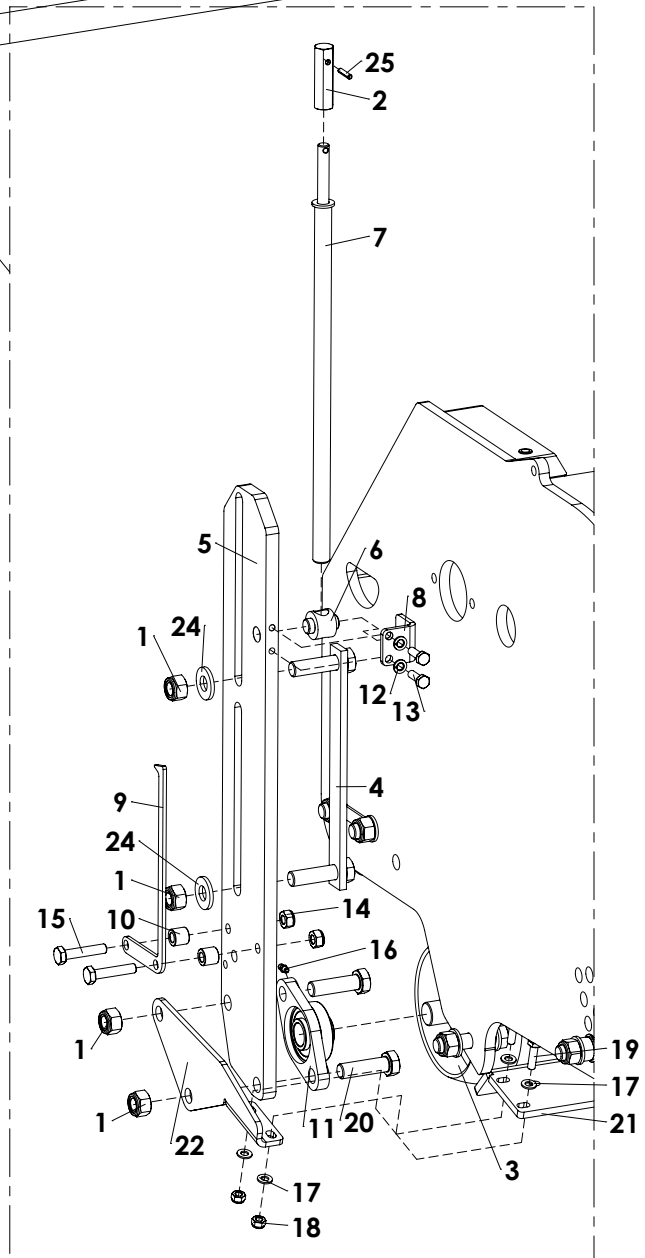
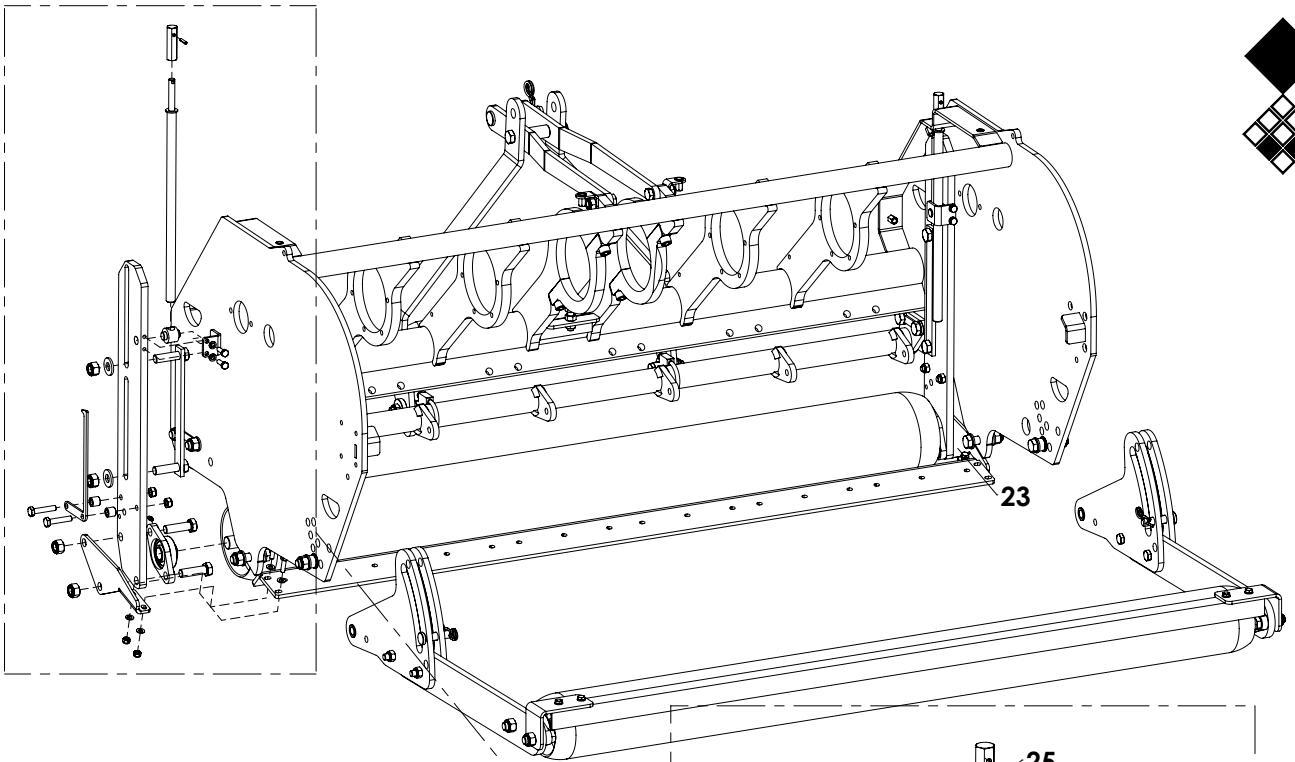
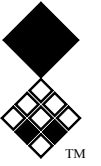




ITEM	PART NUMBER	DESCRIPTION	REMARKS	QUA
1	830.160.160	Self Lock Nut M16 - ISO 10511		4
2	830.120.120	Self Lock Nut M12 - ISO 10511		2
3	826.120.120	Nut M12 - DIN 934		1
4	804.120.400	Bolt M12 x 40 - ISO 4017		1
5	2282186	Support bolt assembly central bar 7117/7316		2
6	830.080.080	Self Lock Nut M8 - ISO 10511		4
7	2691018	U-Bolt M8, for tube 50		2
8	2381812	Central bar 7316		1
9	426.161.020	Bolt assembly Central Bar		2
10	2611530	Distance plate 2.0mm	Use to calibrate central bar	
11	2611528	Distance plate 2.5mm	Use to calibrate central bar	2
12	2611527	Distance plate 3mm		2
13	402.130.100	Distance bush Ø12.5/Ø40 L=10		4
14	468.032.120	Handle for angle adjustment		1
15	446.300.700	Cover for lever		1



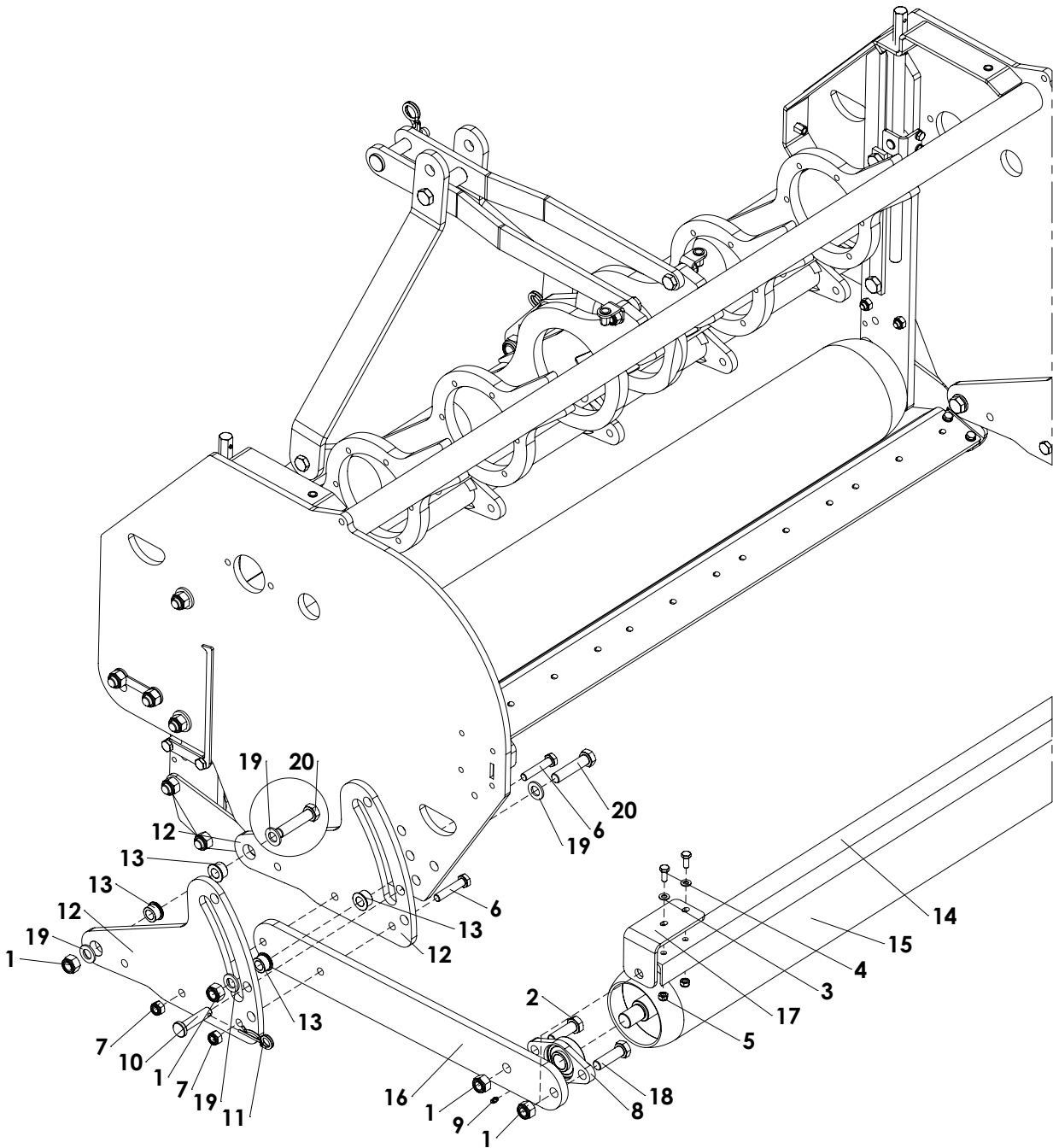
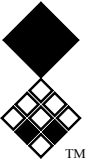
ITEM	PART NUMBER	DESCRIPTION	REMARKS	QUA
1	2282188	Bracket plate		2
2	2611518	Distance bush		1
3	464.040.432	Bracket		2
4	2490881	Bottom 3-Point Pin		2
5	521.191.120	3-Point Pin		1
6	830.160.160	Self Lock Nut M16 - ISO 10511		1
7	802.140.500	Bolt M14 x 50 - ISO 4014		4
8	830.140.140	Self Lock Nut M14 - ISO 10511		4
9	802.200.650	Bolt M20 x 65 - ISO 4014		4
10	830.200.200	Self Lock Nut M20 Din 985 h=17		4
11	802.161.200	Bolt M16 x 120 - ISO 4014		1
12	830.220.220	Self Lock Nut M22 - ISO 10511		2
13	2306002	Frame 7316		1
14	468.202.920	Clamp right		1
15	2479202	Clamp left		1
16	814.140.500	Bolt M14 x 50 - DIN 912		4
17	2251817	Top linkage support strip		2
18	2251389	Top linkage strip		2
19	523.100.570	Linch Pin d10		3



ITEM	PART NUMBER	DESCRIPTION	REMARKS	QUA
1	830.160.160	Self Lock Nut M16 - ISO 10511		8
2	2282108	Spindle head		2
3	2344006	Front roller		1
4	2282104	Bolt assembly		2
5	2381806	Front roller support 7316		2
6	2282098	Spindle nut TR18x4		2
7	2692101	Spindle		2
8	2282096	Spindle nut bracket		2
9	468.042.360	Height indicator		2
10	406.180.170	Distance bush Ø18/Ø10.2 L=16.5		4
11	742.250.360	Bearing UCFL 205		2
12	866.080.020	Spring Washer M8 - DIN 127		4
13	804.080.250	Bolt M8 x 25 - ISO 4017		4
14	830.100.100	Self Lock Nut M10 - ISO 10511		4
15	802.100.500	Bolt M10 x 50 - ISO 4014		4
16	880.060.100	Grease nipple M6 DIN 71412A		2
17	864.080.030	Washer M8 - ISO 7089		8
18	830.080.080	Self Lock Nut M8 - ISO 10511		4
19	804.080.300	Bolt M8 x 30 - ISO 4017		4
20	802.160.550	Bolt M16 x 55 - ISO 4014		4
21	468.089.160	Turf hold down support beam		1
22	468.062.402	THD support left		1
23	468.062.400	THD support right		1
24	412.160.040	Washer		4
25	878.050.240	Roll pin 5x24 - ISO 8752		2

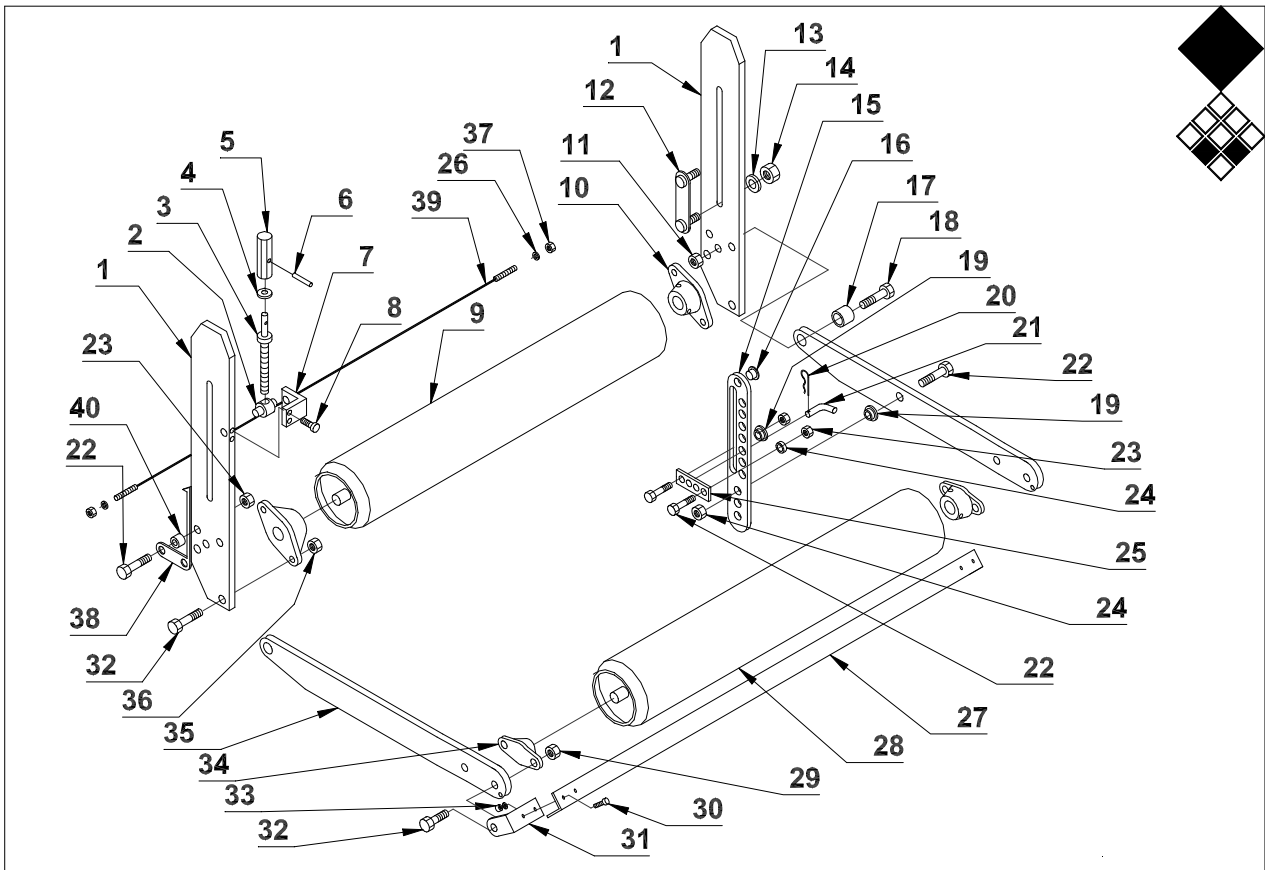








ITEM	PART NUMBER	DESCRIPTION	REMARKS	QUA
1	830.160.160	Self Lock Nut M16 - ISO 10511		8
2	802.160.500	Bolt M16 x 50 - ISO 4014		2
3	864.080.030	Washer M8 - ISO 7089		4
4	804.080.200	Bolt M8 x 20 - ISO 4017		4
5	830.080.080	Self Lock Nut M8 - ISO 10511		4
6	802.120.600	Bolt M12 x 60 - ISO 4014		4
7	830.120.120	Self Lock Nut M12 - ISO 10511		4
8	742.250.360	Bearing UCFL 205		2
9	880.060.100	Grease nipple M6 DIN 71412A		2
10	521.160.510	Lock pin rear roller		2
11	523.030.750	R-Clip Round 3, DIN 11024		2
12	468.123.700	Main Rear Roller support		4
13	404.160.160	Pivot bush		8
14	2282190	Rear roller scraper 7316		1
15	2344004	Rear roller 7316		1
16	464.156.410	Second rear roller support		2
17	2282192	Rear roller scraper support 7316		2
18	802.160.550	Bolt M16 x 55 - ISO 4014		2
19	864.160.030	Washer M16 - ISO 7089		8
20	802.160.700	Bolt M16 x 70 - ISO 4014		4



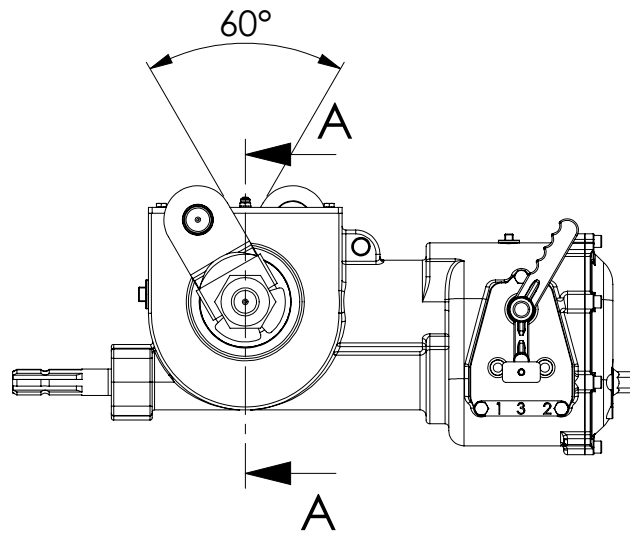
Redxim-Charterhouse Verti-Drain 7316 pag 09 code 0718

	PART #	DESCRIPTION	REMARKS	QUA
1	2381806	Front roller support 7316		2
2	2282098	Spindle nut		2
3	2692101	Spindle		2
4	4910120	Washer		2
5	2282108	Spindle head		2
6	4311020	Roll pin		2
7	2282096	Spindle nut bracket		2
8	4001432	Bolt M8 x 25		4
9	2344006	Front roller 7316		1
10	4833995	Front roller bearing		2
11	4122600	Self lock nut M12		2
12	2282104	Bolt assembly		2
13	4910160	Washer M 16		4
14	4123800	Self lock nut M16		4
15	2282126	Rear roller support guide		2
16	4972550	Plastic stop		2
17	2611514	Pivot bush rear roller support		2
18	4001866	Bolt M12 x 50		2
19	2611510	Guide bush		4
20	4397000	R pin		2
21	2499114	Lock pin rear roller support guide		2
22	4001680	Bolt M10 x 45		10
23	4122000	Self lock nut M10		8
24	2611516	Distance bush		2
25	2281744	Plate		2
26	4910060	Washer		4
27	2282190	Rear roller scraper profile		1
28	2344004	Rear roller 7316		1
29	4123800	Self lock nut M16		4
30	4001424	Bolt M8 x 20		4
31	2282192	Bracket support for rear roller scraper		2
32	4002328	Bolt M 16 x 50		8
33	4121400	Self lock nut M8		4
34	4833995	Rear roller bearing 7316		2
35	2282128	Rear roller support		2
36	4123800	Self lock nut M16		4
37	4100800	Nut M6		4
38	2282123	Height indicator		2
39	2282132	Scraper wire		1
40	2611516	Distance bush		4





ITEM	PART NUMBER	DESCRIPTION	REMARKS	QUA
1	2401408	Gearbox	Use loctite 5970 to seal	1
2	2471418	Top cover gearbox	Use loctite 5970 to seal	1
3	2471431	Cover lever	Use loctite 5970 to seal	1
4	2471856	Gearbox backcover	Use loctite 5970 to seal	1
	2471460	Gearbox backcover (closed)	Use loctite 5970 to seal	1
5	1994002	Gear lever complete		1
6	2469210	Lever with pin		1
7	4752012	Seeger RS12		1
8	878.060.350	Roll Pin 6 x 35 - ISO 8752		1
9	804.080.250	Bolt M8 x 25 - ISO 4017		4
10	804.100.350	Bolt M10 x 35 - ISO 4017		3
11	814.100.300	Bolt M10 x 30 - DIN 912		6
12	2779970	Fork		1
13	2611521	Distance plate		1
14	4422075	O-ring D18.77x1.78		1
15	2894040	Plastic washer 22.2x34x1.5		2
16	4561000	Tap 1/2"		1
17	4561100	Tap 1"		1
18	820.210.180	Level / fill glass		1
19	4067008	Breather gearbox		1
20	856.240.240	Gas cap 3/4"		1
21	2282125	Gear indicator VD7316 / 7416		1
		Use liquid silicon paste to seal parts		
		Use oil 80W90	5 Liter / 1.32 Gallon	
	490.557.000-60	Gearbox complete		



Tooth face play  
between +0.2/+0.3mm

Torque 1250Nm  
Use loctite 270

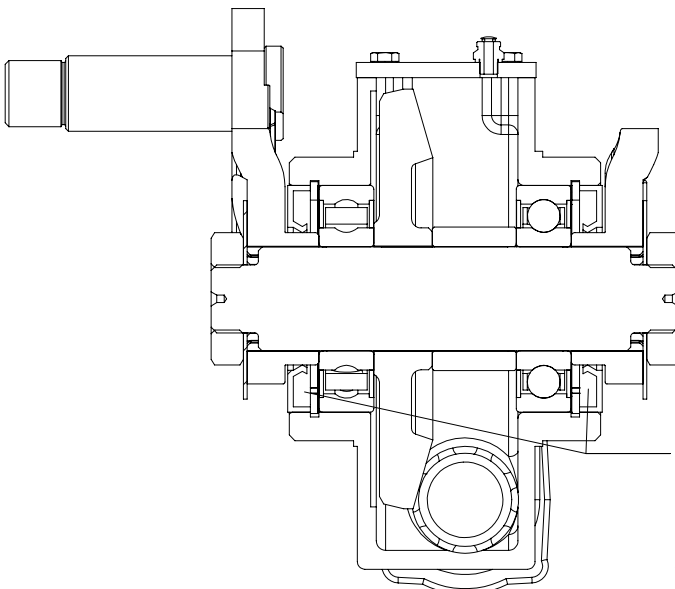
Loctite 5970 on splines

Axial play between  
+0.02 and +0.1mm

Loctite 5970 on splines

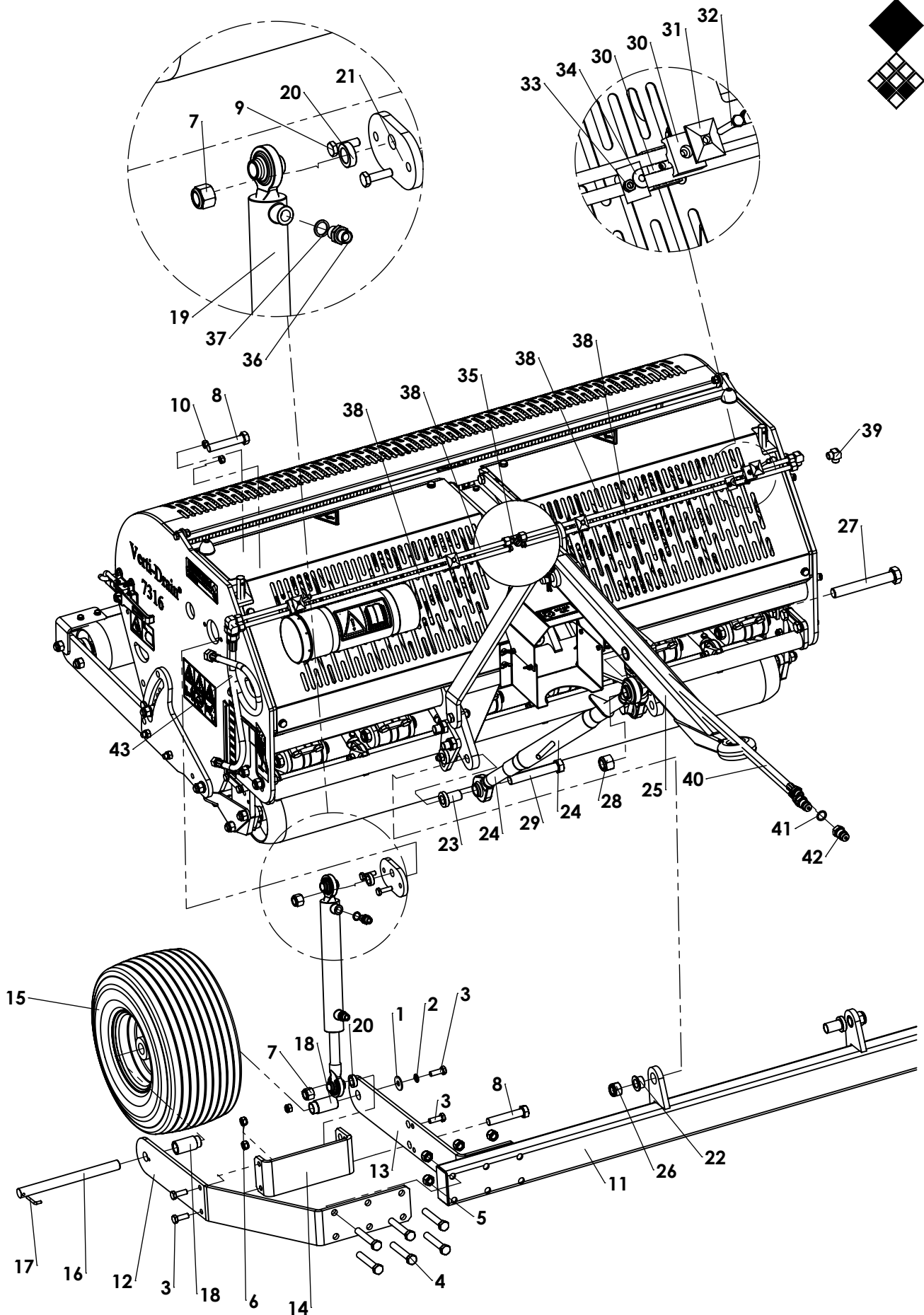
Torque 1250Nm  
Use loctite 270

### SECTION A-A



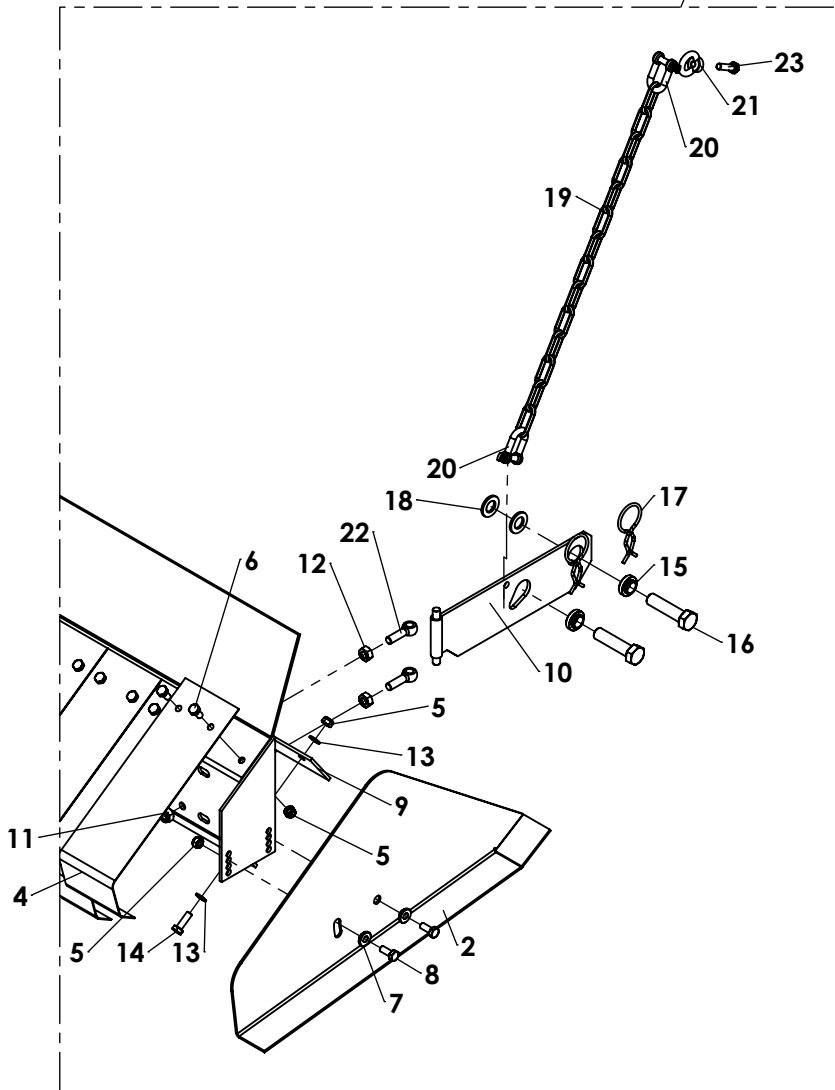
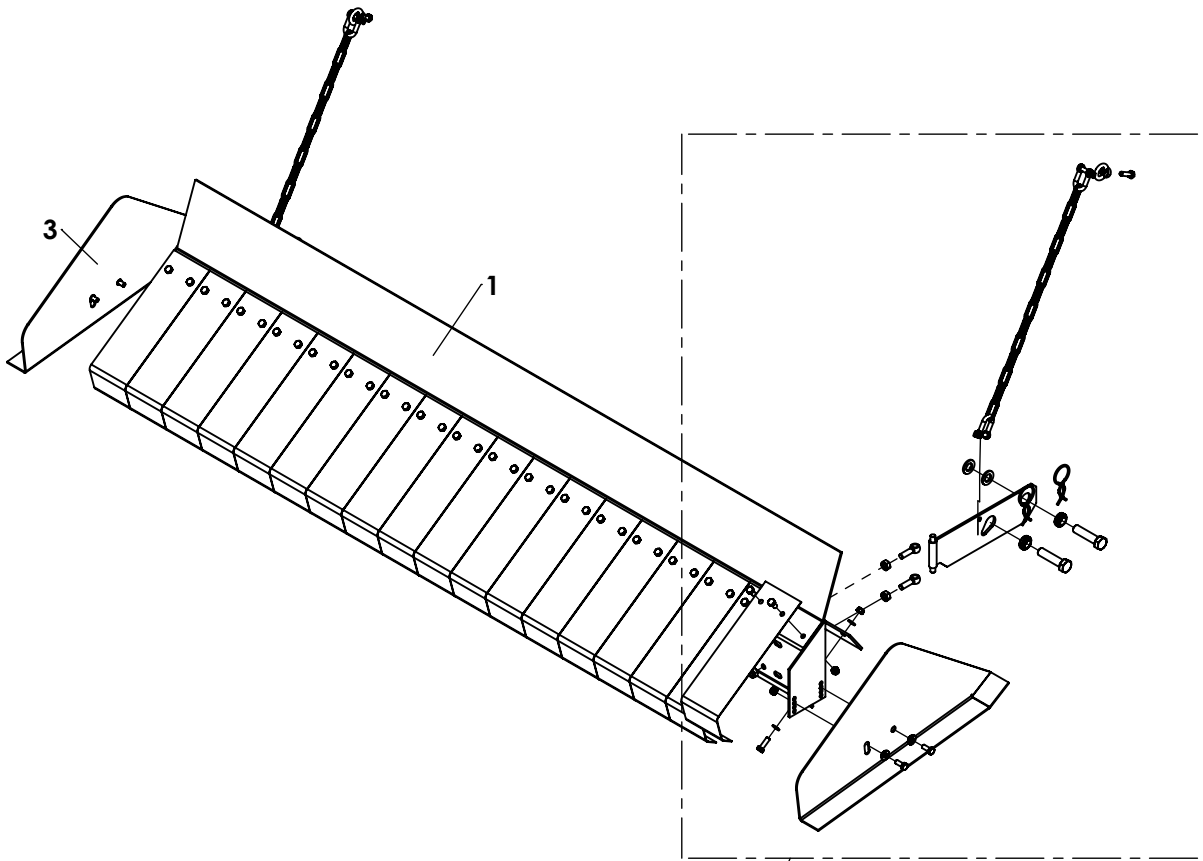
Fill area between seal and bearing  
complete with a NLGI 2-3 bearing  
grease. Also apply grease between  
shaft and seal before assembly.

ITEM	PART NUMBER	DESCRIPTION	REMARKS	QUA
1	472.458.100	Input shaft 7416	Check your machine	1
	2460510	Drive shaft 7316	Check you machine	1
2	2462100	Splined shaft		1
3	4816910	Bearing 6307		3
4	4815270	Bearing 6209		1
5	713.550.290	Bearing 6311-2RS		2
6	4810490	Bearing 32210		1
7	4811170	Bearing 33210		1
8	4406460	Oil seal 35x80x12		1
9	4409540	Oil seal 70x120x12		2
10	2611418	Distance bush		1
11	2447400	Splined arm		2
12	2282200	Lock plate		2
13	4109300	Nut M36x3		2
14	2611404	Distance bush		1
15	872.120.400	Circlip D=120 - DIN 472		2
16	872.080.250	Circlip D=80 - DIN 472		1
17	872.090.300	Circlip D=90 - DIN 472		1
18	870.045.180	Circlip DIN 471 - 45 x 1.75		2
19	4317460	Cotter Pin 4 x 56 - DIN 94		1
20	2661490	Washer		1
21	2611412	Distance bush		1
22	4135200	Castle Nut		1
23	2504473	Gear Z22-m4.25		1
24	2504533	Gear Z28-m4.25		1
25	2612800	Distance bush		2
26	2504431	Gear Z18-m4.25		1
27	2504572	Gear Z32-m4.25		1
28	2504450	Gear Z20-m4.25		1
29	2504551	Gearwheel Z=30		1
30	4406260	Oil Seal 35x56x10		1
31	2490142	Big end pin		2
32	869.120.001	Set of shims 100x120 3x0.1 2x0.3		1
33	2527402	Crownwheel and pignon		

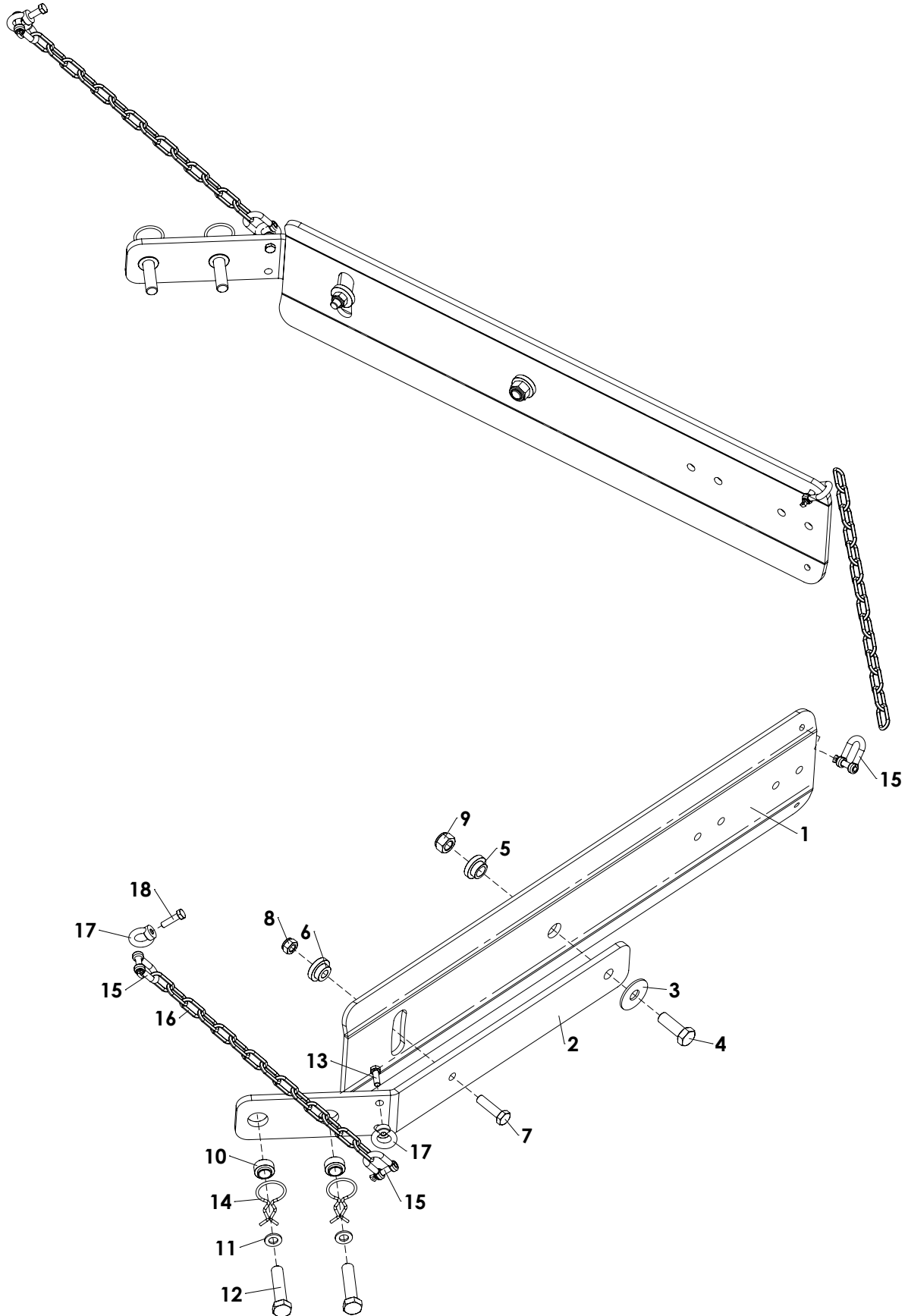








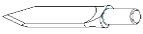
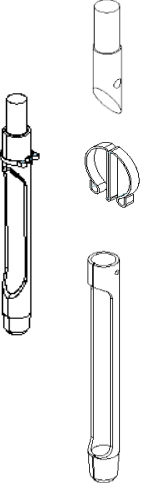
ITEM	PART NUMBER	DESCRIPTION	REMARKS	QUA
1	864.120.031	Large washer M12 - DIN 9021		2
2	866.120.020	Spring Washer M12 - DIN 127		2
3	804.120.350	Bolt M12 x 35 - ISO 4017		8
4	802.161.000	Bolt M16 x 100 - ISO 4014		12
5	830.160.160	Self Lock Nut M16 - ISO 10511		12
6	830.120.120	Self Lock Nut M12 - ISO 10511		6
7	840.190.230	SL Nut 3/4"-16 UNF		4
8	808.191.000	Hex Bolt 0.75"-16x4" UNF - ANSI B18.2.1		2
9	804.100.350	Bolt M10 x 35 - ISO 4017		4
10	830.100.100	Self Lock Nut M10 - ISO 10511		4
11	462.101.850	Main beam		1
13	464.106.170	Wheel support short		2
12	464.106.870	Wheel support long		2
14	464.102.650	U-Bridge		2
15	511.542.236	Wheel Complete		2
16	416.252.940	Wheel Shaft		2
17	424.060.480	Lock Pin		2
18	404.250.700	Distance Bush Wheel		4
19	534.202.500	Hydraulic cylinder		2
20	2602010	Distance bush		4
21	464.019.130	Cylinder top pin support plate		2
22	404.220.190	Pivot bush		2
23	404.220.520	Bush long		2
24	522.256.200	Toplink Cat. 1 L0=555 Stroke=200 UNC 1 1/4"		2
25	462.091.100	Top draw bar		1
26	830.220.220	Self Lock Nut M22 - ISO 10511		2
27	808.010.070	Hex Bolt 1"-8x7.0" UNC - ANSI B18.2.1 Grade 5.2 (8.8)		1
28	838.010.220	Self Lock Nut 1 inch UNC - DIN 985		1
29	802.221.400	Bolt M22 x 140 - ISO 4014		2
30	547.120.120	Hose clamp double 12mm		8
31	547.300.340	Cover plate hose clamp 2x10 - 2x12		4
32	802.060.450	Bolt M6 x 45 - ISO 4014		4
33	830.060.060	Self Lock Nut M6 - ISO 10511		4
34	864.060.031	Large washer M6 - DIN 9021		4
35	544.124.125	T-Connector 12x12x12		2
36	543.170.170	Nipple BSP 3_8" x 3_8" 60deg		4
37	874.170.020	Copper washer 3_8		4
38	542.120.815	Tube 12mm 2xM18 L 815		4
39	544.120.360	90 degree connector 12L-M18		4
40	541.172.510	Main hose 75 serie		2
41	874.210.020	Copper washer 1_2		2
42	545.210.800	Quick connector male 1/2"		2
43	541.130.430	Hydraulic hose short		4
	9200100	Complete wheel kit 7316		

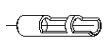
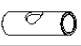
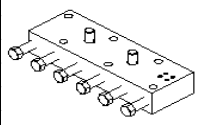
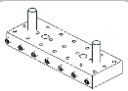
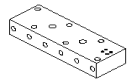
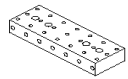








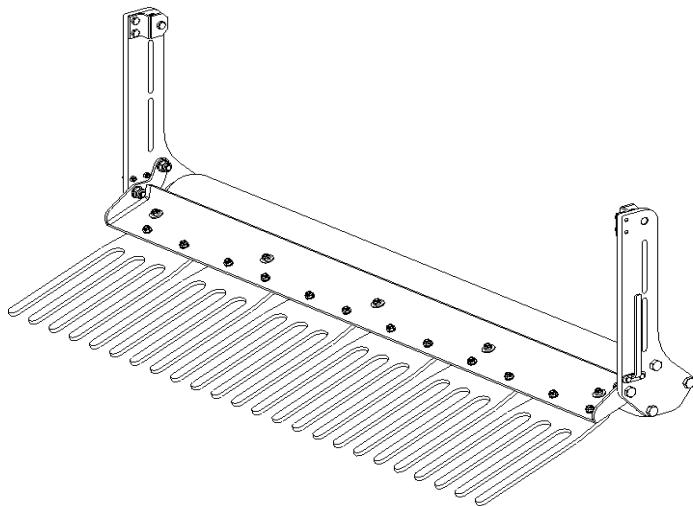
ITEM	PART NUMBER	DESCRIPTION	REMARKS	QUA
1	470.049.182	Frame beam		1
2	468.035.420	Right side plate		1
3	468.035.422	Left side plate		1
4	468.013.100	Blade spring		18
5	830.080.080	Self Lock Nut M8 - ISO 10511		49
6	804.080.160	Bolt M8 x 16 - ISO 4017		36
7	404.080.700	Distance bush		4
8	804.080.200	Bolt M8 x 20 - ISO 4017		4
9	446.049.181	Rubber strip		1
10	470.052.950	Support arm		2
11	830.100.100	Self Lock Nut M10 - ISO 10511		4
12	826.100.100	Nut M10 - DIN 934		4
13	864.080.030	Washer M8 - ISO 7089		18
14	804.080.250	Bolt M8 x 25 - ISO 4017		9
15	404.160.100	Distance bush		4
16	802.160.650	Bolt M16 x 65 - ISO 4014		4
17	523.030.752	Special R-clip d3		4
18	864.160.030	Washer M16 - ISO 7089		4
19	846.064.300	Chain d=5mm l=0.5m		2
20	846.080.241	D-Shackle D8		4
21	822.080.360	Lifting Eye Nut M8 - DIN 582		2
22	822.100.400	Eye bolt M10 x 40 DIN 444 - B		4
23	804.080.300	Bolt M8 x 30 - ISO 4017		2
	9200080	Core collector complete		

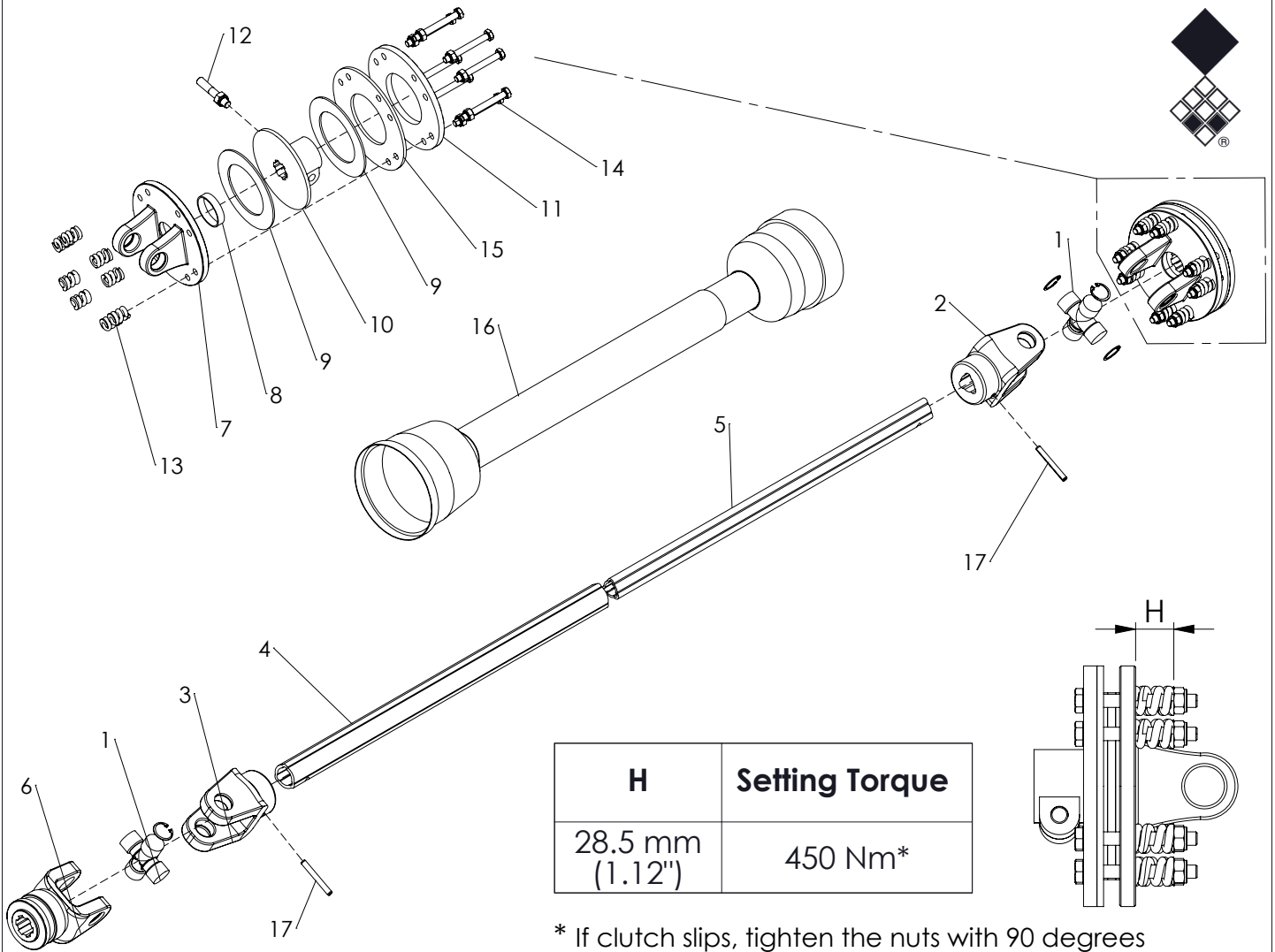


ITEM	PART NUMBER	DESCRIPTION	REMARKS	QUA
1	468.089.000	Windrow plate		2
2	464.106.350	Windrow support		2
3	864.160.031	Large washer M16 - DIN 9021		2
4	804.160.450	Bolt M16 x 45 - ISO 4017		2
5	406.160.150	Distance bush		2
6	406.130.150	Distance bush		2
7	804.120.450	Bolt M12 x 45 - ISO 4017		2
8	830.120.120	Self Lock Nut M12 - ISO 10511		2
9	830.160.160	Self Lock Nut M16 - ISO 10511		2
10	406.170.150	Distance bush		4
11	864.120.030	Washer M12 - ISO 7089		4
12	802.160.700	Bolt M16 x 70 - ISO 4014		4
13	804.080.250	Bolt M8 x 25 - ISO 4017		2
14	523.030.752	Special R-clip d3		4
15	846.080.241	D-Shackle D8		6
16	846.064.300	Chain d=5mm l=0.5m		3
17	822.080.360	Lifting Eye Nut M8 - DIN 582		4
18	804.080.300	Bolt M8 x 30 - ISO 4017		2
	211.731.010	Windrow kit complete		

						7316	
<b>Solid tines</b>						<b>7316</b>	
	Mountig Ø	Tine Size (mm)	Tine Size (inch)	Part #	Adapter	Qua	
	5	5 x 125	3/16 x 5	311.105.125	J or multi-tine block mini	24+J or 144 S+V+X	
	8	8 x 150	5/16 x 6	311.108.150	K or multi-tine block	24+K or 48 N+U	
	8	8 x 175	5/16 x 7	9990056	K or multi-tine block	24+K or 48 N+U	
	8	8 x 250	5/16 x 10	9990059	K - Don't use in MTH. Will bend	24+K	
	12	12 x 150	1/2 x 6	311.112.150		24	
	12	12 x 200	1/2 x 8	311.112.200		24	
	12	12 x 225	1/2 x 9	311.112.225		24	
	12	12 x 250	1/2 x 10	2381837		24	
	12	12 x 300	1/2 x 12	2381838		24	
	18	18 x 200	3/4 x 8	311.118.200	L or non needed	12	
	18	18 x 225	3/4 x 9	311.118.225	L or non needed	12	
	18	18 x 250	3/4 x 10	2381841	L or non needed	12	
18	18 x 300	3/4 x 12	2382638	L or non needed	12		
<b>Hollow tines</b>						<b>7316</b>	
	Mountig Ø	Tine Size (mm)	Tine Size (inch)	Part #	Adapter	Qua	
	8	10 x 6 x 80	3/8 x 1/4 x 3	311.210.080	K or multi-tine block	24+K or 48 N+U	
	8	10 x 6 x 125	3/8 x 1/4 x 5	311.210.127	K or multi-tine block	24+K or 48 N+U	
	12	16 x 10 x 150	5/8 x 3/8 x 6	311.216.150		24	
	12	16 x 10 x 175	5/8 x 3/8 x 7	9990022		24	
	12	19 x 12 x 150	3/4 x 1/2 x 6	311.219.150		24	
	18	19 x 12 x 200	3/4 x 1/2 x 8	311.219.200	L or non needed	12	
	12	19 x 12 x 200	3/4 x 1/2 x 8	311.219.201		24	
	18	19 x 12 x 225	3/4 x 1/2 x 9	311.219.225	L or non needed	12	
	12	19 x 12 x 225	3/4 x 1/2 x 9	311.219.226		24	
	12	19 x 12 x 250	3/4 x 1/2 x 10	9990040		24	
	18	19 x 12 x 250	3/4 x 1/2 x 10	9990023	L or non needed	12	
	18	25 x 16 x 200	1 x 5/8 x 8	311.225.200	L or non needed	12	
	18	25 x 16 x 225	1 x 5/8 x 9	311.225.225	L or non needed	12	
	18	25 x 17 x 250	1 x 5/8 x 10	9990024	L or non needed	12	
<b>Replacement tubes</b>						<b>7316</b>	
	Mountig Ø	Tine Size (mm)	Tine Size (inch)	Part #	Combine with rollpin	Qua	
	12	16 x 10 x 150	5/8 x 3/8 x 6	311.716.150	9990010	24	
	12	16 x 10 x 175	5/8 x 3/8 x 7	9990036	9990010	24	
	12	19 x 12 x 150	3/4 x 1/2 x 6	311.719.150	9990012	24	
	18	19 x 12 x 200	3/4 x 1/2 x 8	311.719.200	9990012	12	
	12	19 x 12 x 200	3/4 x 1/2 x 8	311.719.201	9990012	24	
	18	19 x 12 x 225	3/4 x 1/2 x 9	311.719.225	9990012	12	
	12	19 x 12 x 225	3/4 x 1/2 x 9	311.719.225	9990012	24	
	12	19 x 12 x 250	3/4 x 1/2 x 10	9990037	9990012	24	
	18	19 x 12 x 250	3/4 x 1/2 x 10	9990037	9990012	12	
	18	25 x 16 x 200	1 x 5/8 x 8	311.725.200	9990014	12	
	18	25 x 16 x 225	1 x 5/8 x 9	311.725.225	9990014	12	
18	25 x 17 x 250	1 x 5/8 x 10	9990038	9990014	12		
<b>Cross tines</b>						<b>7316</b>	
	Mountig Ø	Tine Size (mm)	Tine Size (inch)	Part #	Adapter	Qua	
	8	12 x 90	1/2 x 3 1/2	9990020	K or multi-tine block	24 + K	
12	19 x 120	3/4 x 5	9990021		24		
<b>Chisel tines</b>						<b>7316</b>	
	Mountig Ø	Tine Size (mm)	Tine Size (inch)	Part #		Qua	
	12	4.8 x 19 x 175	3/16 x 3/4 x 7	311.619.175		24	
	12	4.8 x 19 x 120	3/16 x 3/4 x 4 3/4	311.619.120		24	
<b>Composed hollow tines</b>						<b>7316</b>	
	<b>Shank</b>		<b>Size (mm)</b>	<b>Size (inch)</b>	<b>Part #</b>	<b>Qua</b>	
	A	12	1/2	311.120.690	(Straight)	24	
	B	18	3/4	311.180.782	(Straight)	12	
	C	12	1/2	311.180.780		24	
	E	18	3/4	311.240.860		12	
	<b>Clip</b>		<b>Size (mm)</b>	<b>Size (inch)</b>	<b>Part #</b>		<b>Qua</b>
	F	16	5/8	438.160.160		24	
	G	22	7/8	438.220.220		24 / 12	
	H	30	1 3/16	438.300.300		12	
	<b>Hollow tine tube (folded)</b>						<b>7316</b>
		<b>Tine Size (mm)</b>	<b>Tine Size (inch)</b>	<b>Part #</b>			<b>Qua</b>
		16 x 150	5/8 x 6	317.316.150	Combine with:	A and F	24A+24F
		16 x 200	5/8 x 8	317.316.200	Combine with:	A and F	24A+24F
		22 x 150	7/8 x 6	317.322.150	Combine with:	B or C and G	24B+24G
							24C+24G
		22 x 250	7/8 x 10	317.322.250	Combine with:	B or C and G	24B+24G
							24C+24G
		22 x 150	7/8 x 6	317.322.150	Combine with:	B or C and G	16B+16G
							16C+16G
		22 x 250	7/8 x 10	317.322.250	Combine with:	B or C and G	16B+16G
						16C+16G	
	30 x 150	1 3/16 x 6	317.330.150	Combine with:	E and H	16D+16H	
						16E+16H	

Adapter							7316
	Tine Size (mm)	Tine Size (inch)	Part #				Qua
	J	5	3/16	314.205.043			24
	K	8	5/16	314.208.043			24
Adapter							7316
	Tine Size (mm)	Tine Size (inch)	Part #				Qua
	L	18	3/4	2451800			
Multi-tine block complete WO tines							7316
	Tine Size (mm)	Tine Size (inch)	Part #				Qua
		8mm (8 tines)	5/16	9990208	Combination of:	N-U	6 (48 tines)
	<b>Tines:</b>						
	A1	8 x 150	5/16 x 6	311.108.150	Solid tine		
	A2	8 x 175	5/16 x 7	9990056	Solid tine		
	A3	10 x 6 x 80	3/8 x 1/4 x 3	311.210.080	Hollow tine		
	A4	10 x 6 x 125	3/8 x 1/4 x 5	311.210.127	Hollow tine		
A5	12 x 90	1/2 x 3 1/2	9990020	Cross tine			
Multi-tine block mini needles complete WO tines							7316
	Tine Size (mm)	Tine Size (inch)	Part #				Qua
		5	3/16	9990214	Combination of:	S-V-X	6 (144 tines)
	<b>Tines:</b>						
	B1	5 x 125	3/16 x 5	311.105.125	Needle tine		
Multi-tine block empty							7316
	Tine Size (mm)	Tine Size (inch)	Part #				Qua
	M	8mm (6 tines)	5/16	9990201			
	N	8mm (8 tines)	5/16	314.430.240			6
	O	8mm (5 tines)	5/16	480.301.430			
Multi-tine block mini needles empty							7316
	Tine Size (mm)	Tine Size (inch)	Part #				Qua
	Q	5 (21 tines)	3/16	480.251.740			6
	R	5 (12 tines)	3/16	314.425.140			
	S	5 (24 tines)	3/16	314.425.240			
Backup plate							7316
	Size (mm)		Part #				Qua
	T	143x50x3		464.031.432			
Tine lock bolt							7316
	Size (mm)		Part #				Qua
	U	10x40		812.100.401			48
Set screw							7316
	Size (mm)		Part #				Qua
	V	8x8		818.080.080			144
Stud							7316
	Size (mm)		Part #				Qua
	W	23.2x50		408.230.500			
	X	12x60		9990212D			12
Turf hold down finger							7316
	Part name		Part #				Qua
	Turf hold down finger 12mm end						n/a
	Turf hold down finger 12mm			311.506.252			6
	Turf hold down finger 18mm			311.506.254			6
Turf hold down kit							7316
	Part name		Part #				Qua
	THD kit complete						
	THD kit complete MTH						
	THD kit complete 12mm			211.731.006			1
	THD kit complete 18mm			211.731.008			1





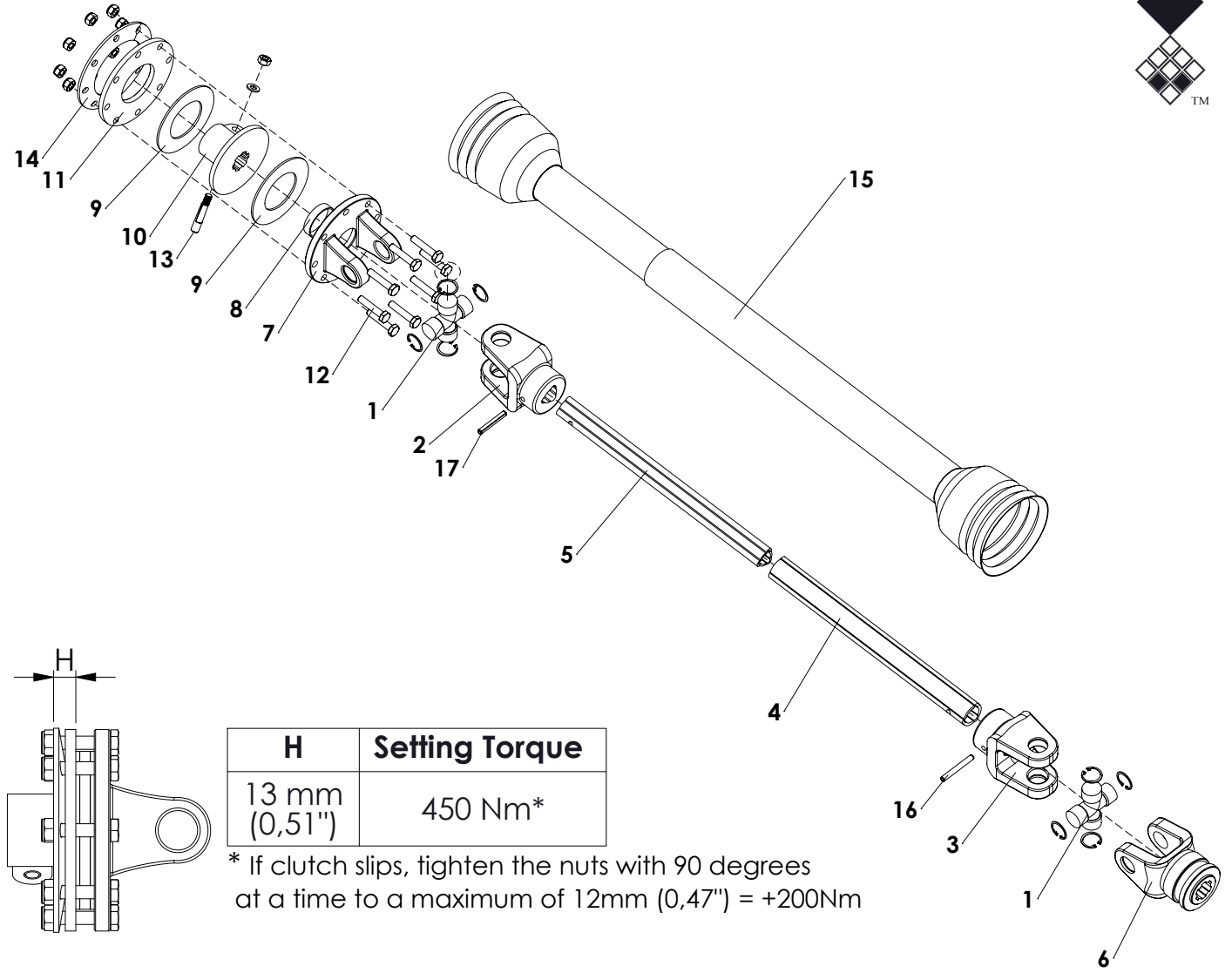
H	Setting Torque
28.5 mm (1.12")	450 Nm*

\* If clutch slips, tighten the nuts with 90 degrees at a time to a maximum of 27.5mm (1.08") = +150Nm

**ALWAYS** deburr parts when cut  
**MEASURE** correct length of PTO first  
**MAINTAIN** slipclutch every month  
**NEVER USE** PTO over 30 degrees  
**SLIPCLUTCH** always on machine side

ITEM	PART NUMBER	DESCRIPTION	REMARKS	QUA
1	BEN PT140106	Universal joint assembled		2
2	BEN PT148813	Inner tube yoke		1
3	BEN PT143860	Outer tube yoke		1
4	BEN PT150516	Tubing cut to size	Cut to correct length	1
5	BEN PT150544	Tubing cut to size	Cut to correct length	1
6	BEN PT140106	End yoke with quick lock		1
7	BEN F1L04	Flange yoke		1
8	BEN F060	Bush		1
9	BEN F030/S	Lining ring		2
10	BEN F138	Hub		1
11	BEN F1180	Pressure plate		1
12	BEN 90938	Conic bolt and nut		1
13	BEN F0110	Spring		8
14	BEN F10085	Bolt and nut		8
15	BEN F070	Inner plate		1
16	BEN PT170005	Safety guard group	Cut to correct length	1
17	190000014	Roll Pin 8 x 65		2
	611.409.100	PTO shaft type T-40 tl 910 for boggy		
	611.405.100	PTO shaft type T-40 tl 510		



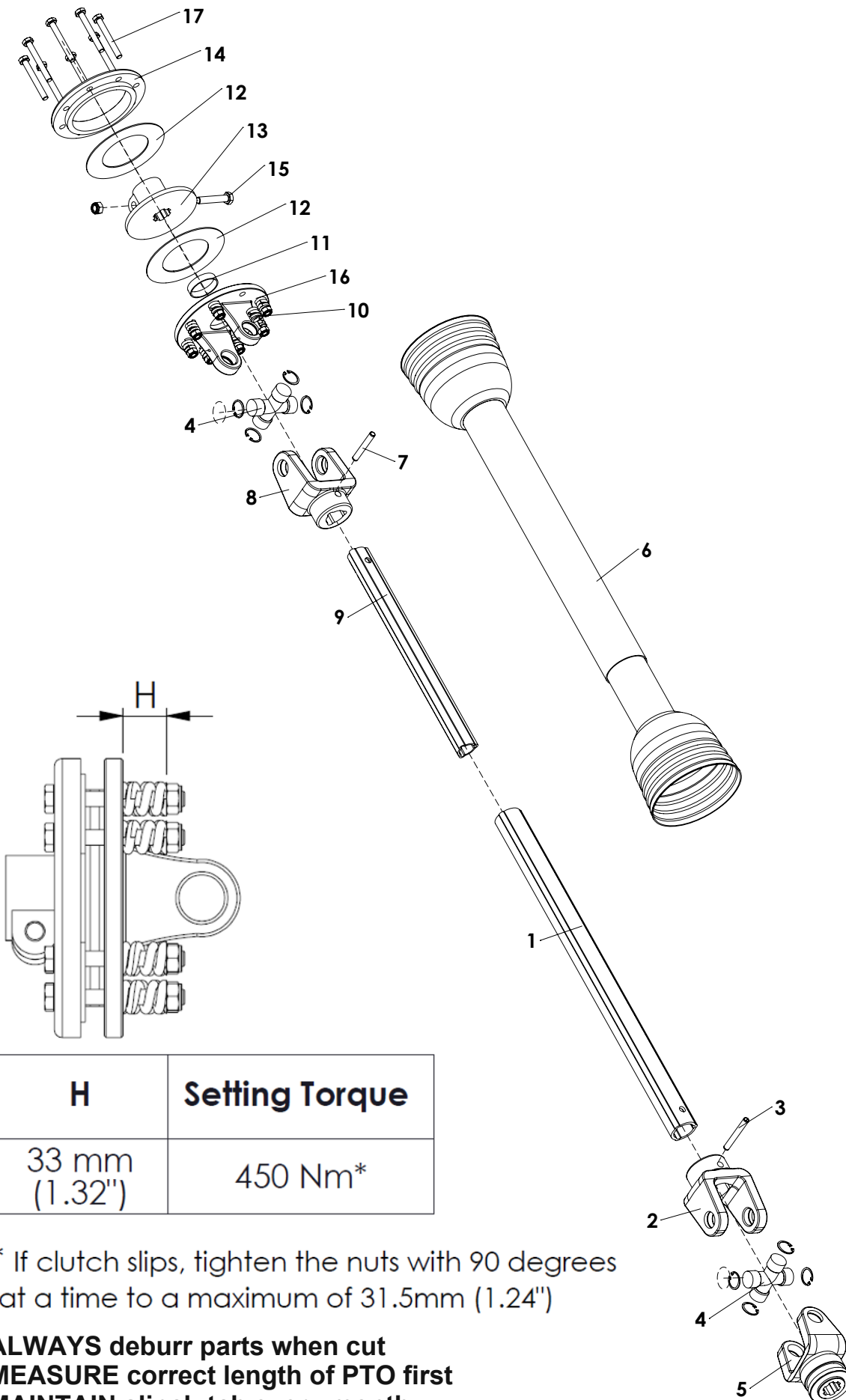


H	Setting Torque
13 mm (0,51")	450 Nm*

\* If clutch slips, tighten the nuts with 90 degrees at a time to a maximum of 12mm (0,47") = +200Nm

**ALWAYS** deburr parts when cut  
**MEASURE** correct length of PTO first  
**MAINTAIN** slipclutch every month  
**NEVER USE** PTO over 30 degrees  
**SLIPCLUTCH** always on machine side

ITEM	PART NUMBER	DESCRIPTION	REMARKS	QUA
1	180014130	Cross and 4x circlip kit		2
2	1510140071	Inner tube yoke type 40		1
3	1410140061	Outer tube yoke type 40		1
4	1521406620700	T40-series Outer tube	Cut to correct length	1
5	153140519	T40-series Inner tube	Cut to correct length	1
6	1410244301	Complete collar yoke type 40		1
7	1510143791	Flanged yoke T40		1
8	180015020	Bush		1
9	180014019	Lining ring		2
10	1510148401	Hub T40		1
11	1800175681	Pressure plate		1
12	165000858	Bolt & nut M10 x 1,5 x 50		8
13	165000588	Tapered Pin 1 3/8" kit	Retighten every 40 hours	1
14	180017425	Belleville spring		1
15	1423400167451	Complete guard 40-series	Cut to correct length	1
16	190000014	Roll Pin 8 x 65		1
17	190000012	Roll Pin 8 x 55		1
	400510	Complete PTO T40		
	400910	Complete PTO T40 for boggy		



\* If clutch slips, tighten the nuts with 90 degrees at a time to a maximum of 31.5mm (1.24")

**ALWAYS** deburr parts when cut  
**MEASURE** correct length of PTO first  
**MAINTAIN** slipclutch every month  
**NEVER USE** PTO over 30 degrees  
**SLIPCLUTCH** always on machine side

ITEM	PART NUMBER	DESCRIPTION	REMARKS	QUA
1	152140207	Outer tube		1
2	151014006	Outer tube yoke		1
3	190000014	Outer roll pin		1
4	180014130	Cross and 4x circlip kit		2
5	141024430	Complete collar yoke		1
6	1422400307430	Complete guard	Cut to correct length	1
7	190000012	Inner roll pin		1
8	151004007	Inner tube yoke		1
9	153140107	Inner tube		1
10	180014022	Spring		8
11	180015020	Bush		1
12	180014019	Lining ring		2
13	151014018	Hub		1
14	180014020	Pressure plate		1
15	165000502	Bolt and Nut	Retighten every 40 hours	1
16	151014017	Flanged yoke		1
17	165000501	Bolt and nut		8
	400510	Complete PTO		
		ALWAYS deburr parts when cut		
		MEASURE correct length of PTO first		
		MAINTAIN slipclutch every month		
		NEVER USE PTO over 30 degrees angle		
		SLIPCLUTCH always on machine side		