

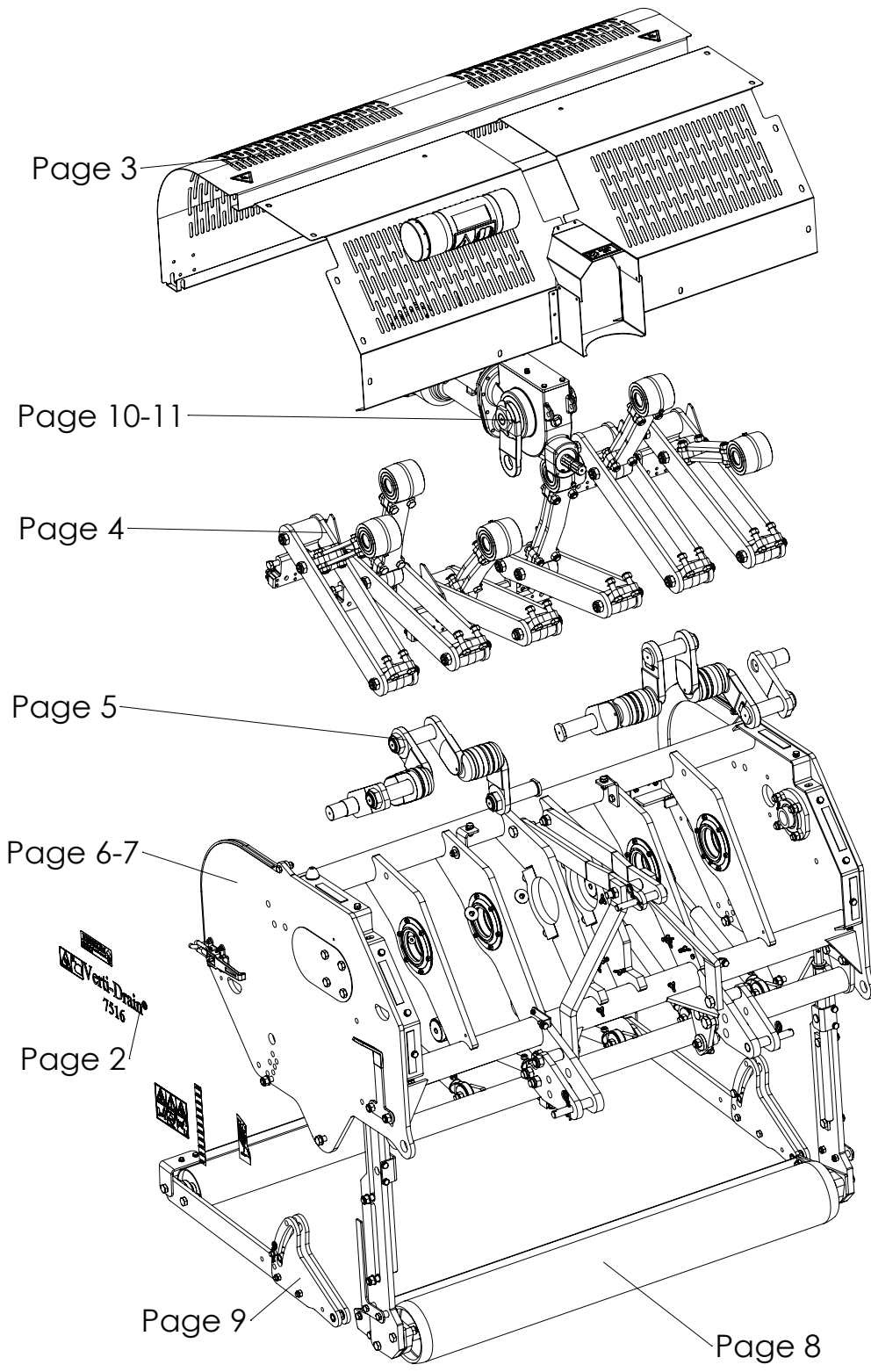
VERTI-DRAIN 7516



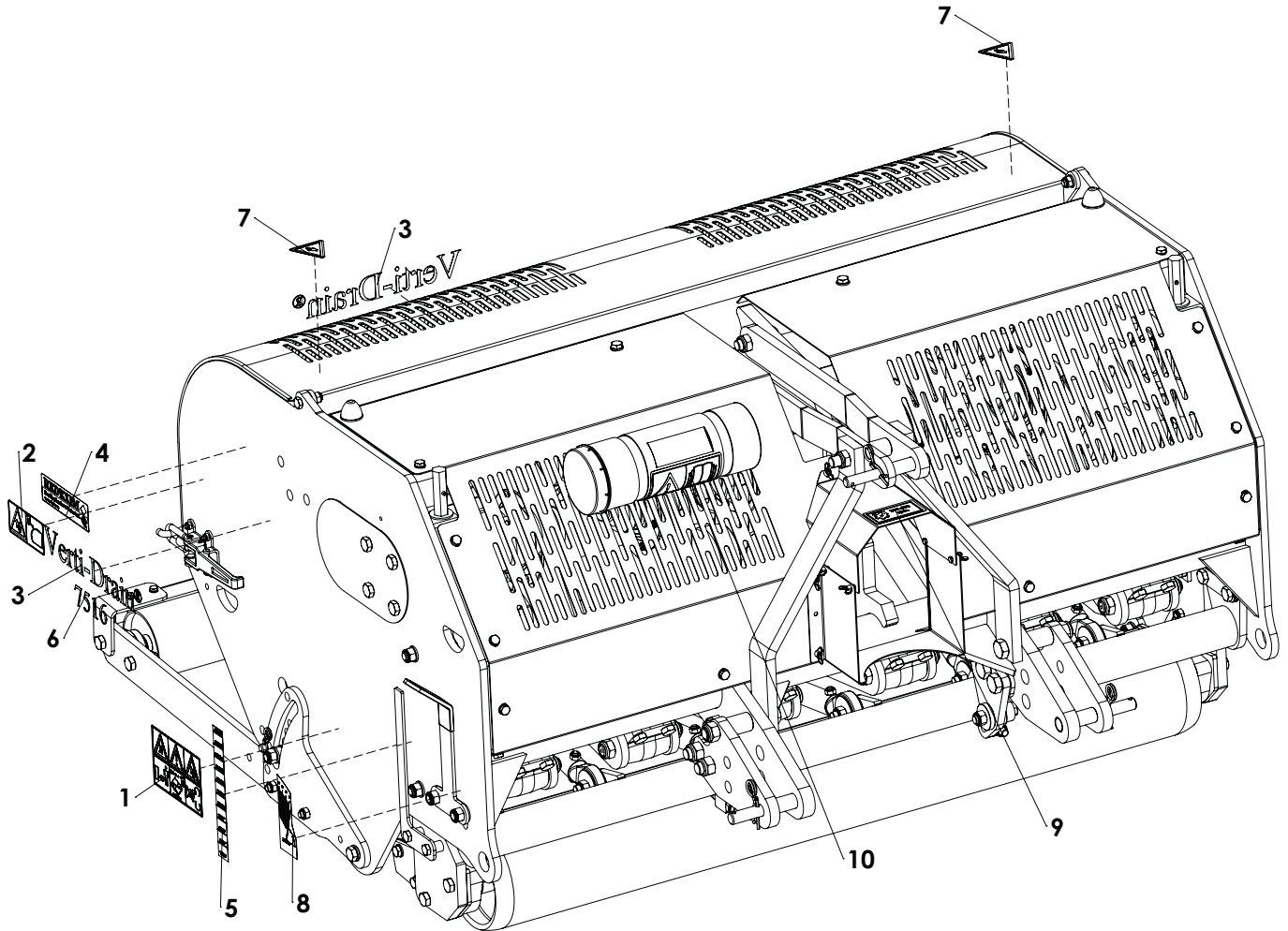
Version: 2135



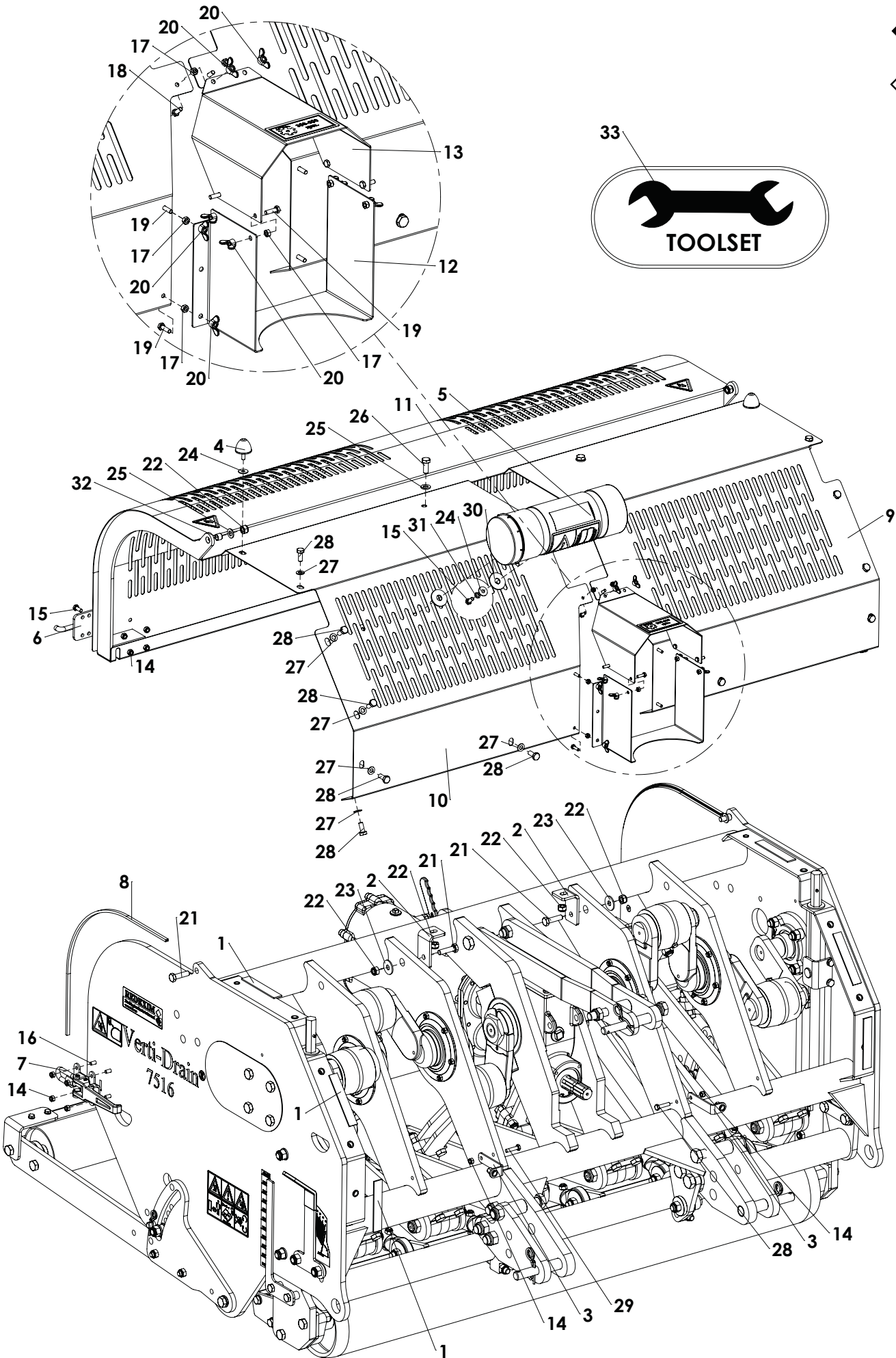
Kwekerijweg 8 | 3709JA | Zeist | The Netherlands |
T: +31 (0)306 933 227
E: redexim@redexim.com
W: www.redexim.com



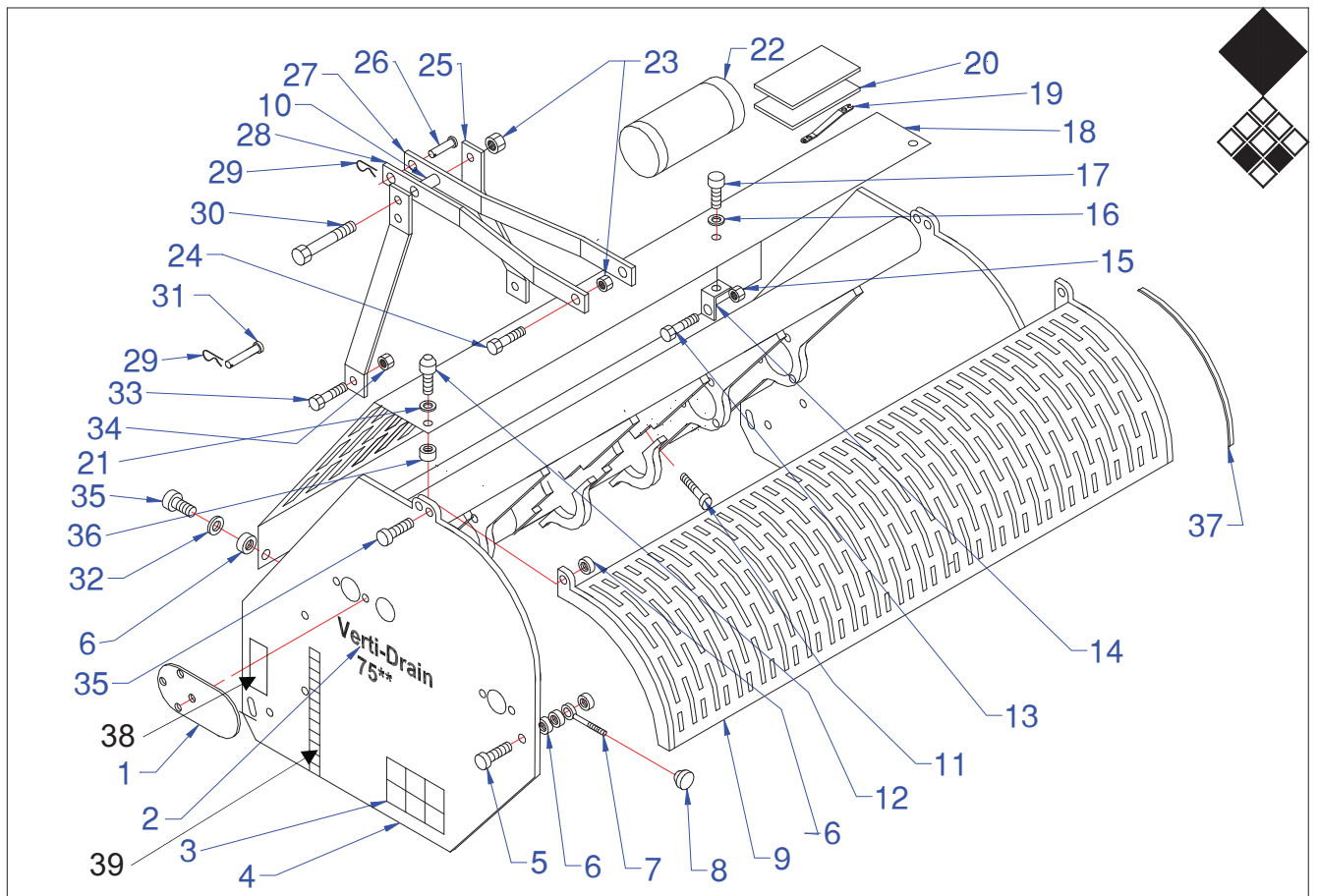
Page 12: Tines
Page 13: Adapters and turf hold down kits
Page 14: PTO
Page 15-16: Optional wheel kit



ITEM	PART NUMBER	DESCRIPTION	REMARKS	QUA
1	911.280.402	Safety Decall Verti-Drain		2
2	911.280.404	Decall close cover		2
3	911.260.402	Decall Verti-drain		3
4	900.260.403	Logo Label		2
5	900.260.412	Heigth label 150-400		2
6	911.260.416	Label 7516		2
7	900.280.404	Decall cut off fingers		2
8	911.260.404	Angle setting label VD		1
9	900.260.420	Decall PTO 300 500		1
10	900.280.402	Safety decall manual		1
11	880.040.100	Grease nipple Rp 1/4 straight		2

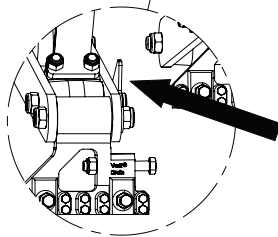
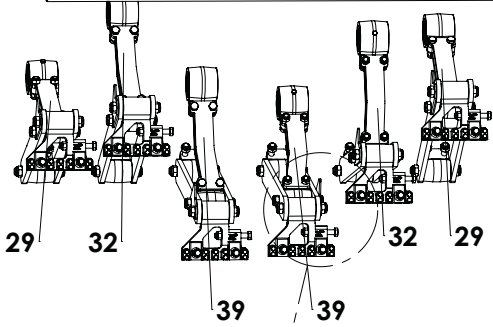
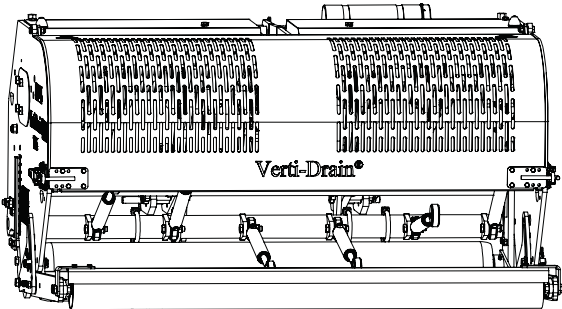
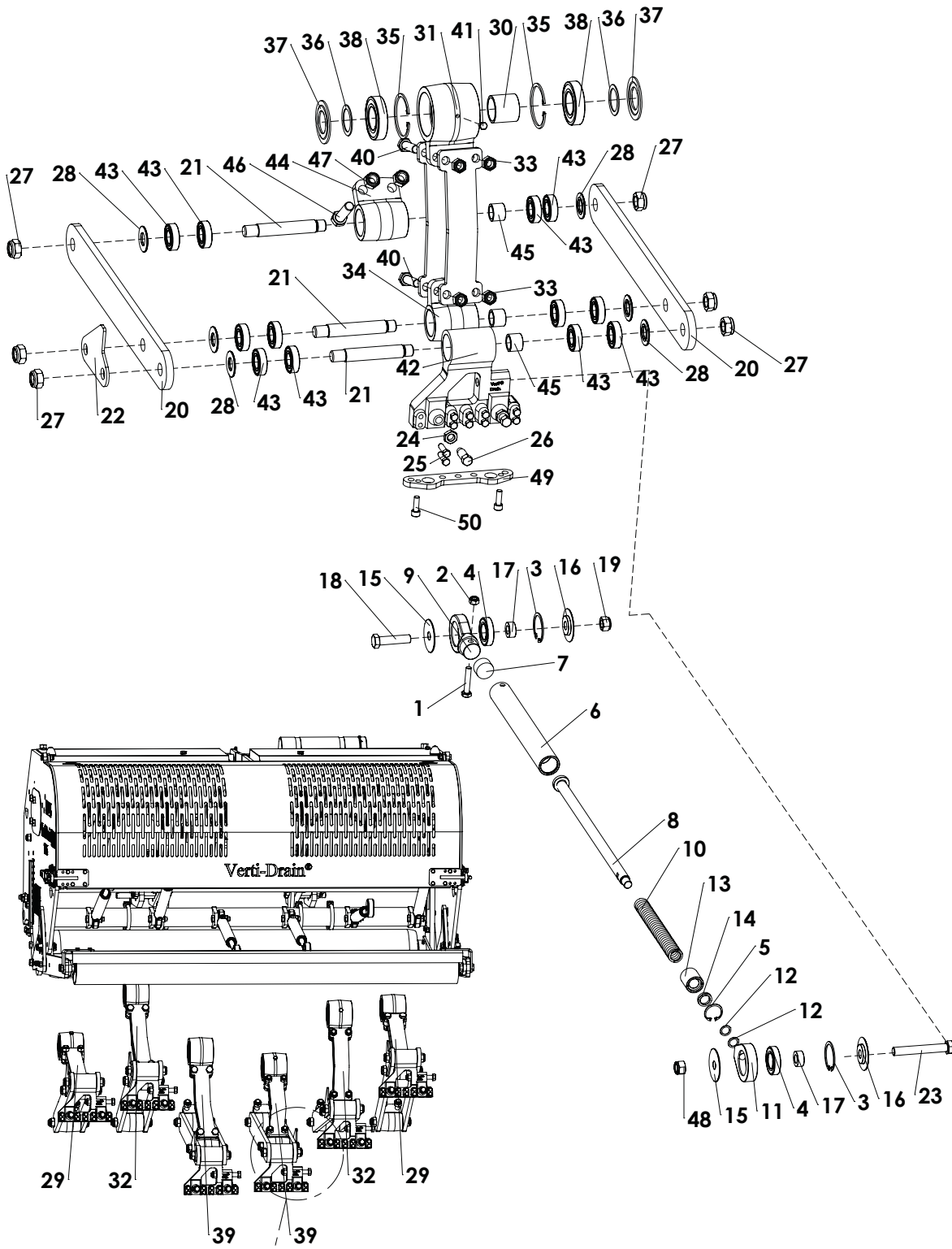


ITEM	PART NUMBER	DESCRIPTION	REMARKS	QUA
1	599.031.400	Foam rubber L=140		6
2	2283201	Bracket		2
3	464.041.060	Bracket		2
4	446.080.550	Rubber stop		2
5	444.803.100	Toolbox Complete		1
6	470.061.710	Lock plate		2
7	590.342.700	Clamp		2
8	9500006	Rubber U-seal		2
9	456.080.700	Front cover left 7516		1
10	456.080.702	Front cover right 7516		1
11	456.166.048	Rear cover VD7516		1
12	2282350	Bottom PTO Protection		1
13	2281782	TOP PTO protection cover		1
14	830.080.080	Self Lock Nut M8 - ISO 10511		18
15	804.080.200	Bolt M8 x 20 - ISO 4017		2
16	816.080.300	Bolt M8 x 30 - DIN 7991		8
17	826.060.060	Nut M6 - DIN 934		10
18	804.060.160	Bolt M6 x 16 - ISO 4017		2
19	804.060.200	Bolt M6 x 20 - ISO 4017		8
20	844.060.060	Winged nut		10
21	804.120.450	Bolt M12 x 45 - ISO 4017		4
22	830.120.120	Self Lock Nut M12 - ISO 10511		6
23	864.120.031	Large washer M12 - DIN 9021		2
24	864.080.024	Large washer M8 - DIN 9021		4
25	864.120.030	Washer M12 - ISO 7089		4
26	804.120.300	Bolt M12 x 30 - ISO 4017		2
27	864.100.030	Washer M10 - ISO 7089		12
28	804.100.250	Bolt M10 x 25 - ISO 4017		12
29	804.080.350	Bolt M8 x 35 - ISO 4017		2
30	864.140.031	Large washer M14 - DIN 9021		2
31	866.080.020	Spring Washer M8 - DIN 127		2
32	402.120.120	Distance bush		2
33	468.083.060	Set of tools		

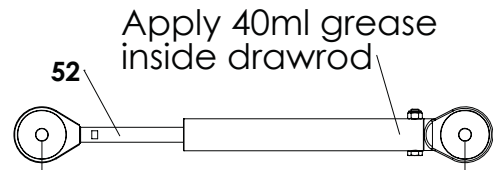


Redexim-Charterhouse Verti-Drain 7516 page 03 code 1225

	PART #	DESCRIPTION	REMARKS	QUA
1	2283224	Side cover plate 75 models		2
2	9500000	Verti-Drain 7516 decall set		1
3	9500002	Safety decall set 75 models		1
4	2306090	Main frame 7516		1
5	4001706	Bolt M10 x 60		2
6	4122000	Self lock nut M10		14
7	4091052	Eye bolt		2
8	2891200	Knurled nut		2
9	2283240	Rear cover 7516		1
10	2611930	Distance bush toplink 75		1
11	4012392	Gearbox support bolt		4
12	4972008	Rubber stop		2
13	4001858	Bolt M12 x 45		2
14	2283201	Front cover support		2
15	4122600	Self lock nut M12		4
16	4910120	Washer M12		4
17	4001842	Bolt M12 x 30		2
18	2212502	Front cover 7516		1
19	9100025	Combi-tool		1
20	9500004	User / parts manual 7516		1
21	4910620	Washer		2
22	9100030	Manual/ tool box empty		1
23	4125000	Self lock nut M20		4
24	4002748	Bolt M20 x 70		2
25	2251854	Top link support strip		1
26	2490810	Top link pin CAT 1-2		1
27	2251852	Top link strip right		1
28	2251850	Top link strip left		1
29	4397008	Linch pin		3
30	4002828	Bolt M20 x 160		1
31	2490886	Bottom lift arm pin	Complete with nut (old) for single plate	2
31	2490860	Bottom lift arm pin	Use with dual plates	2
32	4910100	Washer M10		6
33	4002996	Bolt M 22 x 140		2
34	4125850	Self lock nut M22		2
35	4001644	Bolt M10 x 25		6
36	4121400	Self lock nut M8		2
37	9500006	Rubber U seal		2
38	911.260.404	Angel setting label VD		1
39	900.260.409	Height label		2

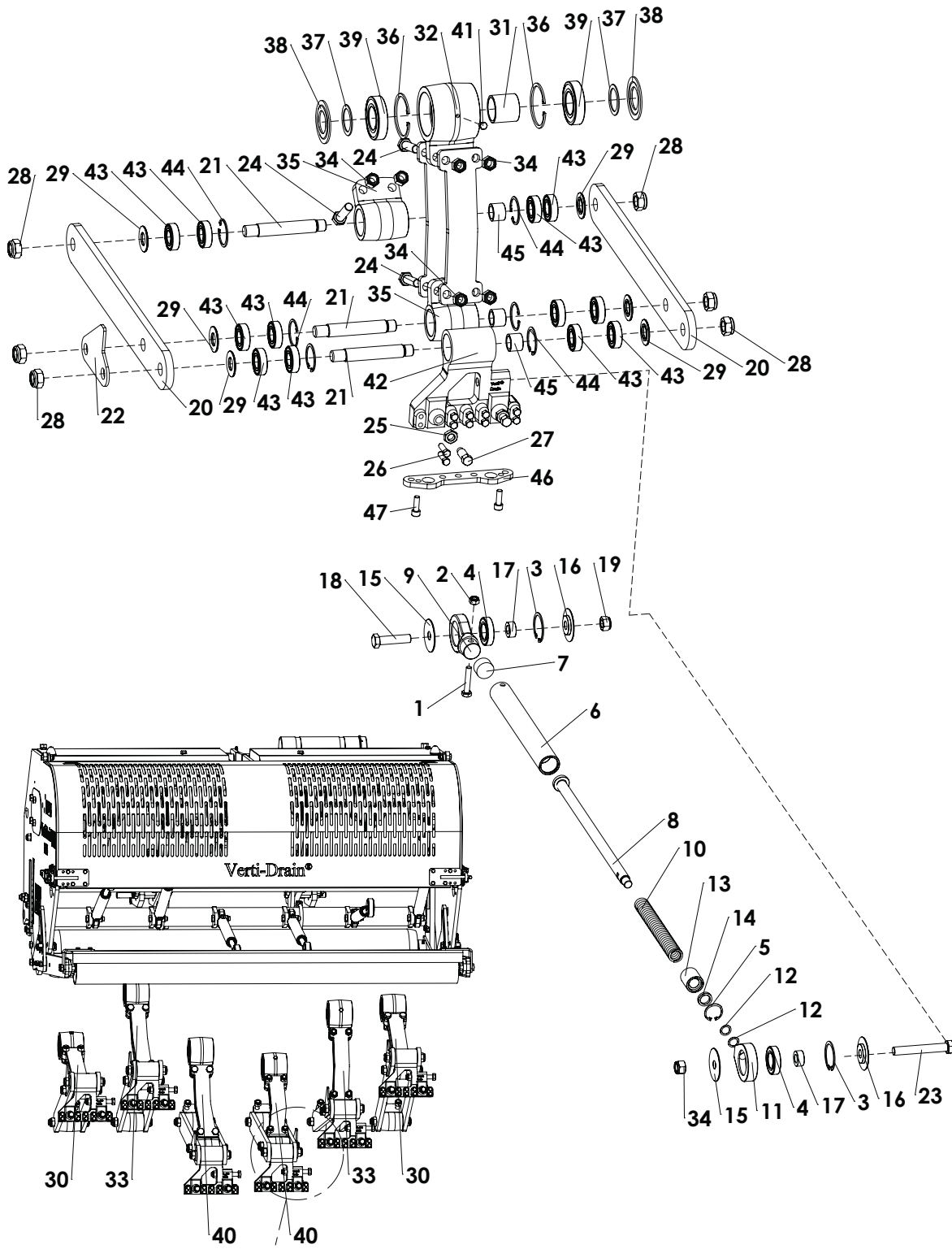


Only on this element
mount the lock plate (2283256)
on damper side to clear gearbox

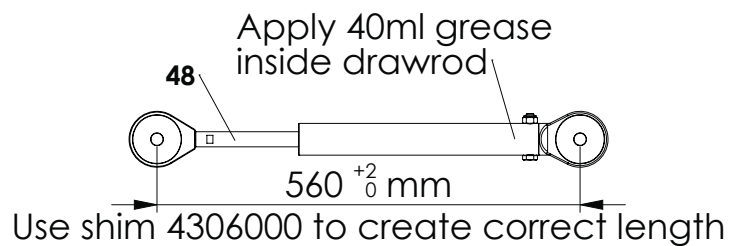


560 ⁺²mm (22.05"-22.12")
Use shim 4306000 to create correct length

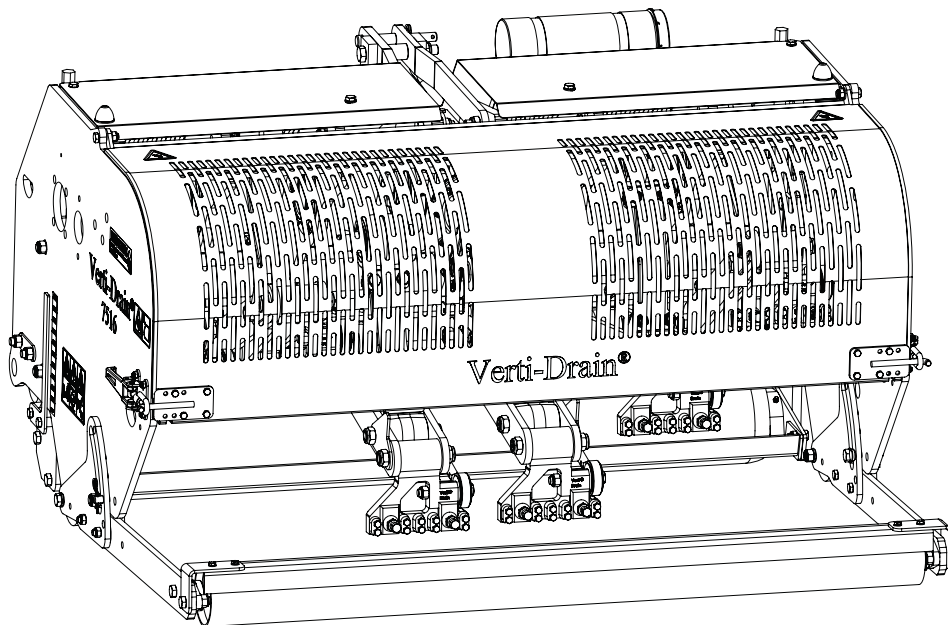
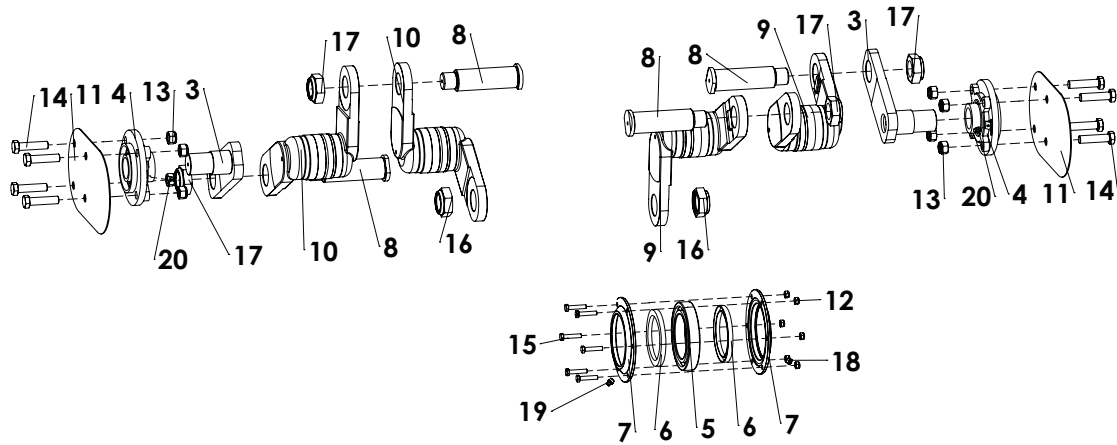
ITEM	PART NUMBER	DESCRIPTION	REMARKS	QUA
1	802.100.550	Bolt M10 x 55 - ISO 4014		1
2	830.100.100	Self Lock Nut M10 - ISO 10511		1
3	872.055.200	Circlip D=55 - DIN 472		2
4	713.300.130	Bearing 6006 LLU		2
5	872.035.150	Circlip D=35 - DIN 472		1
6	476.423.180	Tube for drawrod 75		1
7	2891110	Rubber stop		1
8	2283220	Draw rod 75		1
9	448.421.150	Draw rod head with stud		1
10	4781802	Compression spring		1
11	2991102	Draw rod head		1
12	4306000	Shim	Use as many to calibrate	2
13	2602454	Bush		1
14	4480015	Seal		1
15	404.160.050	Dust washer Ø65/Ø38/Ø16 L=5.25		2
16	404.160.070	Dust washer Ø65/Ø38/Ø16 L=7.25		2
17	406.160.130	Distance bush		2
18	416.160.700	Special bolt M16		1
19	831.160.160	Self Lock Nut M16x1.5 - ISO 10511		1
20	2941800	Arm strip 75		2
21	2490452	Support axis 75		3
22	2283256	Lock plate for tine holder		1
23	802.161.100	Bolt M16 x 110 - ISO 4014		1
24	826.160.080	Low Nut M16 - DIN 439		2
25	4001675	Tine holder bolt M10x35		10
26	4002315	Tine holder Bolt M16 x 40		2
27	4125800	Self Lock Nut M22 - ISO 10511		6
28	2661700	Distance washer		6
29	2382694	Connecting rod outer 75		4
30	2604522	Inner bush		1
31	492.951.610	Big end empty 75		1
32	2382690	Connecting rod middle 75		4
33	830.160.160	Self Lock Nut M16-ISO 10511 Class 10		4
34	2432102	Bearing support house empty 75	Replaced version with 2x circlip 872.035.150	2
35	872.085.300	Circlip D=85 - DIN 472		2
36	2604520	Distance washer big end		2
37	2661621	Dust cover big end		2
38	713.450.190	Bearing 6209-LLU		2
39	2382692	Connecting rod center 75		4
40	802.160.650	Bolt M16 x 65 - ISO 4014 - 10.9		4
41	804.080.160	Bolt M8 x 16 - ISO 4017		1
42	492.742.180	Tine holder empty 75		4
43	713.250.150	Bearing 6205-LLU		12
44	448.088.122	Bearing support house empty 75	Check mounting holes Ø18.2mm (0.72")	1
	2432102	Bearing support house empty 75	Check mounting holes Ø16.2mm (0.64")	1
45	2602452	Inner bush		3
46	802.180.700	Bolt M18 x 70 - ISO 4014 Class 10.9	Check diameter 18mm (0.71")	2
	802.160.650	Bolt M16 x 65 - ISO 4014 Class 10.9	Check diameter 16mm (0.63")	2
47	830.180.180	Self Lock Nut M18 - ISO 10511 - 10.9	Check diameter 18mm (0.71")	2
	830.160.160	Self Lock Nut M16 - ISO 10511 - 10.9	Check diameter 16mm (0.63")	2
48	830.160.160	Self Lock Nut M16-ISO 10511 Class 10		1
49	468.102.230	Additional tine plate holder		1
50	814.100.300	Bolt M10 x 30 - DIN 912		2
51	490.345.600	Drawrod complete	Total needed	8



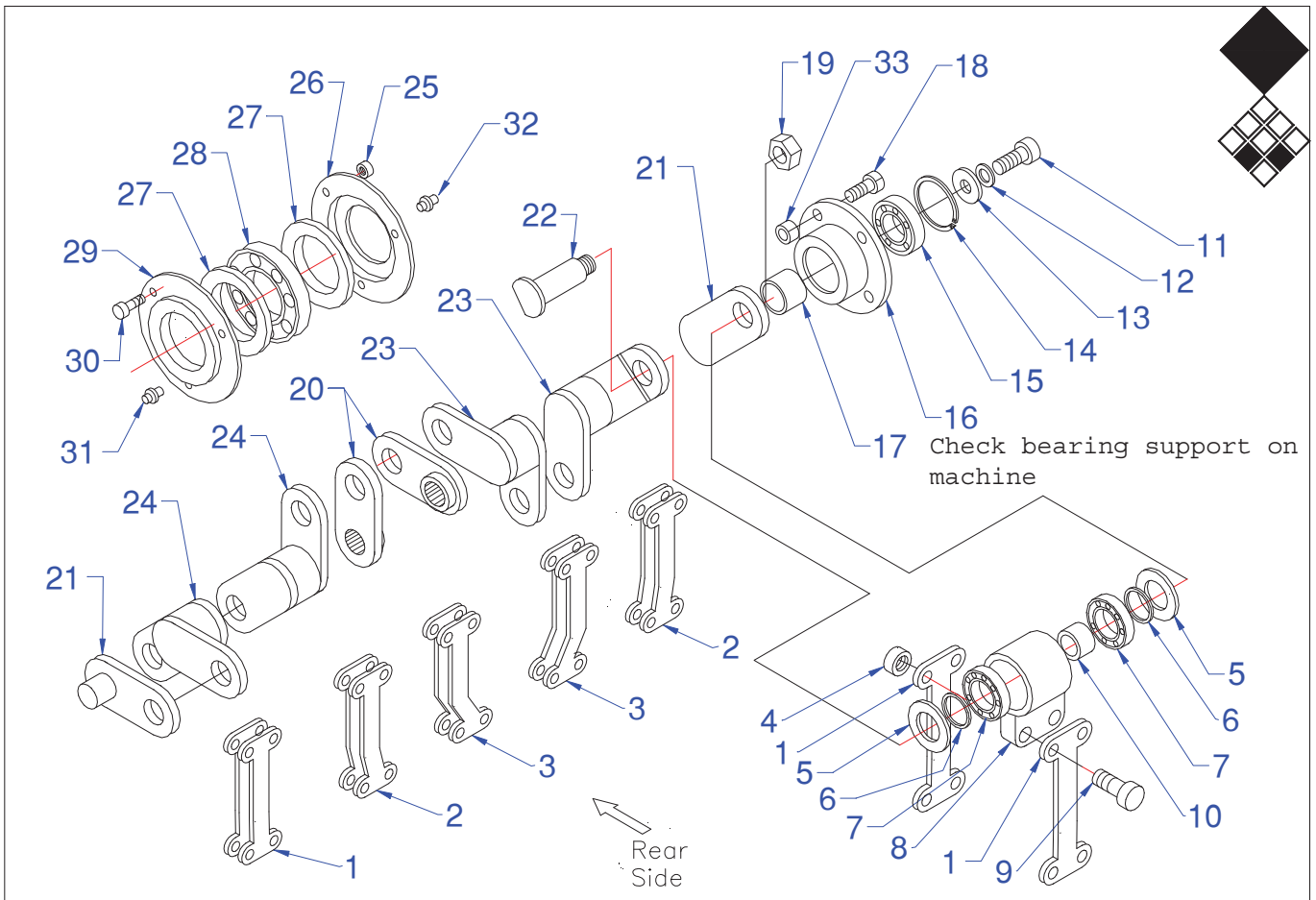
Only on this element
mount the lock plate (2283256)
on damper side to clear gearbox



ITEM	PART NUMBER	DESCRIPTION	REMARKS	QUA
1	802.100.550	Bolt M10 x 55 - ISO 4014	Quantity for 1 element	1
2	830.100.100	Self Lock Nut M10 - ISO 10511	Quantity for 1 element	1
3	872.055.200	Circlip D=55 - DIN 472	Quantity for 1 element	2
4	713.300.130	Bearing 6006 LLU	Quantity for 1 element	2
5	872.035.150	Circlip D=35 - DIN 472	Quantity for 1 element	1
6	476.423.180	Tube for drawrod 75	Quantity for 1 element	1
7	2891110	Rubber stop	Quantity for 1 element	1
8	2283220	Draw rod 75	Quantity for 1 element	1
9	448.421.150	Draw rod head with stud	Quantity for 1 element	1
10	4781802	Compression spring	Quantity for 1 element	1
11	2991102	Draw rod head	Quantity for 1 element	1
12	4306000	Shim	Quantity for 1 element	2
13	2602454	Bush	Quantity for 1 element	1
14	4480015	Seal	Quantity for 1 element	1
15	404.160.050	Dust washer Ø65/Ø38/Ø16 L=5.25	Quantity for 1 element	2
16	404.160.070	Dust washer Ø65/Ø38/Ø16 L=7.25	Quantity for 1 element	2
17	406.160.130	Distance bush	Quantity for 1 element	2
18	416.160.700	Special bolt M16	Quantity for 1 element	1
19	831.160.160	Self Lock Nut M16x1.5 - ISO 10511	Quantity for 1 element	1
20	2941800	Arm strip 75	Quantity for 1 element	2
21	2490452	Support axis 75	Quantity for 1 element	3
22	2283256	Lock plate for tine holder	Quantity for 1 element	1
23	802.161.100	Bolt M16 x 110 - ISO 4014	Quantity for 1 element	1
24	802.160.650	Bolt M16 x 65 - ISO 4014	Quantity for 1 element	6
25	826.160.080	Low Nut M16 - DIN 439	Quantity for 1 element	2
26	4001675	Tine holder bolt M10x35	Quantity for 1 element	10
27	4002315	Tine holder Bolt M16 x 40	Quantity for 1 element	2
28	4125800	Self Lock Nut M22 - ISO 10511	Quantity for 1 element	6
29	2661700	Distance washer	Quantity for 1 element	6
30	2382694	Connecting rod outer 75		4
31	2604522	Inner bush	Quantity for 1 element	1
32	492.951.610	Big end empty 75	Quantity for 1 element	1
33	2382690	Connecting rod middle 75		4
34	830.160.160	Self Lock Nut M16 - ISO 10511	Quantity for 1 element	7
35	2432102	Bearing support house empty 75	Quantity for 1 element	2
36	872.085.300	Circlip D=85 - DIN 472	Quantity for 1 element	2
37	2604520	Distance washer big end	Quantity for 1 element	2
38	2661621	Dust cover big end	Quantity for 1 element	2
39	713.450.190	Bearing 6209-LLU	Quantity for 1 element	2
40	2382692	Connecting rod center 75		4
41	804.080.160	Bolt M8 x 16 - ISO 4017	Quantity for 1 element	1
42	492.742.180	Tine holder empty 75	Quantity for 1 element	1
43	713.250.150	Bearing 6205-LLU	Quantity for 1 element	12
44	872.052.200	Circlip D=52 - DIN 472	Quantity for 1 element	6
45	2602452	Inner bush	Quantity for 1 element	3
46	468.102.230	Additional tine plate holder	Quantity for 1 element	1
47	814.100.300	Bolt M10 x 30 - DIN 912	Quantity for 1 element	2
48	490.345.600	Drawrod complete		6

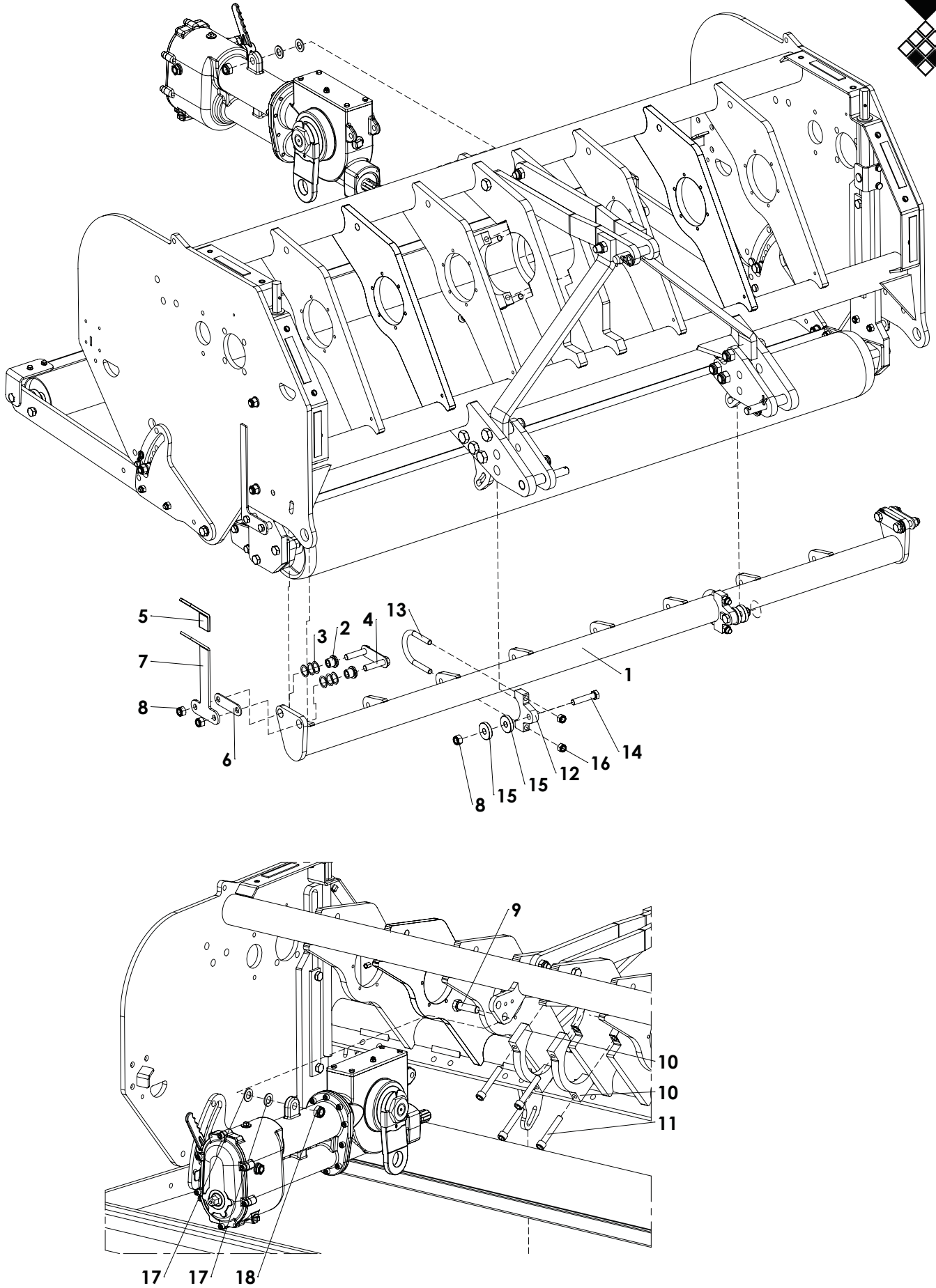


ITEM	PART NUMBER	DESCRIPTION	REMARKS	QUA
1	2283276	Rear roller scraper support		2
2	2283270	Scraper VD7516		1
3	470.200.800	End crank 7516		2
4	741.450.590	Bearing UELFC 209		2
5	711.950.240	Bearing 6019		4
6	4410310	Oil Seal 95x120x10 RP		8
7	468.151.804	Crank cover empty		8
8	2490182	Big end pin		4
9	2441434	7516 Left crank		2
10	2441432	7516 Right crank		2
11	468.023.310	Side cover plate		2
12	830.080.080	Self Lock Nut M8 - ISO 10511		24
13	830.160.160	Self Lock Nut M16 - ISO 10511		8
14	802.160.650	Bolt M16 x 65 - ISO 4014		8
15	802.080.400	Bolt M8 x 40 - ISO 4014		24
16	4129200	Nut M35x1.5		2
17	4129210	Nut M35x1.5		4
18	4067000	Breather M10x1		4
19	4061150	Grease nipple M10x1		4
20	880.040.100	Grease nipple Rp 1/4 straight		2

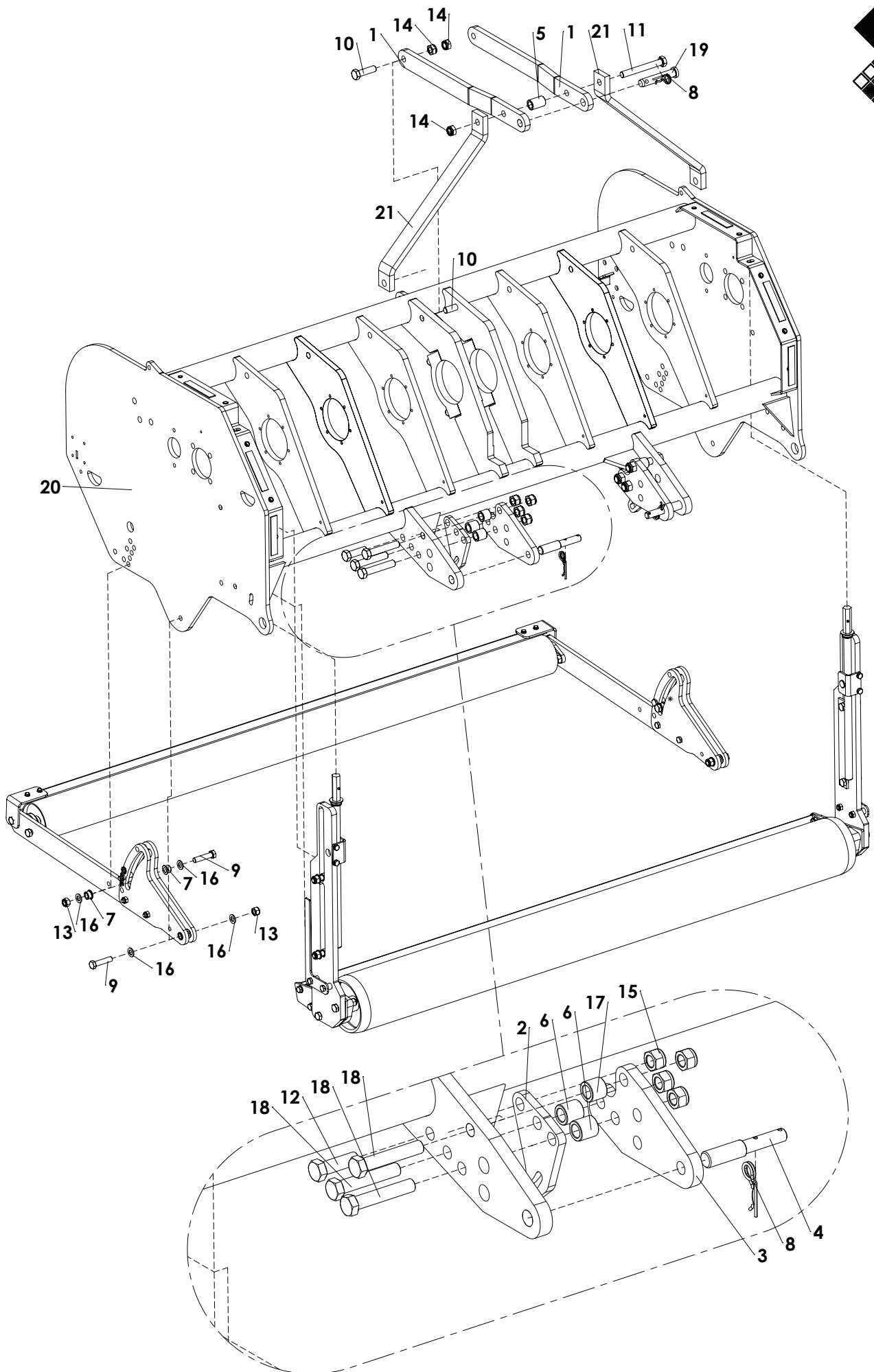


Redexim-Charterhouse Verti-Drain 7516 page 05 code 0104

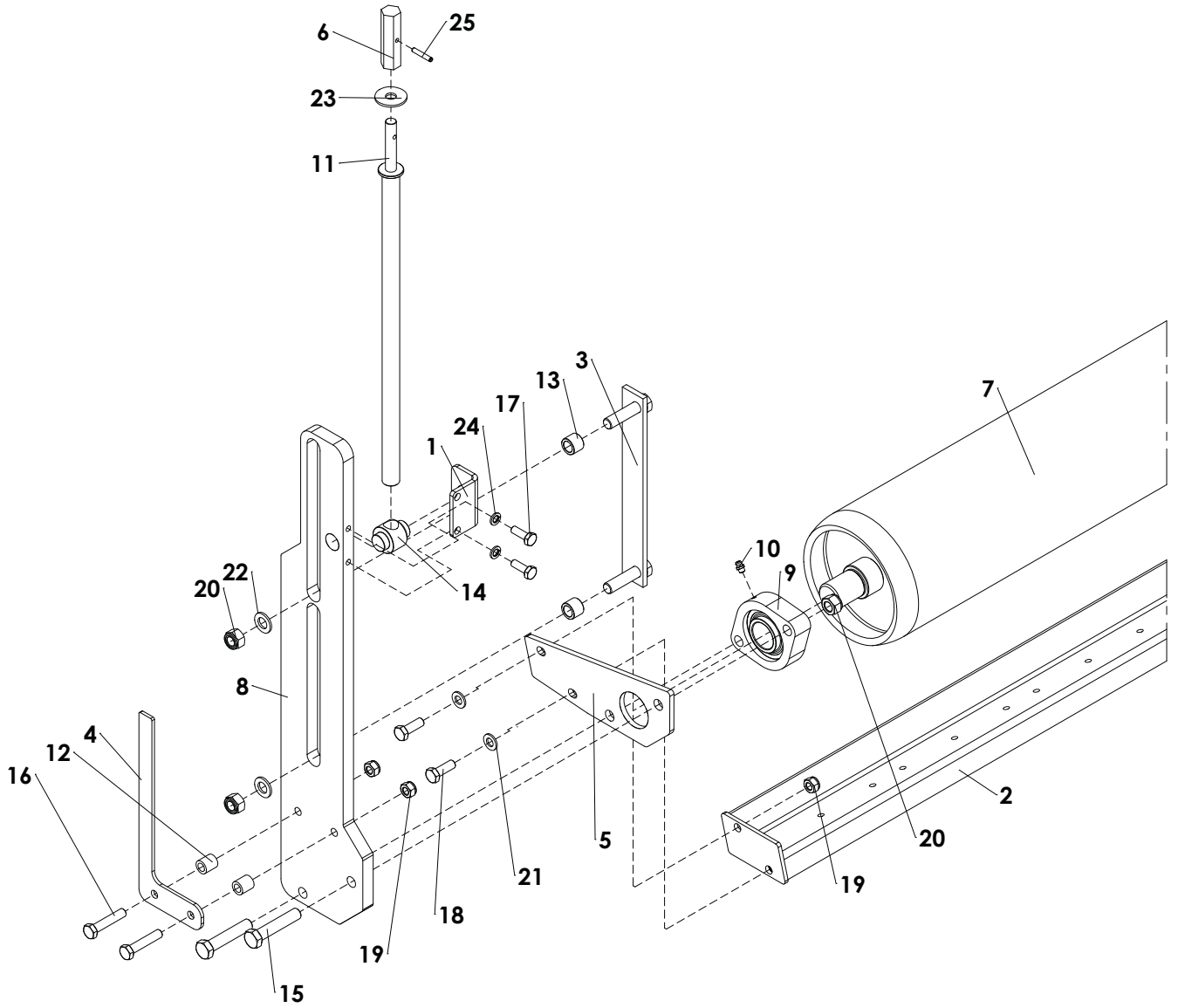
	PART #	DESCRIPTION	REMARKS	QUA
1	2382694	Connecting rod outer 75		4
2	2382690	Connecting rod middle 75		4
3	2382692	Connecting rod center 75		4
4	4123800	Self lock nut M16		12
5	2661621	Dust cover big end		12
6	2604520	Distance washer big end		12
7	4815880	Sealed bearing 6209 2RS		12
8	2437640	Big end empty 75		6
9	4002352	Bolt M16 x 65		12
10	2604522	Inner bush		6
11	4002028	Bolt M14 x 35 x1.5		2
12	4211100	Spring washer M14		2
13	2611928	Washer		2
14	4720085	Cir clip D 85		2
15	4815880	Sealed bearing 6209 2RS		2
16	2471870	Bearing support house crankshaft 75		2
17	2611932	Distance bush crank handle		2
18	4001874	Bolt M12x55		8
19	4129210	Big end pin nut	Use loctite	6
20		Splined arms	See page 11 for more information	
21	2444800	Crank handle		2
22	2490182	Big end pin		6
23	2441434	Left hand crank 7516	Note: assembled at right side of machine	2
24	2441432	Right hand crank 7516	Note: assembled at left side of machine	2
25	4121400	Self lock nut M8		24
26	2661658	Crank cover empty with breather	Use liquid paste for sealing to main frame	4
27	4410310	Oil seal 95x120x10 RP		8
28	4814200	Bearing 6019		4
29	2661658	Crank cover with grease nipple	Use liquid paste for sealing to main frame	4
30	4001470	Bolt M8 x 45		24
31	4061150	Grease nipple		4
32	4067000	Breather		4
33	4122600	Self lock nut M12		8
	1992730	pos 26-27-32		4
	1992732	pos 29-27-31		4



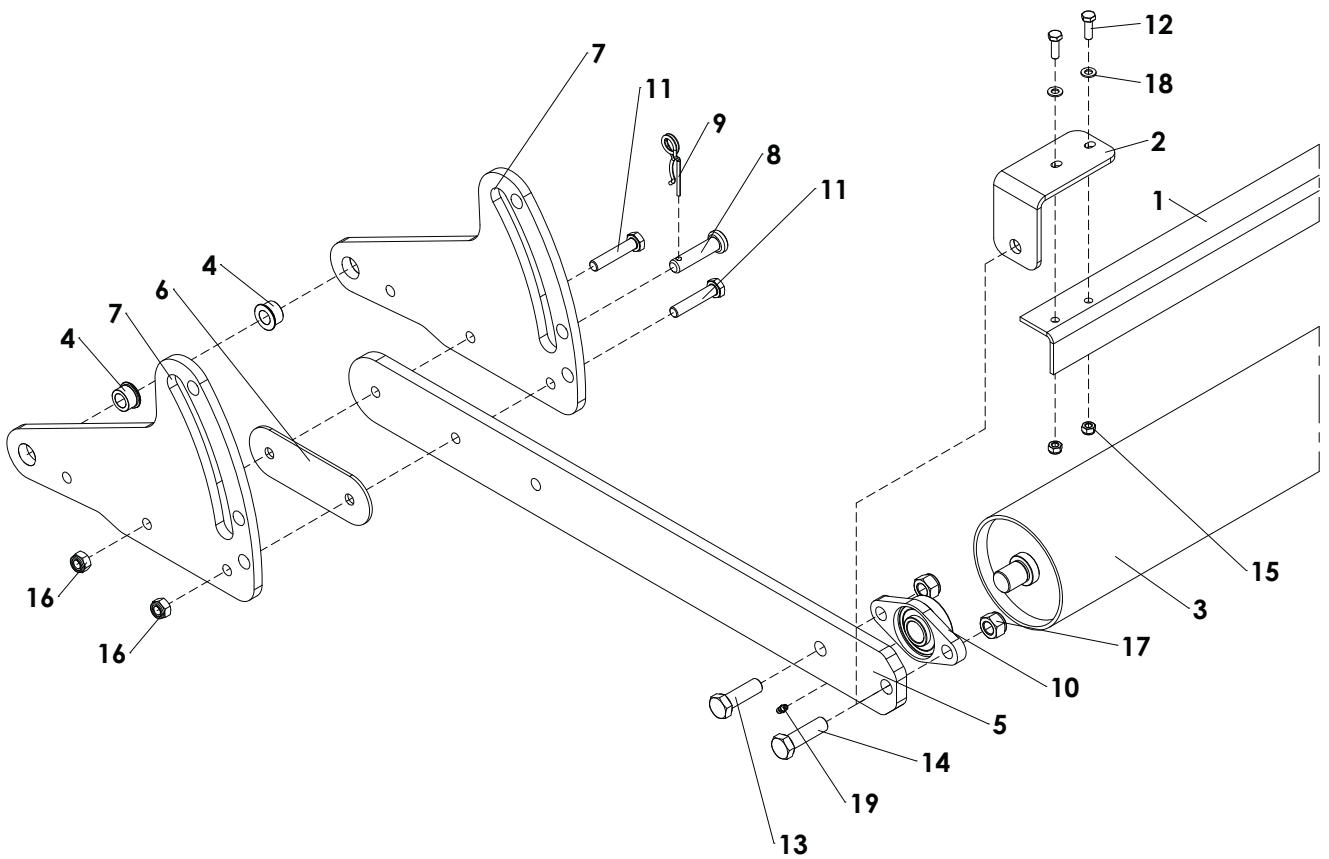
ITEM	PART NUMBER	DESCRIPTION	REMARKS	QUA
1	2382680	Central bar 7516		1
2	2611922	Bush for central bar		4
3	4306050	Shim		12
4	2283222	Bolt assembly central bar		2
5	446.401.250	Cover for lever 75 serie		1
6	2611924	Distance plate		2
7	2283230	Handle for adjusting angle 75		1
8	830.160.160	Self Lock Nut M16 - ISO 10511		6
9	802.200.650	Bolt M20 x 65 - ISO 4014		1
10	2479520	Bracket		2
11	814.161.000	DIN 912 - M16x100		4
12	466.279.000	Support bolt assy central bar		2
13	848.791.360	U-Bolt M14		2
14	802.160.750	Bolt M16 x 75 - ISO 4014		2
15	402.160.100	Distance washer Ø16.5/Ø50 L=10		4
16	830.140.140	Self Lock Nut M14 - ISO 10511		4
17	864.200.030	Washer M20 - ISO 7089		2
18	830.200.200	Self Lock Nut M20 Din 985 h=17		1



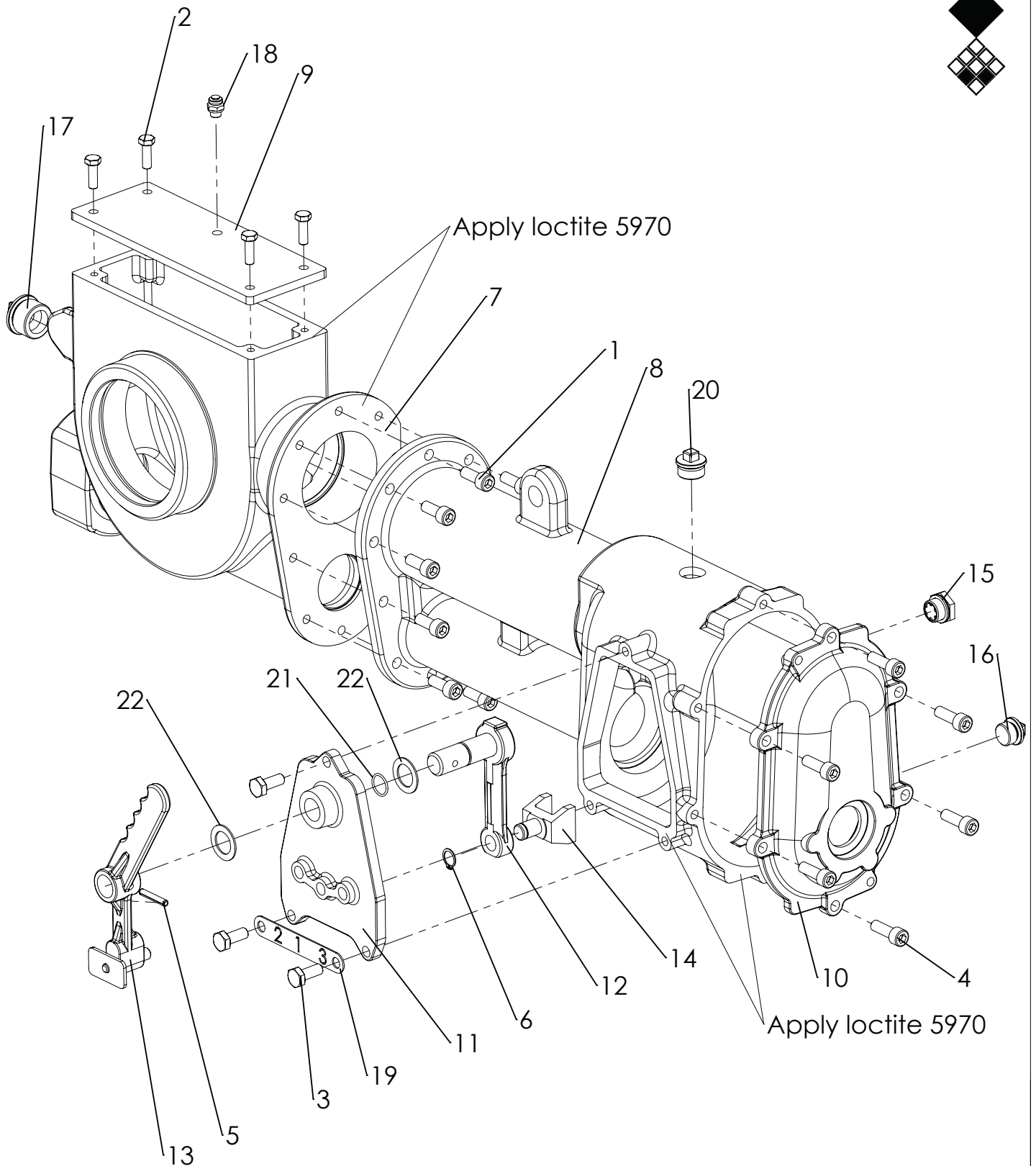
ITEM	PART NUMBER	DESCRIPTION	REMARKS	QUA
1	2251852	3-point arm 20mm		2
2	2283207	Central bar support		2
3	2283260	3-point plate		2
4	2490860	3-Point pin Ø28/Ø22 L=160		2
5	2611930	Distance bush toplink		1
6	2611942	Distance bush		4
7	404.160.160	Pivot bush		4
8	523.051.000	R-clip Round 5, DIN 11024		3
9	802.160.700	Bolt M16 x 70 - ISO 4014		4
10	802.200.700	Bolt M20 x 70 - ISO 4014		3
11	802.201.600	Bolt M20 x 160 - ISO 4014		1
12	802.220.700	Bolt M22 x 70 - ISO 4014		2
13	830.160.160	Self Lock Nut M16 - ISO 10511		4
14	830.200.200	Self Lock Nut M20 Din 985 h=17		3
15	830.220.220	Self Lock Nut M22 - ISO 10511		8
16	864.160.030	Washer M16 - ISO 7089		8
17	406.220.300	Distance bush Ø35/Ø22 L=30		2
18	802.221.200	Bolt M22 x 120 - ISO 4014		6
19	521.251.380	Top link pin		1
20	2306090	Frame 7516		1
21	2251858	3-point strip		2



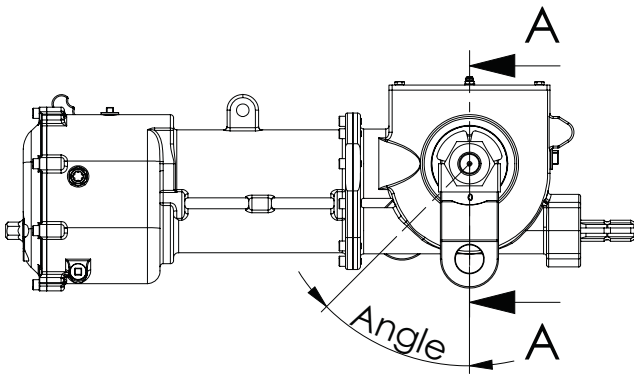
ITEM	PART NUMBER	DESCRIPTION	REMARKS	QUA
1	2283200	Spindle nut support 75		2
2	2283210	Scraper 7516		1
3	2283226	Front roller support bolt assy		2
4	2283228	Height indicator 75		2
5	2283232	Front roller scraper support 75		2
6	2283234	Spindle head 75		2
7	2344430	Front roller VD7516		1
8	2382606	Front roller support 75		2
9	2471872	Front roller bearing		2
10	880.080.100	Grease nipple M8 DIN 71412A		2
11	2692108	Front roller spindle 75		2
12	402.130.220	Bush Ø20 L=22		4
13	402.160.190	Distance bush		4
14	4972870	Front roller spindle nut		2
15	802.160.800	Bolt M16 x 80 - ISO 4014		4
16	802.120.600	Bolt M12 x 60 - ISO 4014		4
17	804.100.300	Bolt M10 x 30 - ISO 4017		4
18	804.120.350	Bolt M12 x 35 - ISO 4017		4
19	830.120.120	Self Lock Nut M12 - ISO 10511		8
20	830.160.160	Self Lock Nut M16 - ISO 10511		8
21	864.120.030	Washer M12 - ISO 7089		4
22	864.160.030	Washer M16 - ISO 7089		4
23	864.140.031	Large washer M14 - DIN 9021		2
24	866.100.020	Spring Washer M10 - DIN 127		4
25	878.060.350	Roll Pin 6 x 35 - ISO 8752		2



ITEM	PART NUMBER	DESCRIPTION	REMARKS	QUA
1	2283270	Scraper VD7516		1
2	2283276	Rear roller scraper support		2
3	2344420	Rear roller 7516		1
4	404.160.160	Pivot bush		4
5	464.158.200	Second rear roller support		2
6	468.031.800	Distance plate		2
7	468.123.700	Main Rear Roller support		4
8	521.160.510	Lock pin rear roller		2
9	523.030.750	R-Clip Round 3, DIN 11024		2
10	742.250.360	Bearing UCFL 205		2
11	802.120.600	Bolt M12 x 60 - ISO 4014		4
12	804.080.250	Bolt M8 x 25 - ISO 4017		4
13	804.160.500	Bolt M16 x 50 - ISO 4017		2
14	804.160.550	Bolt M16 x 55 - ISO 4017		2
15	830.080.080	Self Lock Nut M8 - ISO 10511		4
16	830.120.120	Self Lock Nut M12 - ISO 10511		4
17	830.160.160	Self Lock Nut M16 - ISO 10511		4
18	864.080.030	Washer M8 - ISO 7089		4
19	880.060.100	Grease nipple M6 DIN 71412A		2

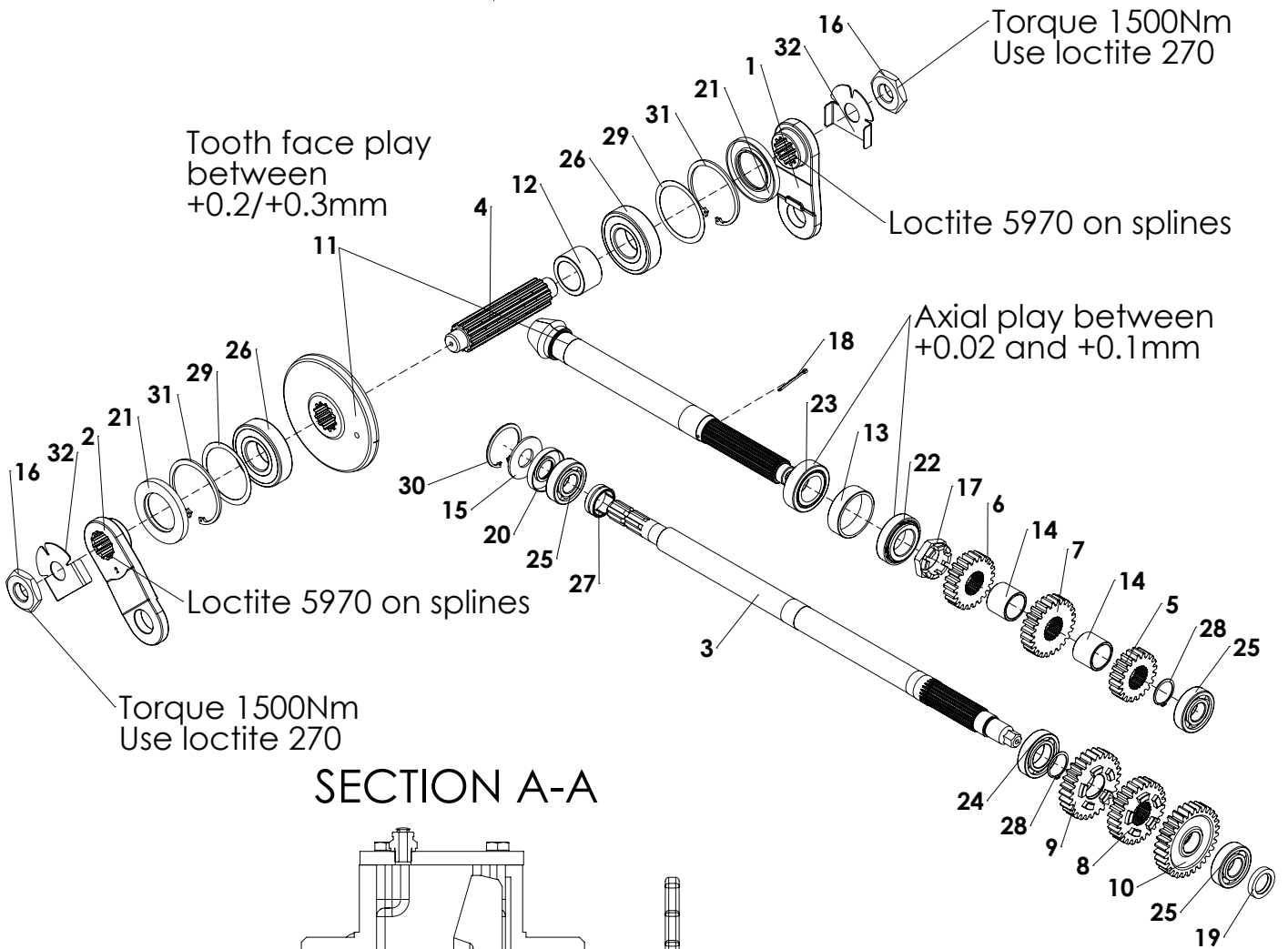


ITEM	PART NUMBER	DESCRIPTION	REMARKS	QUA
1	814.100.250	Bolt M10 x 25 - DIN 912		10
2	804.080.250	Bolt M8 x 25 - ISO 4017		4
3	804.100.250	Bolt M10 x 25 - ISO 4017		3
4	814.100.300	Bolt M10 x 30 - DIN 912		6
5	878.060.350	Roll Pin 6 x 35 - ISO 8752		1
6	870.015.100	Circlip d=15 - DIN 471		1
7	2401410	Front part gearbox		1
8	2401409	Gearbox back		1
9	2471418	Top cover gearbox		1
10	2471856	Gearbox backcover		1
11	2471431	Cover lever		1
12	2469210	Lever with pin		1
13	1994002	Gear lever complete		1
14	2779970	Fork		1
15	820.210.180	Level / fill glass		1
16	4561000	Tap 1/2"		1
17	4561100	Tap 1"		1
18	4067008	Breather gearbox		1
19	468.021.462	Gear indicator		1
20	856.240.240	Gas cap 3/4"		1
21	4422075	O-ring D18.77x1.78		1
22	2894040	Plastic washer 22.2x34x1.5		2
		Use oil 80W90		5.8 Ltr
	1441830-60	Gearbox complete 7516		
	1441830-45	Gearbox complete 7521		
	1441830-36	Gearbox complete 7526		

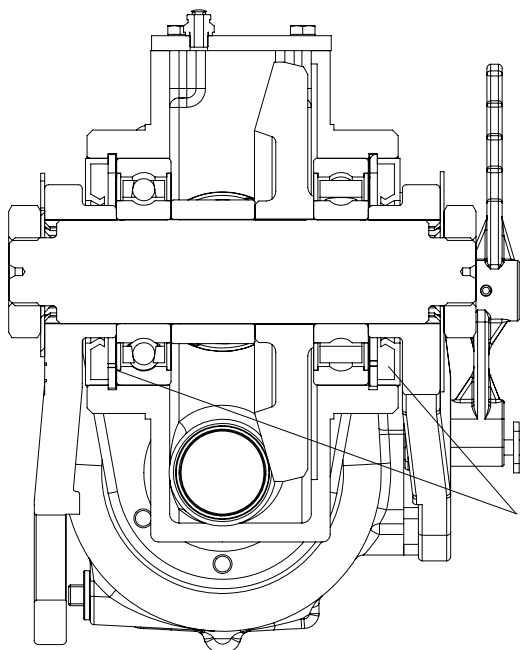


Angle:

- Verti-Drain 7516 - 60°
- Verti-Drain 7521 - 45°
- Verti-Drain 7526 - 36°



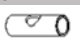

SECTION A-A

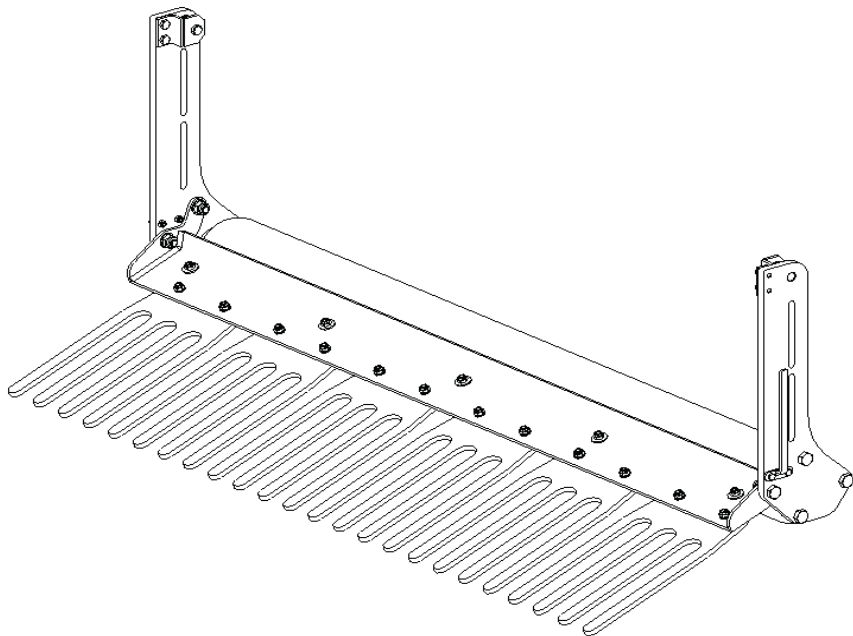


Fill area between seal and bearing complete with a NLGI 2-3 bearing grease. Also apply grease between shaft and seal before assembly.

ITEM	PART NUMBER	DESCRIPTION	REMARKS	QUA
1	2447810	Right hand crank 7516-21-26		1
2	2447812	Left hand crank 7521		1
	2447814	Left hand crank 7526		1
	2447810	Left hand crank 7516		1
3	2460800	Input shaft		1
4	2462100	Splined shaft		1
5	2504450	Gear Z20-m4.25		1
6	2504473	Gear Z22-m4.25		1
7	2504495	Gear Z24-m4.25		1
8	2504512	Gear Z26-m4.25		1
9	2504533	Gear Z28-m4.25		1
10	2504551	Gearwheel Z=30		1
11	2527405	Crownwheel and pignon		1
12	2611404	Distance bush		1
13	2611600	Centering bush		1
14	2612800	Distance bush		2
15	2661490	Washer		1
16	4109300	Nut M36x3		2
17	4135200	Castle Nut		1
18	4317460	Cotter Pin 4 x 56 - DIN 94		1
19	4406260	Oil Seal 35x56x10		1
20	4406460	Oil seal 35x80x12		1
21	4409540	Oil seal 70x120x12		2
22	4810490	Bearing 32210		1
23	4811170	Bearing 33210		1
24	4815270	Bearing 6209		1
25	4816910	Bearing 6307		3
26	713.550.290	Bearing 6311-2RS		2
27	4819215	Bearing NK45/20		1
28	870.045.180	Circlip DIN 471 - 45 x 1.75		2
29	869.120.002	Set of shims 100x120 5x0.1 2x0.3		1
30	872.080.250	Circlip D=80 - DIN 472		1
31	872.120.400	Circlip D=120 - DIN 472		2
32	2282200	Lock plate		2

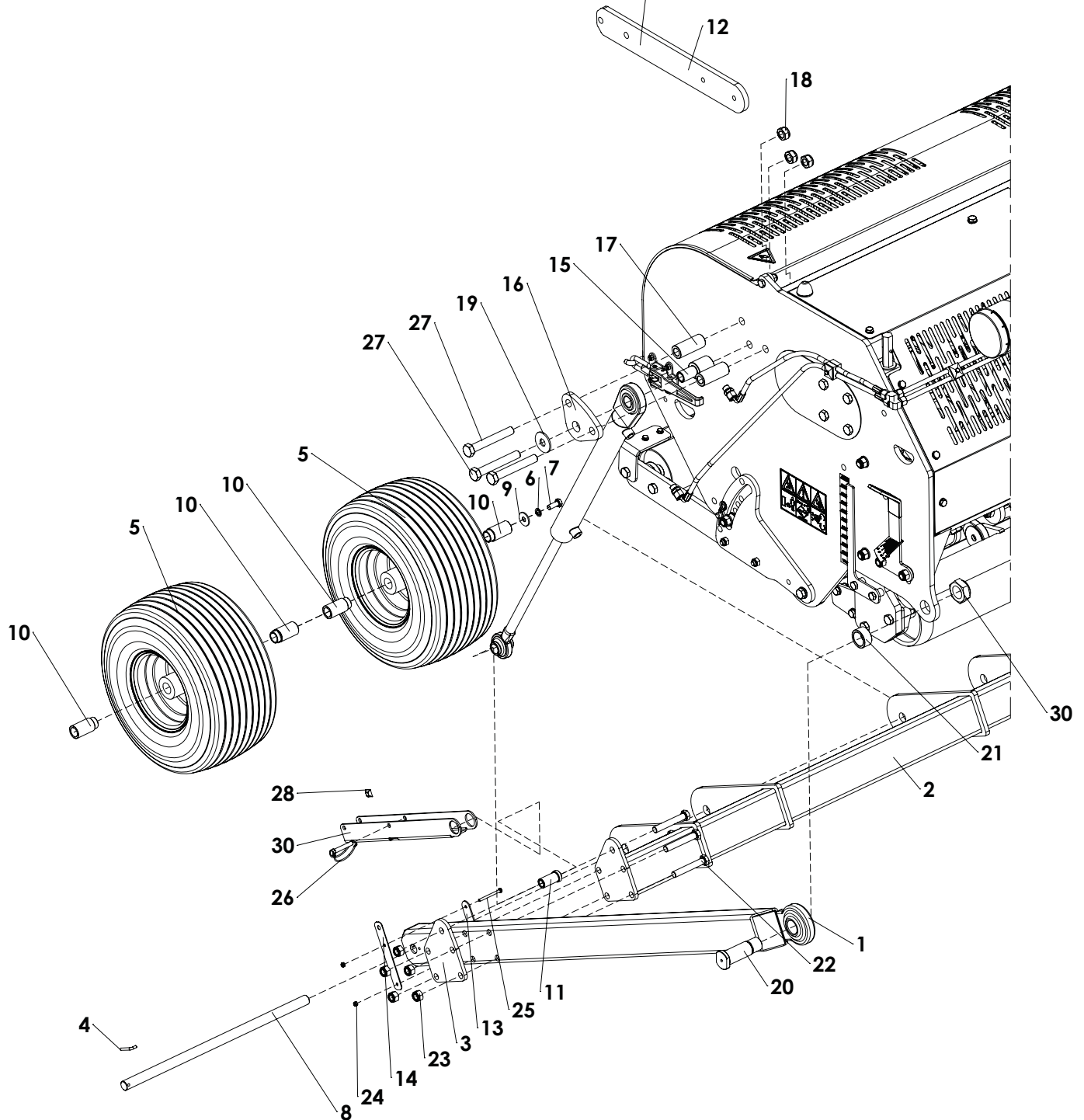
Solid tines							7516
Mountig Ø (mm)	Tine Size (mm)	Tine Size (inch)	Part #	Adapter			Qua
5	5 x 125	3/16 x 5	311.105.125	J or multi-tine block mini			24+J
8	8 x 150	5/16 x 6	311.108.150	K or multi-tine block			24+K or 48+N+U+W
8	8 x 175	5/16 x 7	9990056	K or multi-tine block			24+K or 48+N+U+W
8	8 x 250	5/16 x 10	9990059	K - Don't use in MTH. Will bend			24+K
12	12 x 150	1/2 x 6	311.112.150				24
12	12 x 200	1/2 x 8	311.112.200				24
12	12 x 225	1/2 x 9	311.112.225				24
12	12 x 250	1/2 x 10	2381837				24
12	12 x 300	1/2 x 12	2381838				24
18	18 x 200	3/4 x 8	311.118.200	L or non needed			12+L
18	18 x 225	3/4 x 9	311.118.225	L or non needed			12+L
18	18 x 250	3/4 x 10	2381841	L or non needed			12+L
18	18 x 300	3/4 x 12	2382638	L or non needed			12+L
18	18 x 350	3/4 x 14	311.118.350	L or non needed			12+L
18	18 x 400	3/4 x 16	2382639	L or non needed			12+L
24	24 x 225	1 x 9	311.124.225				12
24	24 x 350	1 x 14	311.124.350				12
24	24 x 400	1 x 16	2382640				12
Tines for verti-core							7516
19	10x100	3/8 x 4	39200-447	Tines for verti-core that also fit Verti-drain			
8	8x95	5/16 x 3 13/16	311.108.095	Tines for verti-core that also fit Verti-drain			
Hollow tines							7516
Mountig Ø (mm)	Tine Size (mm)	Tine Size (inch)	Part #	Adapter			Qua
8	10 x 6 x 80	3/8 x 1/4 x 3	311.210.080	K or multi-tine block			24+K or 48+N+U+W
8	10 x 6 x 125	3/8 x 1/4 x 5	311.210.127	K or multi-tine block			24+K or 48+N+U+W
12	16 x 10 x 150	5/8 x 3/8 x 6	311.216.150				24
12	16 x 10 x 175	5/8 x 3/8 x 7	9990022				24
12	19 x 12 x 150	3/4 x 1/2 x 6	311.219.150				24
18	19 x 12 x 200	3/4 x 1/2 x 8	311.219.200	L or non needed			12+L
12	19 x 12 x 200	3/4 x 1/2 x 8	311.219.201				24
18	19 x 12 x 225	3/4 x 1/2 x 9	311.219.225	L or non needed			12+L
12	19 x 12 x 225	3/4 x 1/2 x 9	311.219.226				24
12	19 x 12 x 250	3/4 x 1/2 x 10	9990040				24
18	19 x 12 x 250	3/4 x 1/2 x 10	9990023	L or non needed			12+L
18	25 x 16 x 200	1 x 5/8 x 8	311.225.200	L or non needed			12+L
18	25 x 16 x 225	1 x 5/8 x 9	311.225.225	L or non needed			12+L
18	25 x 17 x 250	1 x 5/8 x 10	9990024	L or non needed			12+L
18	29 x 19 x 250	1 1/8 x 3/4 x 10	9990066	L or non needed			12+L
24	32 x 21 x 300	1 1/4 x 13/16 x 12	9990034				12
18	32 x 21 x 300	1 1/4 x 13/16 x 12	9990041	L or non needed			12+L
Tines for verti-core that also fit Verti-drain 15xx							7516
Mountig Ø (mm)	Tine Size (mm)	Tine Size (inch)	Part #	Ejecting from			Qua
19	21x12x125	13/16 x 1/2 x 5	9990075	Side			n/a
19	19x10x125	3/4 x 3/8 x 5	311.219.159	Side			n/a
19	19x10x110	3/4 x 3/8 x 4 3/8	311.219.158	Top			n/a
19	16x7x110	5/8 x 1/4 x 4 3/8	311.219.138	Top			n/a
Replacement tubes							7516
Mountig Ø (mm)	Tine Size (mm)	Tine Size (inch)	Part #	Combine with rollpin			Qua
12	16 x 10 x 150	5/8 x 3/8 x 6	311.716.150	9990010			
12	16 x 10 x 175	5/8 x 3/8 x 7	9990036	9990010			24
12	19 x 12 x 150	3/4 x 1/2 x 6	311.719.150	9990012			
18	19 x 12 x 200	3/4 x 1/2 x 8	311.719.200	9990012			
12	19 x 12 x 200	3/4 x 1/2 x 8	311.719.200	9990012			
18	19 x 12 x 225	3/4 x 1/2 x 9	311.719.225	9990012			
12	19 x 12 x 225	3/4 x 1/2 x 9	311.719.225	9990012			
12	19 x 12 x 250	3/4 x 1/2 x 10	9990037	9990012			24
18	19 x 12 x 250	3/4 x 1/2 x 10	9990037	9990012			24
18	25 x 16 x 200	1 x 5/8 x 8	311.725.200	9990014			
18	25 x 16 x 225	1 x 5/8 x 9	311.725.225	9990014			
18	25 x 17 x 250	1 x 5/8 x 10	9990038	9990014			12
18	29 x 19 x 250	1 1/8 x 3/4 x 10	9990067	9990016			12
24	32 x 21 x 300	1 1/4 x 13/16 x 12	9990039	9990016			12
18	32 x 21 x 300	1 1/4 x 13/16 x 12	9990039	9990016			12
Cross tines							7516
Mountig Ø (mm)	Tine Size (mm)	Tine Size (inch)	Part #	Adapter			Qua
8	12 x 90	1/2 x 3 1/2	9990020	K or multi-tine block			24 + K
12	12 x 90	1/2 x 3 1/2	311.812.090				
12	19 x 120	3/4 x 5	9990021				24
Chisel tines							7516
Mountig Ø (mm)	Tine Size (mm)	Tine Size (inch)	Part #			Qua	
12	4.8 x 19 x 175	3/16 x 3/4 x 7	311.619.175			24	
12	4.8 x 19 x 120	3/16 x 3/4 x 4 3/4	311.619.120			24	
Tines for verti-core							7516
19	5 x 30 x 90	3/16 x 1 3/16 x 3 1/2	311.619.127	Tines for verti-core			
Composed hollow tines							7516
Shank							7516
	Size (mm)	Size (inch)	Part #			Qua	
A	12	1/2	311.120.690	(Straight)		24	
B	18	3/4	311.180.782	(Straight)		12	
C	12	1/2	311.180.780			24	
D	24	1	311.240.862	(Straight)		12	
E	18	3/4	311.240.860				
Clip							7516
	Size (mm)	Size (inch)	Part #			Qua	
F	16	5/8	438.160.160			24	
G	22	7/8	438.220.220			24 / 12	
H	30	1 3/16	438.300.300			12	
Hollow tine tube (folded)							7516
Tine Size (mm)	Tine Size (inch)	Part #			Qua		
16 x 150	5/8 x 6	317.316.150	Combine with:	A and F	24A+24F		
16 x 200	5/8 x 8	317.316.200	Combine with:	A and F	24A+24F		
22 x 150	7/8 x 6	317.322.150	Combine with:	B or C and G	24B+24G+24L		
					24C+24G		
22 x 250	7/8 x 10	317.322.250	Combine with:	B or C and G	24B+24G+24L		
					24C+24G		
22 x 150	7/8 x 6	317.322.150	Combine with:	B or C and G	12B+12G+12L		
					12C+12G		
22 x 250	7/8 x 10	317.322.250	Combine with:	B or C and G	12B+12G+12L		
					12C+12G		
30 x 150	1 3/16 x 6	317.330.150	Combine with:	E and H	12D+12H		
					12E+12H+12L		
30 x 225	1 3/16 x 9	317.330.220	Combine with:	E and H	12D+12H		
					12E+12H+12L		
30 x 300	1 3/16 x 12	317.330.300	Combine with:	E and H	12D+12H		

Adapter							7516	
	J	Tine Size (mm)	Tine Size (inch)	Part #			Qua	
		5	3/16	314.205.043			24	
	K	8	5/16	314.208.043			24	
Adapter							7516	
	L	Tine Size (mm)	Tine Size (inch)	Part #			Qua	
		18	3/4	2451800			12	
Multi-tine block complete WO tines							7516	
		Tine Size (mm)	Tine Size (inch)	Part #		Tines:	Qua	
		8mm (5 tines)	5/16	211.700.016	Combination of:	T-O-U-Y-Z	A1-A3-A4-A5	
		8mm (6 tines)	5/16	9990206	Combination of:	M-U	A1-A2-A3-A4-A5	
		8mm (8 tines)	5/16	9990208	Combination of:	N-U	A1-A2-A3-A4-A5	
		8mm (8 tines)	5/16	9990211	Combination of:	N-U-W	A1-A2-A3-A4-A5	6 (48 tines)
		8mm (8 tines)	5/16	314.430.209	Combination of:	P-U	A1-A2-A3-A4-A5	
		Tines:						
		A1	8 x 150	5/16 x 6	311.108.150	Solid tine		
		A2	8 x 175	5/16 x 7	9990056	Solid tine		
		A3	10 x 6 x 80	3/8 x 1/4 x 3	311.210.080	Hollow tine		
	A4	10 x 6 x 125	3/8 x 1/4 x 5	311.210.127	Hollow tine			
	A5	12 x 90	1/2 x 3 1/2	9990020	Cross tine			
Multi-tine block empty							7516	
		Tine Size (mm)	Tine Size (inch)	Part #			Qua	
	M	8mm (6 tines)	5/16	9990201				
	N	8mm (8 tines)	5/16	314.430.240			6	
	O	8mm (5 tines)	5/16	480.301.430				
	P	8mm (8 tines)	5/16	211.215.002				
Tine lock bolt							7516	
		Size (mm)		Part #			Qua	
	U	10x40		812.100.401				
		10x35		4001675			48	
Stud							7516	
		Size (mm)		Part #			Qua	
	W	23.2x50		408.230.500			12	
	X	12x60		9990212D				
Turf hold down fingers							7516	
		Part name				Part #	Qua	
		Turf hold down finger						
		Turf hold down finger MTH						
		Turf hold down finger 12mm end						
		Turf hold down finger 12mm					311.510.250	6
		Turf hold down finger 18mm						
		Turf hold down finger 24mm end						
	Turf hold down finger 24mm					311.510.252	6	
Turf hold down kit							7516	
		Part name				Part #	Qua	
		THD kit complete						
		THD kit complete MTH						
		THD kit complete 12mm					211.751.008	1
		THD kit complete 18mm						
		THD kit complete 24mm					211.751.006	1



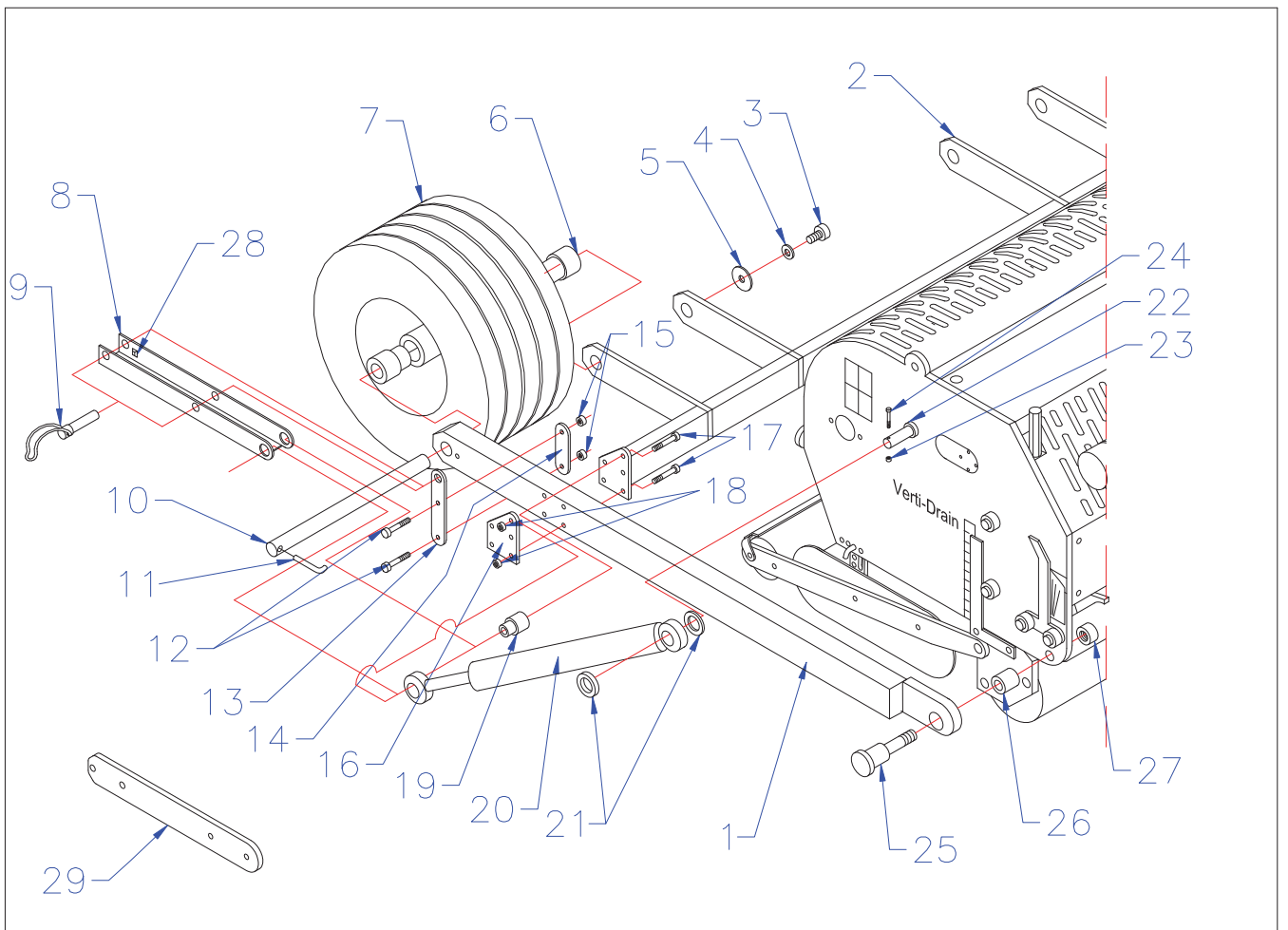


Rear roller support replacement strip



Redexim Verti-Drain 7516/7521/7526 optional wheel kit Page 14-1 Code 1626

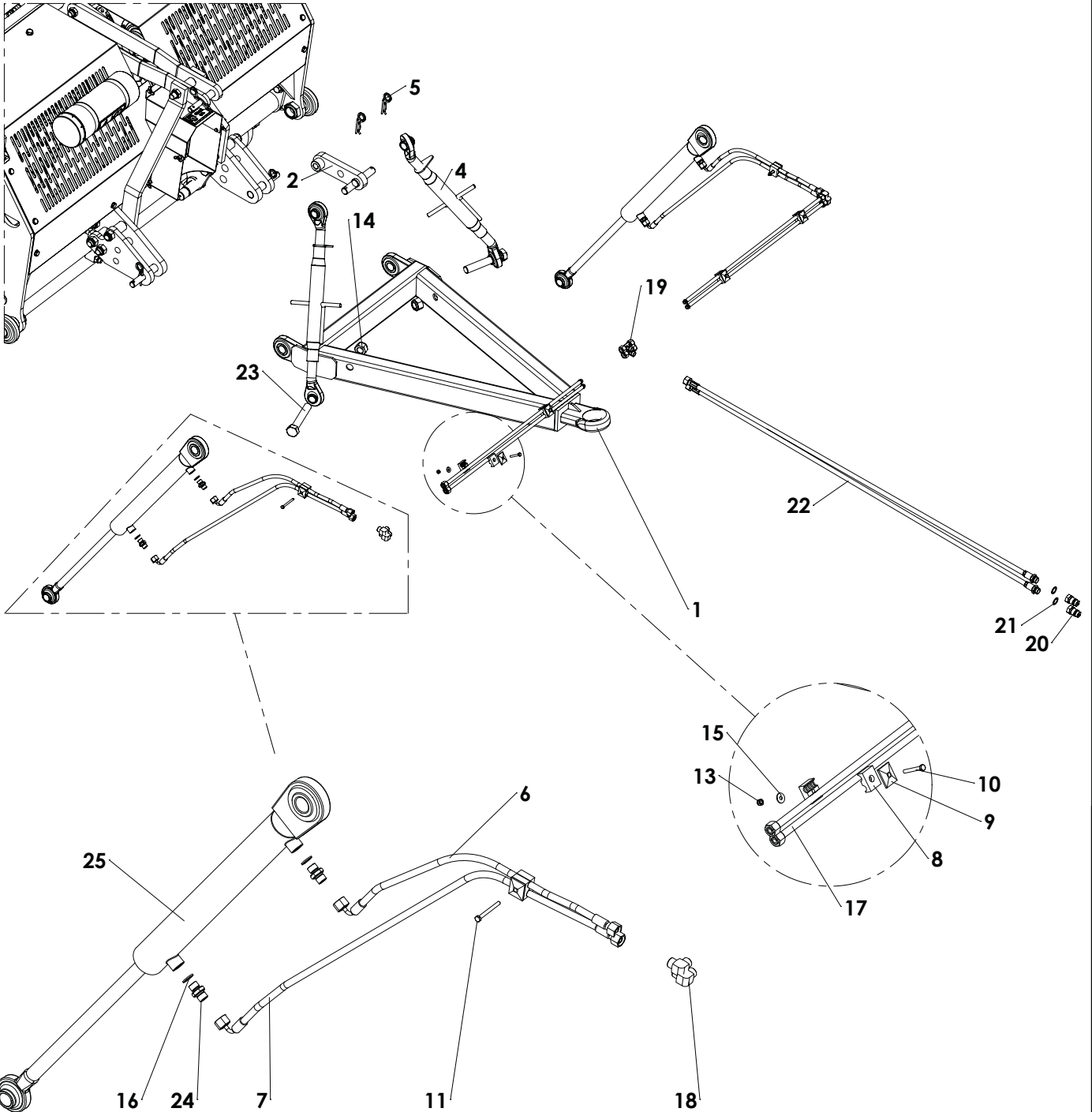
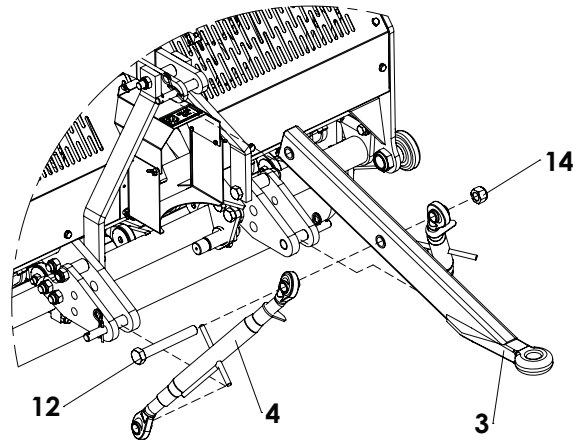
ITEM	PART NUMBER	DESCRIPTION	REMARKS	QUA VD7516	QUA VD7521	QUA VD7526
1	494.167.010	Side support		2	2	2
2	494.176.042	Rear wheel support 7516	VD 7516	1	0	0
	494.228.042	Rear wheel support 7521	VD 7521	0	1	0
	494.279.042	Rear wheel support 7526	VD 7526	0	0	1
3	468.101.680	Cylinder plate		2	2	2
4	2499186	Lock pin		2	2	2
5	511.542.236	Wheel Complete		4	4	4
6	866.120.020	Spring Washer M12 - DIN 127		2	2	2
7	804.120.300	Bolt M12 x 30 - ISO 4017		2	2	2
8	2499188	Wheel shaft		2	2	2
9	864.120.031	Large washer M12 - DIN 9021		2	2	2
10	404.250.700	Distance Bush Wheel		4	4	4
11	2611938	Distance bush		2	2	2
12	464.155.700	Second rear roller support short	Replace standaard rear roller support (464.158.200)	2	2	2
13	468.031.370	Strip 30x3 L=137		2	2	2
14	577.016.185	Hook up plate 75H lock		2	2	2
15	404.210.970	Cylinder bush		2	2	2
16	468.151.702	Bridge plate		2	2	2
17	406.210.850	Distance bush Ø35/Ø20.5 L=85		4	4	4
18	830.200.200	Self Lock Nut M20 Din 985 h=17		6	6	6
19	864.200.041	Large washer M20 - DIN 9021		2	2	2
20	416.381.250	Pivot shaft		2	2	2
21	406.380.250	Distance bush Ø50/Ø37.7 L=25		2	2	2
22	802.161.000	Bolt M16 x 100 - ISO 4014		10	10	10
23	830.160.160	Self Lock Nut M16-ISO 10511 Class 10		10	10	10
24	830.060.060	Self Lock Nut M6 - ISO 10511		4	4	4
25	802.060.700	Bolt M6 x 70 - ISO 4014		4	4	4
26	523.100.700	Pipe linch pin Ø10		2	2	2
27	802.201.400	Bolt M20 x 140 - ISO 4014		6	6	6
28	572.080.200	Self adhesive buffer		6	6	6
29	468.045.100	Lock beam 75 H models		1		
30	4129210	Nut M35x1.5		2	2	2
	211.751.600	Complete boggy kit 7516				
	211.752.104	Complete boggy kit 7521				
	211.752.600	Complete boggy kit 7526				



Redexim-Charterhouse Verti-Drain 7516/7521/7526 Wheel kit page 14 code 0920

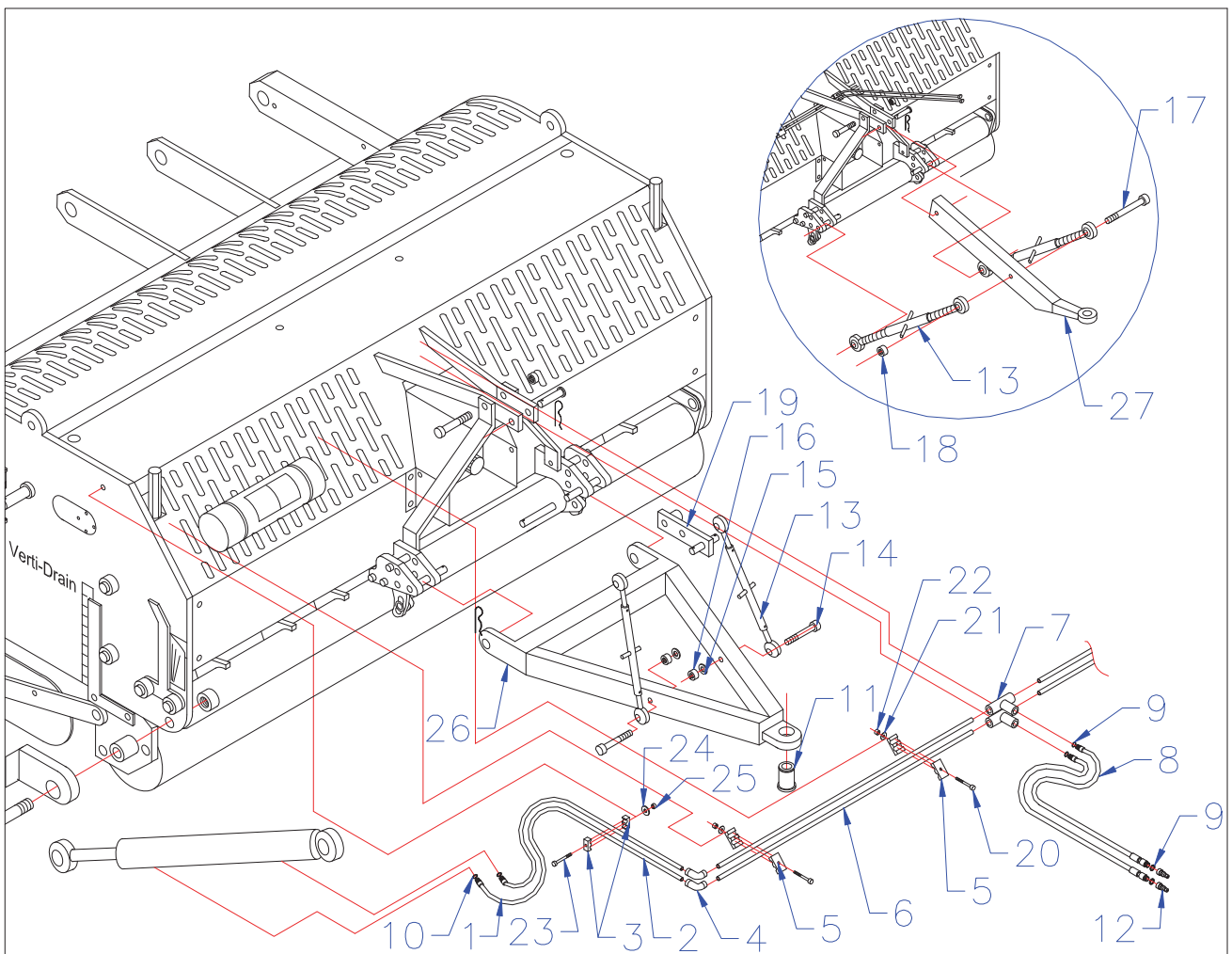
	PART# 7516	PART# 7521	PART# 7526	DESCRIPTION	REMARKS	QUA
1	2283292	Same	Same	Side support		2
2	2283280	2283282	2283284	Rear wheel support		1
3	802.120.300	Same	Same	Bolt M12 x 30		2
4	866.120.020	Same	Same	Spring washer M12		2
5	864.120.030	Same	Same	Washer M12		2
6	2611934	Same	Same	Distance bush wheel		8
7	511.542.236	Same	Same	Wheel		4
8	468.045.100	Same	Same	Lock beam 75 H models		2
9	523.100.700	Same	Same	Pipe linch pin		2
10	2499188	Same	Same	Wheel shaft		2
11	2499186	Same	Same	Lock pin		2
12	802.060.700	Same	Same	Bolt M6 x 70		4
13	577.016.185	Same	Same	Hook up plate 75 H lock		2
14	468.031.370	Same	Same	Mount plate 75 H lock		2
15	830.060.060	Same	Same	Self lock nut M6		4
16	2283286	Same	Same	Lock Plate		2
17	802.161.000	Same	Same	Bolt M16 x 100		10
18	830.160.160	Same	Same	Self lock nut M16		10
19	2611938	Same	Same	Distance bush cylinder		2
20	1811312	Same	Same	Cylinder		2
21	864.300.055	Same	Same	Washer M30		8
22	2490888	Same	Same	Three point link pin		3
23	830.100.100	Same	Same	Self lock nut M10		2
24	802.100.400	Same	Same	Bolt M10 x 40		2
25	2499184	Same	Same	Pin		2
26	2611936	Same	Same	Bush		2
27	830.220.220	Same	Same	Self lock nut M22		2
28	572.080.200	Same	Same	Self adhesive buffer		8
29	464.155.700	Same	Same	Second rear roller supp. short		2

Optional top-drawbar



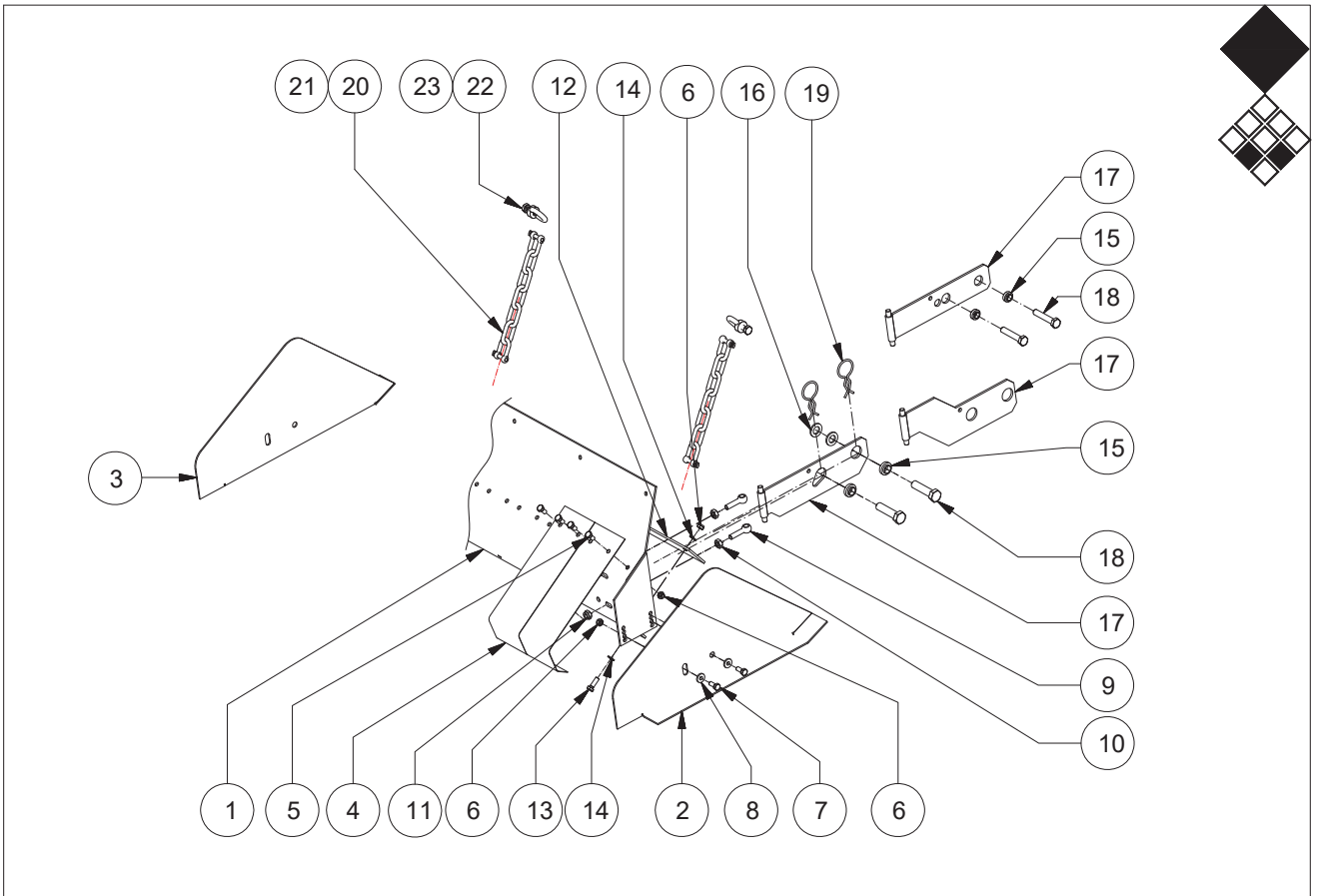
Redexim Verti-Drain 7516/7521/7526 optional wheel kit Page 15-1 Code 2134

ITEM	PART NUMBER	DESCRIPTION	REMARKS	QUA VD7516	QUA VD7521	QUA VD7526
1	2283288	Draw bar	VD 7516	1	0	0
	2283290	Draw bar	VD 7521 + VD 7526	0	1	1
2	2283294	Top link support		1	1	1
3	462.101.070	Top draw bar	Optional	1	1	1
4	522.256.200	Toplink Cat. 1 L0=555 Stroke=200 UNC 1 1/4"		2	2	2
5	523.051.000	R-clip Round 5, DIN 11024		2	2	2
6	541.130.680	Hose NSK 6 (1/4") TL=680 PF6690 + PGLO618		2	2	2
7	541.131.090	Hose NSK 6 (1/4") TL=1135 PF6690 + PGLO618		2	2	2
8	547.120.120	Hose clamp double 12mm		12	12	12
9	547.300.340	Cover plate hose clamp 2x10 - 2x12		6	6	6
10	802.060.450	Bolt M6 x 45 - ISO 4014		4	4	4
11	802.060.600	Bolt M6 x 60 - ISO 4014		2	2	2
12	808.010.070	Hex Bolt 1"-8x7.5" UNC - ANSI B18.2.1	Optional	1	1	1
13	830.060.060	Self Lock Nut M6 - ISO 10511		6	6	6
14	838.010.220	Self Lock Nut 1 inch UNC - DIN 985	Optional for top-drawbar	2 (1)	2 (1)	2 (1)
15	864.060.031	Large washer M6 - DIN 9021		4	4	4
16	874.170.020	Copper washer 3_8		4	4	4
17	542.120.815	Tube for boggy 7516	VD 7516	4	0	0
	542.121.070	Tube 12mm 2xM18 L1070	VD 7521	0	4	0
	542.121.329	Tube 12mm 2xM18 L1330	VD 7526	0	0	4
18	544.120.360	90 degree connector 12L-M18		4	4	4
19	544.124.125	T-Connector 12x12x12		2	2	2
20	545.210.800	Quick connector male 1/2"		2	2	2
21	874.210.020	Copper washer 1_2		2	2	2
22	541.172.510	Main hose 75 serie		2	2	2
23	808.010.060	Hex Bolt 1"-8x6" UNC - ANSI B18.2.1		2	2	2
24	543.170.170	Nipple BSP 3_8" x 3_8" 60deg		4	4	4
25	1811312	Cylinder 50/25 Lo=685 stroke=400		2	2	2



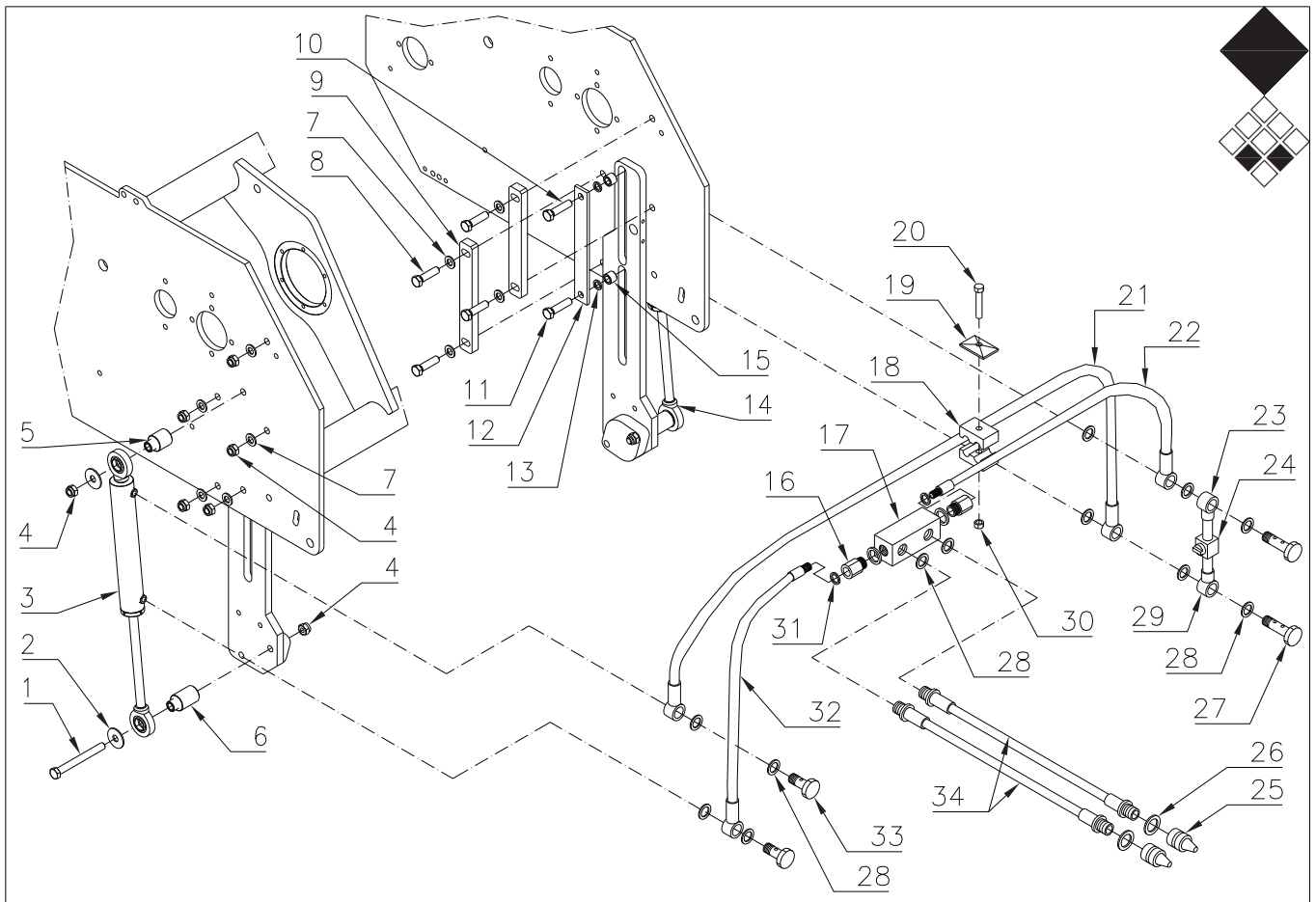
**Redexim-Charterhouse Verti-Drain 7516/7521/7526 page 15 code 1444
Hydraulics & draw rod**

	PART# 7516	PART# 7521	PART# 7526	DESCRIPTION	REMARKS	QUA
1	541.131.090	Same	Same	Hose long 1/4"		2
2	541.130.680	Same	Same	Hose short 1/4"		2
3	547.150.150	Same	Same	Clamp set 15 mm		2
4	544.120.360	Same	Same	90 degrees connector		4
5	547.120.120	Same	Same	Clamp set 12 mm		4
6	542.120.815	542.121.070	542.121.329	Tube 12 mm		4
7	544.124.125	Same	Same	T-connector 12x12x12		2
8	541.172.510	Same	Same	Hose 3/8"		2
9	874.170.020	Same	Same	Copper washer 3/8"		4
10	874.210.020	Same	Same	Copper washer 1/2"		2
11	404.320.550	Same	Same	Pivot bush draw bar		1
12	545.210.800	Same	Same	Quick connector male G 1/2"		2
13	522.256.200	Same	Same	Top link special		2
14	808.010.050	Same	Same	Bolt 1" x 5" UNF		2
15	866.010.050	Same	Same	Spring washer 1"		2
16	838.010.140	Same	Same	Low Nut 1" UNF		2
17	808.010.070	Same	Same	Bolt 1" x 7" UNC		1
18	838.010.220	Same	Same	Nut 1" UNC		1
19	2283294	Same	Same	Top link support		1
20	802.060.450	Same	Same	Bolt M6 x 45		4
21	864.060.021	Same	Same	Large washer M6 x 40		4
22	830.060.060	Same	Same	Self lock nut M6		4
23	802.080.055	Same	Same	Bolt M8 x 55		2
24	864.080.031	Same	Same	Large washer M8 x 35		2
25	830.080.080	Same	Same	Self lock nut M8		2
26	2283288	2283290	2283290	Draw bar		1
27	462.101.070	Same	Same	Top draw bar		1
28	543.170.170	Same	Same	Nipple 3/8" x 3/8"		4



Redexim-Charterhouse Verti-Drain Core Collector pag 17 code 0638

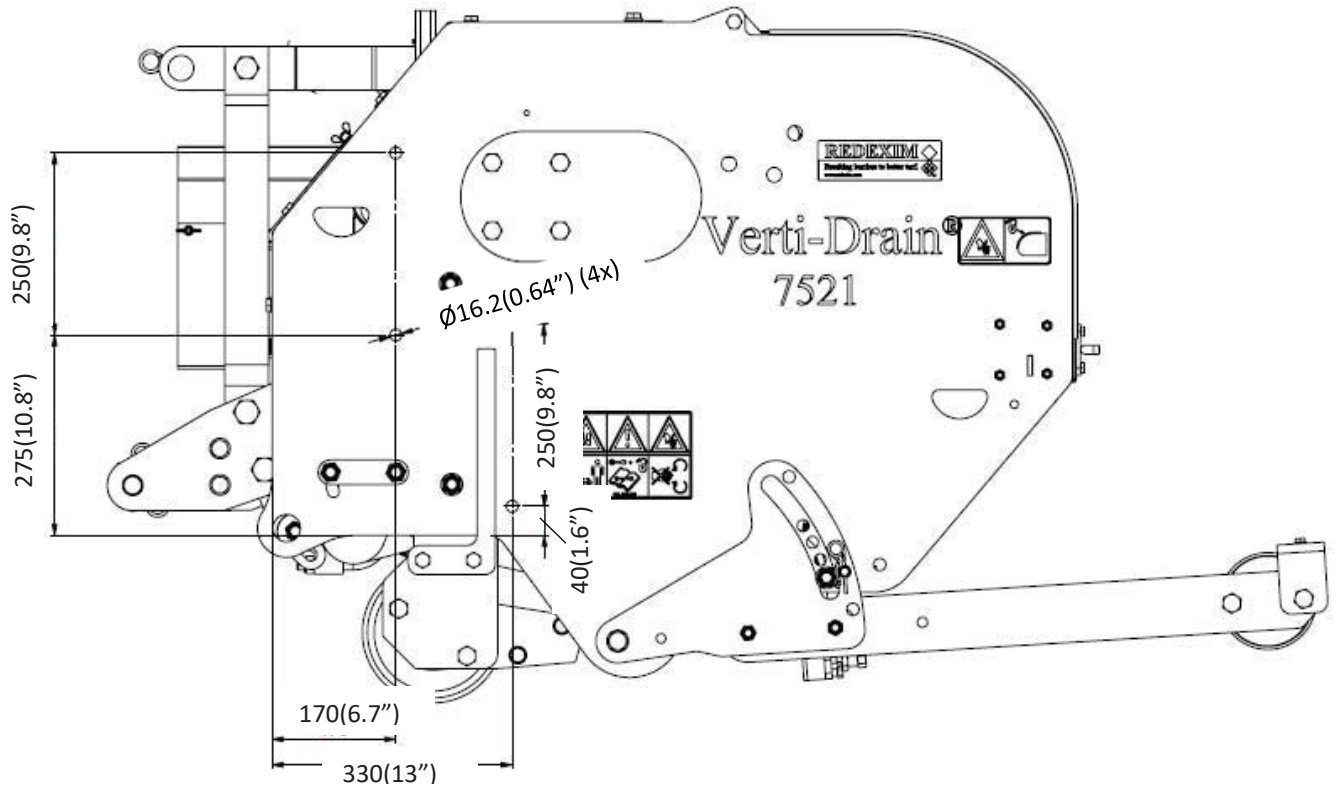
	PART # 7316 / 7416 / 7516	PART # 7215	PART # 7212	PART # 7113	PART # 7117	DESCRIPTION	QUA
1	470.049.182	470.049.182	470.049.156	470.049.182	470.049.202	Frame beam	1 / 1 / 1 / 1
2	468.035.420	same	same	same	same	Right side plate	1 / 1 / 1 / 1
3	468.035.422	same	same	same	same	Left side plate	1 / 1 / 1 / 1
4	468.013.100	same	same	same	same	Blade spring	18 / 18 / 15 / 20
5	804.080.160	same	same	same	same	Bolt M8 x 16	36 / 36 / 30 / 40
6	830.080.080	same	same	same	same	Nut M8	49 / 49 / 43 / 53
7	804.080.200	same	same	same	same	Bolt M8 x 20	4 / 4 / 4 / 4
8	404.080.700	same	same	same	same	Distance bush D=8mm h=6.5mm	4 / 4 / 4 / 4
9	822.100.400	same	same	same	same	Eye bolt	4 / 4 / 4 / 4
10	826.100.100	same	same	same	same	Nut M10	4 / 4 / 4 / 4
11	830.100.100	same	same	same	same	Self locking nut M10	4 / 4 / 4 / 4
12	446.049.181	446.049.181	446.049.151	446.049.181	446.049.201	Rubber strip	1 / 1 / 1 / 1
13	804.080.250	same	same	same	same	Bolt M8 x 25	9 / 9 / 9 / 9
14	864.060.030	same	same	same	same	Washer M8	18 / 18 / 18 / 18
15	404.160.100	404.120.100	404.120.100	404.160.100	404.160.100	Distance bush	4 / 4 / 4 / 4
16	864.160.030	864.120.030	864.120.030	864.160.030	864.160.030	Washer	4 / 4 / 4 / 4
17	470.052.950	470.052.800	470.052.800	470.053.000	470.053.000	Support arm	2 / 2 / 2 / 2
18	802.160.650	802.120.650	802.120.650	802.160.650	802.160.650	Bolt M16x65	4 / 4 / 4 / 4
19	523.030.752	same	same	same	same	Special R-Clip d=3	4 / 4 / 4 / 4
20	846.064.300	same	same	same	same	Chain d=5mm, 0.5mtr	2 / 2 / 2 / 2
21	846.080.241	same	same	same	same	D-shakle M8	4 / 4 / 4 / 4
22	822.100.360	same	same	same	same	Eye nut M10	2 / 2 / 2 / 2
23	802.100.300	same	same	same	same	Bolt M10 x 30	2 / 2 / 2 / 2
24							
25							
26							
27							
28							
29							
30							
31							
32							
33							
34							
35							
36							
37							
38							
39							
40							

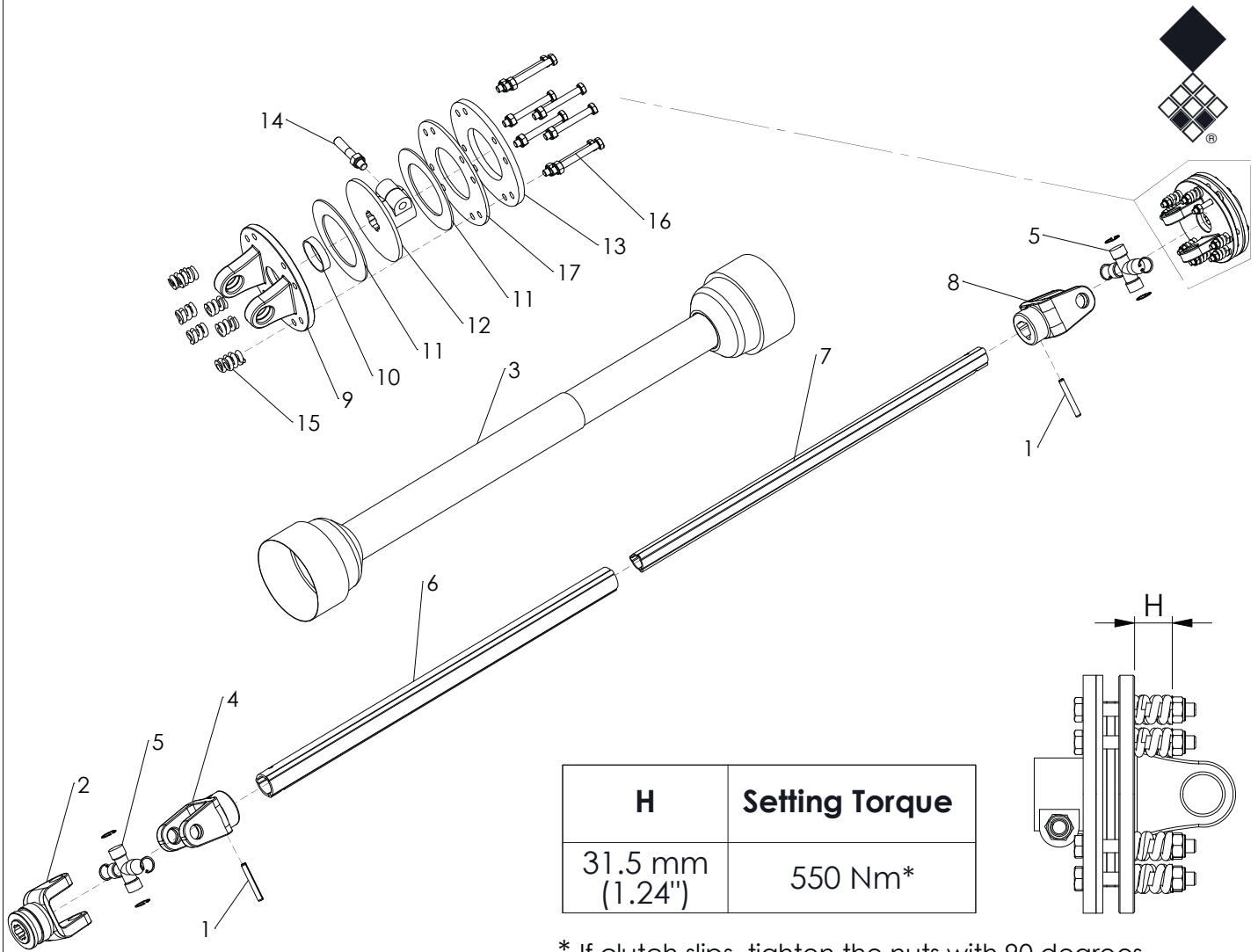


Redexim-Charterhouse Verti-Drain 7516 pag 18 code 0950

	PART #	DESCRIPTION	REMARKS	QUA
1	802.161.500	Bolt M16 x 150		002
2	864.160.031	Large washer M16		004
3	534.402.450	Cylinder for depth adjustment right 40/22/245		001
	534.402.450sae	Seal kit for 534.402.450		001
4	830.160.160	Self lock nut M16		014
5	404.170.600	Distance bush cylinder		002
6	404.170.520	Distance bush support		002
7	864.160.030	Washer M16		018
8	804.160.600	Bolt M16 x 60		008
9	464.203.000	Slide guide		004
10	802.161.300	Bolt M16 x 130		002
11	804.160.650	Bolt M16 x 65		002
12	464.083.150	Slide strip		002
13	864.160.030	Washer M16		004
14	534.452.450	Cylinder for depth adjustment left 45/22/245		001
	534.452.450sae	Seal kit for 534.452.450		001
15	402.160.190	Slide bush	Original part, does not need to be replaced	004
16	543.130.420	Extension nipple		002
17	535.401.000	Pressure controlled one way valve		001
18	547.150.150	Hose clamp 2x15mm		008
19	547.070.510	Cover plate		004
20	802.080.450	Bolt M8 x 45		004
21	541.133.002	Hose between cylinders		001
22	541.131.602	Hose on left cylinder		001
23	542.101.200	Top tube left cylinder		001
24	546.250.750	Ball valve		001
25	545.210.800	Quick connector male 1/2"		002
26	874.210.020	Copper washer 1/2"		002
27	543.130.430	Hollow bolt left cylinder		002
28	874.130.020	Copper washer 1/4"		016
29	542.100.950	Bottom tube left cylinder		001
30	830.080.080	Self lock nut M8		004
31				
32	541.131.352	Hose on right cylinder		001
33	543.130.250	Hollow bolt right cylinder		002
34	541.131.950	Hose to tractor		002
	211.751.018	Complete hydraulic adjustment set		

Drill template for hydraulic adjustment kit



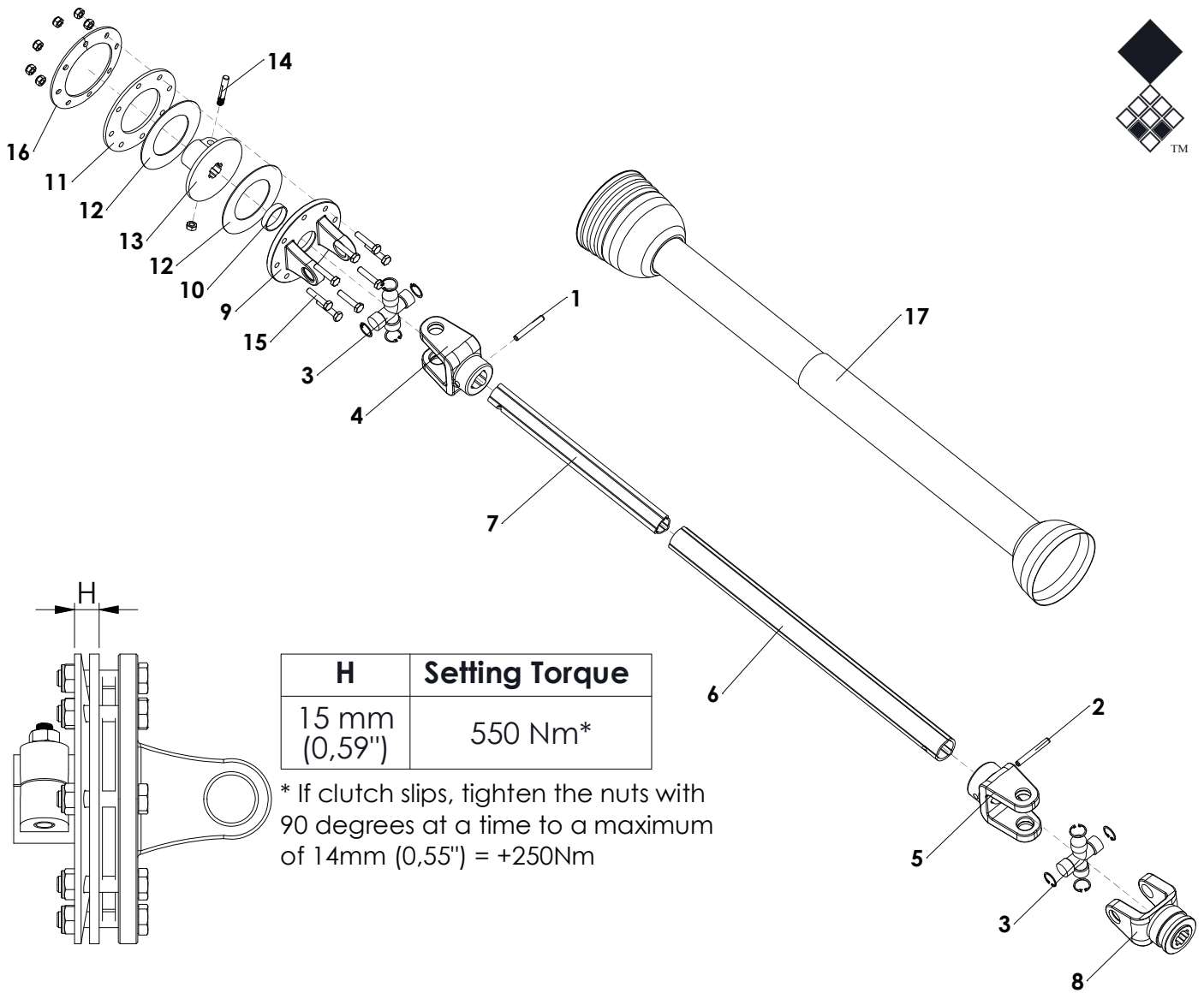


H	Setting Torque
31.5 mm (1.24")	550 Nm*

* If clutch slips, tighten the nuts with 90 degrees at a time to a maximum of 30.5mm (1.20") = +200Nm

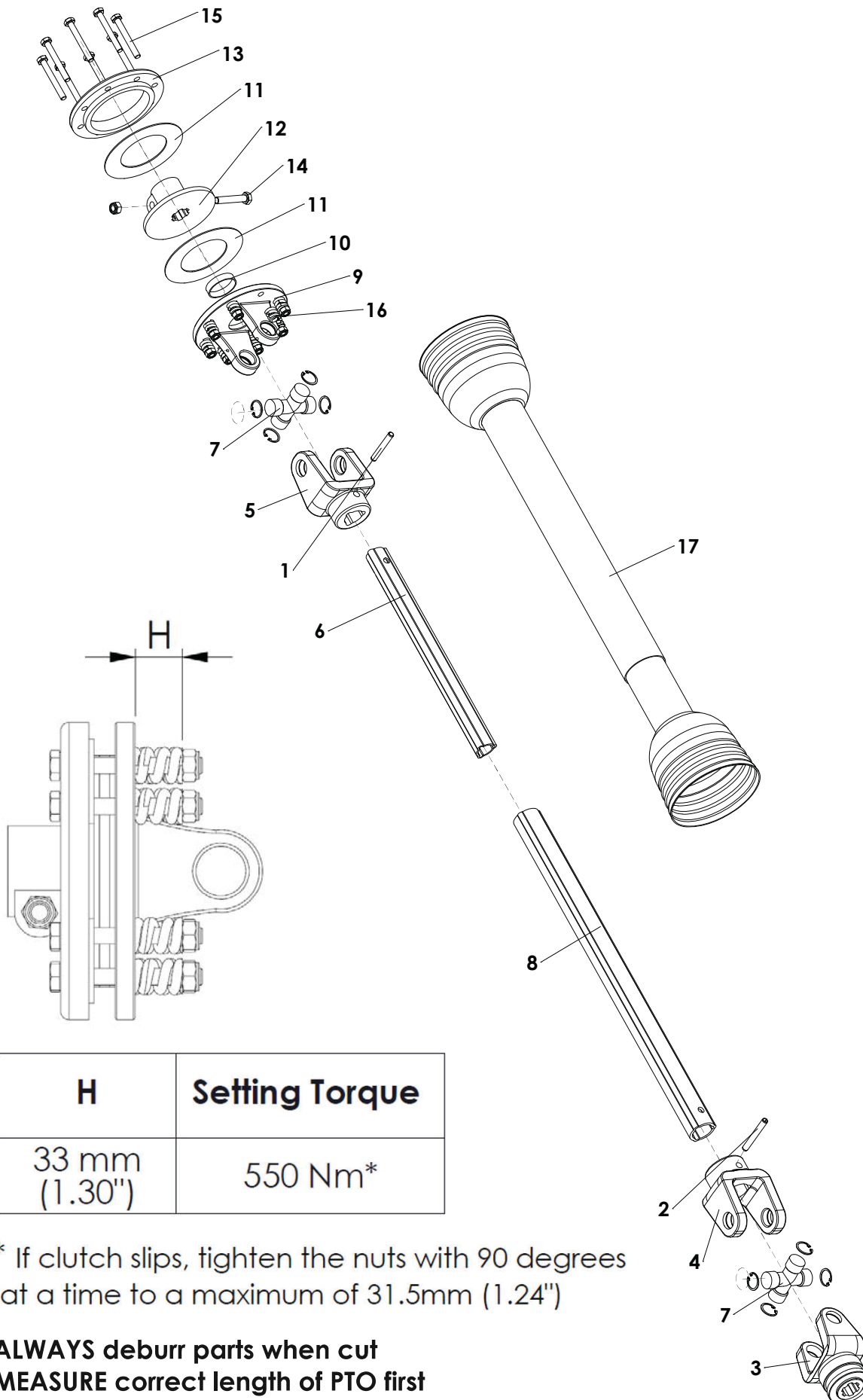
ALWAYS deburr parts when cut
MEASURE correct length of PTO first
MAINTAIN slipclutch every month
NEVER USE PTO over 30 degrees
SLIPCLUTCH always on machine side

ITEM	PART NUMBER	DESCRIPTION	REMARKS	QUA
1	19000018	Outer roll pin		2
2	BEN PT140119	End yoke with quick lock		1
3	BEN PT143249	Safety guard group	Cut to correct length	1
4	BEN PT143666	Outer tube yoke		1
5	BEN PT151242	Universal joint assembled		2
6	BEN PT154926	Tubing cut to size	Cut to correct length	1
7	BEN PT157727	Tubing cut to size	Cut to correct length	1
8	BEN PT158836	Inner tube yoke		1
9	BEN F1B06	Flange yoke		1
10	BEN F060	Bush		1
11	BEN F030/S	Lining ring		2
12	BEN F138	Hub		1
13	BEN F1180	Pressure plate		1
14	BEN 90938	Conic bolt and nut		1
15	BEN F0110	Spring		8
16	BEN F10085	Bolt and nut		8
17	BEN F070	Inner plate		1
	611.601.200	PTO shaft type T-60 tl 1200		
	611.606.100	PTO shaft type T-60 tl 610		



ALWAYS deburr parts when cut
MEASURE correct length of PTO first
MAINTAIN slipclutch every month
NEVER USE PTO over 30 degrees
SLIPCLUTCH always on machine side

ITEM	PART NUMBER	DESCRIPTION	REMARKS	QUA
1	19000016	Inner roll pin		1
2	19000018	Outer roll pin		1
3	180016130	Cross and 4x circlip kit		2
4	1510160291	Inner tube yoke type 60		1
5	1510160281	Outer tube yoke type 60		1
6	1521604610700	T60-series Outer tube	Cut to correct length	1
7	153150334	T60-series Inner tube	Cut to correct length	1
8	1410265441	Complete collar yoke type 60		1
9	1510168091	Flanged yoke T60		1
10	180015020	Bush		1
11	180017569	Pressure plate		1
12	180015019	Lining ring		2
13	1510169321	Hub T60		1
14	165000588	Tapered Pin 1 3/8" kit	Retighten every 40 hours	1
15	165000858	Bolt & nut M10 x 1,5 x 50		8
16	180017426	Belleville spring		1
17	1423600167651	Complete guard 60-series	Cut to correct length	1
	600610	Complete PTO T60		
	601010	Complete PTO T60		



H	Setting Torque
33 mm (1.30")	550 Nm*

* If clutch slips, tighten the nuts with 90 degrees at a time to a maximum of 31.5mm (1.24")

ALWAYS deburr parts when cut
MEASURE correct length of PTO first
MAINTAIN slipclutch every month
NEVER USE PTO over 30 degrees
SLIPCLUTCH always on machine side

ITEM	PART NUMBER	DESCRIPTION	REMARKS	QUA
1	190000016	Inner roll pin		1
2	190000018	Outer roll pin		1
3	141026108	Complete collar yoke type 60		1
4	151016028	Outer tube yoke type 60		1
5	151016029	Inner tube yoke type 60		1
6	153160150	T60-series Inner tube		1
7	180016130	Cross and 4x circlip kit		2
8	152160475	T60-series Outer tube		1
9	151016039	Flanged yoke T60		1
10	180015020	Bush		1
11	180015019	Lining ring		2
12	151015018	Hub T60		1
13	180015021	Pressure plate		1
14	165000502	Bolt and Nut	Retighten every 40 hours	1
15	165000501	Bolt and nut		8
16	180014022	Spring		8
17	1422602987630	Complete guard 60-series	Cut to correct length	1
	600610	Complete PTO		
		ALWAYS deburr parts when cut		
		MEASURE correct length of PTO first		
		MAINTAIN slipclutch every month		
		NEVER USE PTO over 30 degrees angle		
		SLIPCLUTCH always on machine side		