

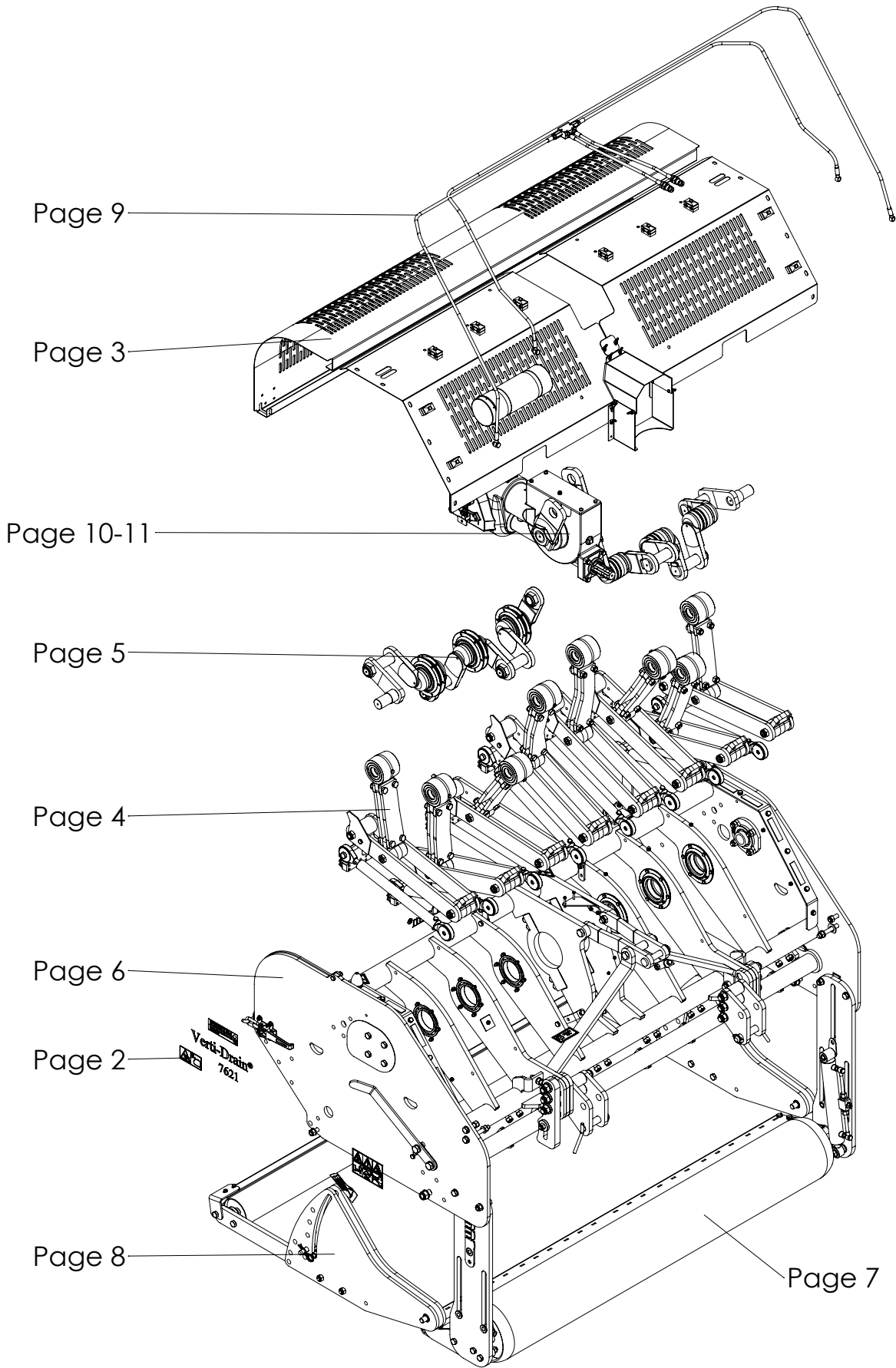
VERTI-DRAIN 7621



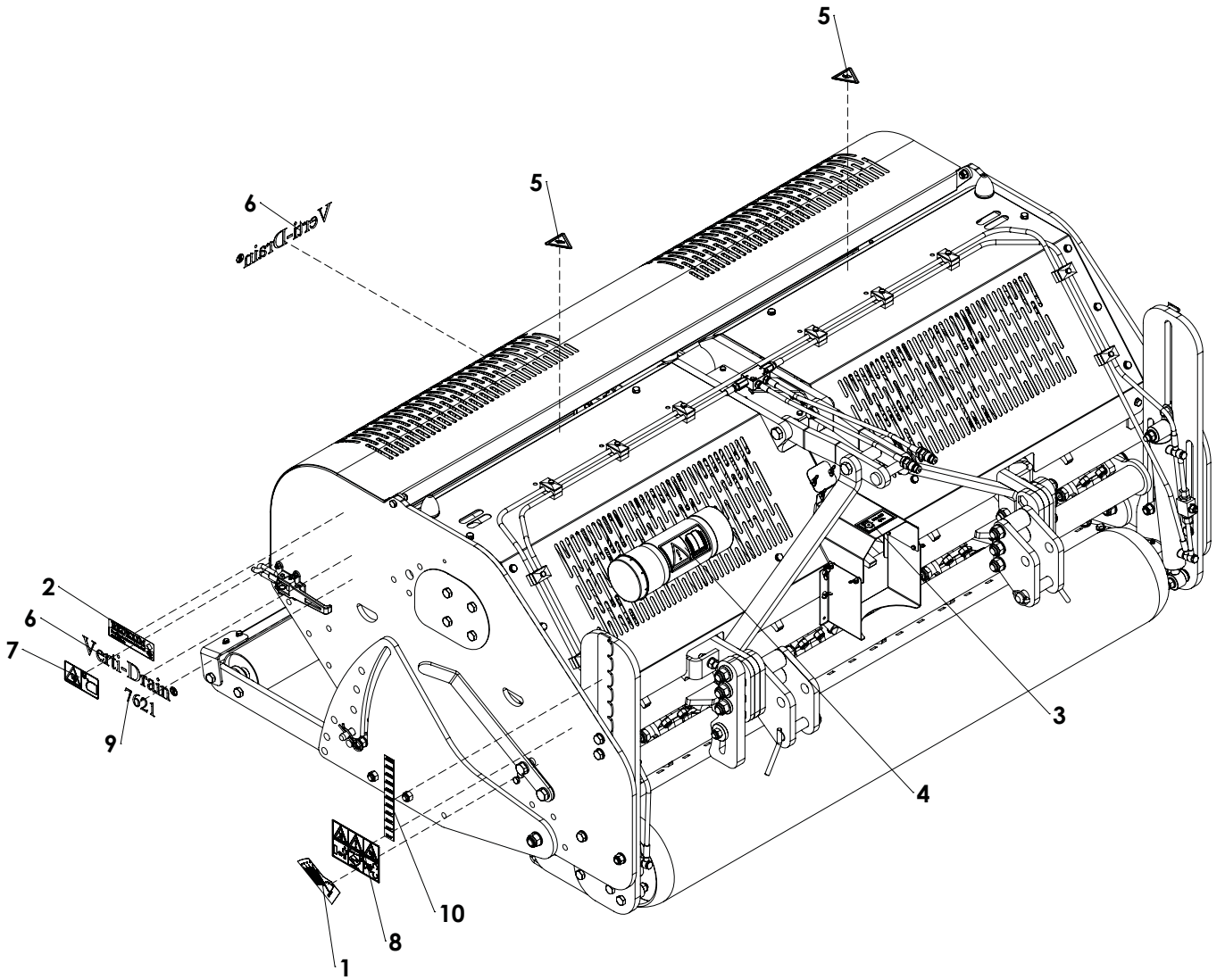
Version: 2136



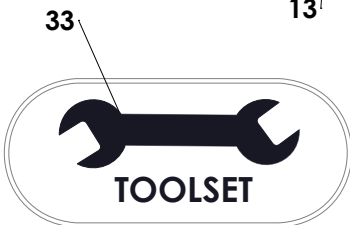
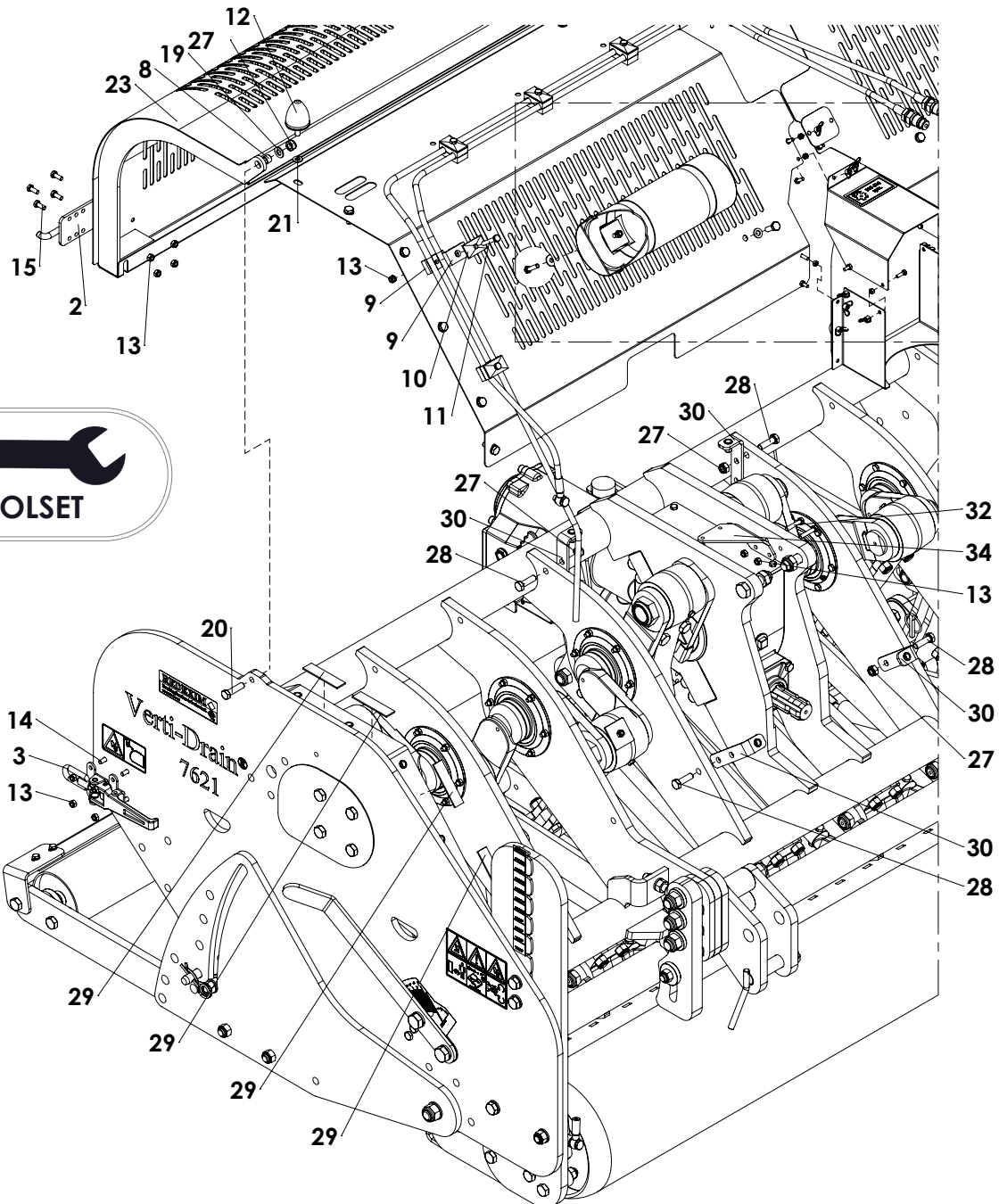
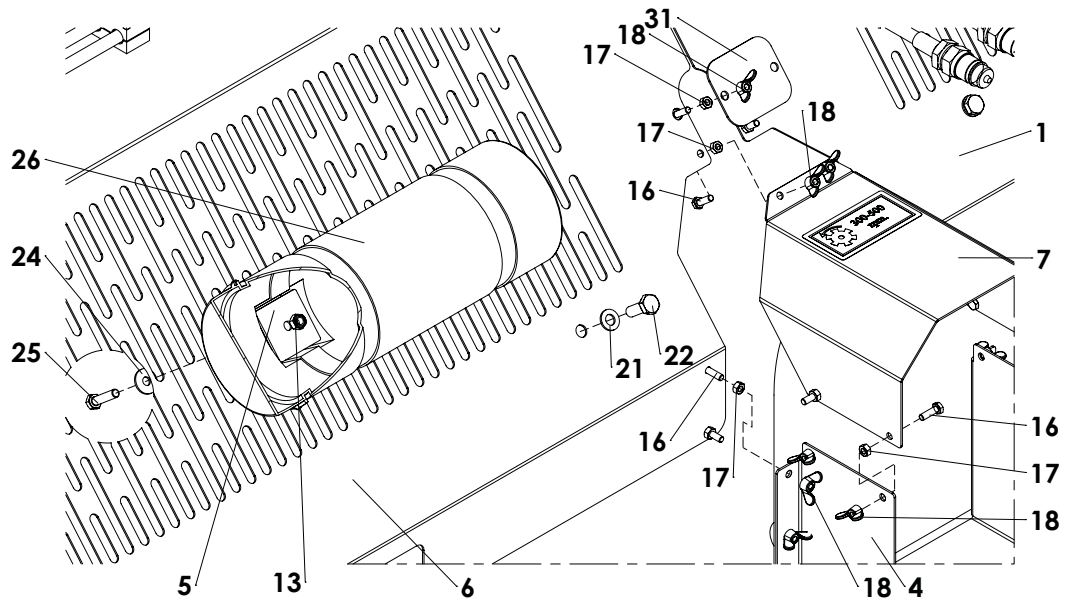
Kwekerijweg 8 | 3709JA | Zeist | The Netherlands |
T: +31 (0)306 933 227
E: redexim@redexim.com
W: www.redexim.com



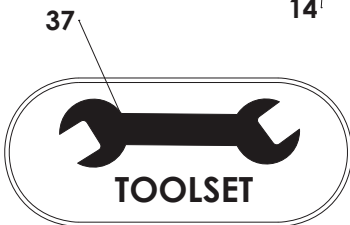
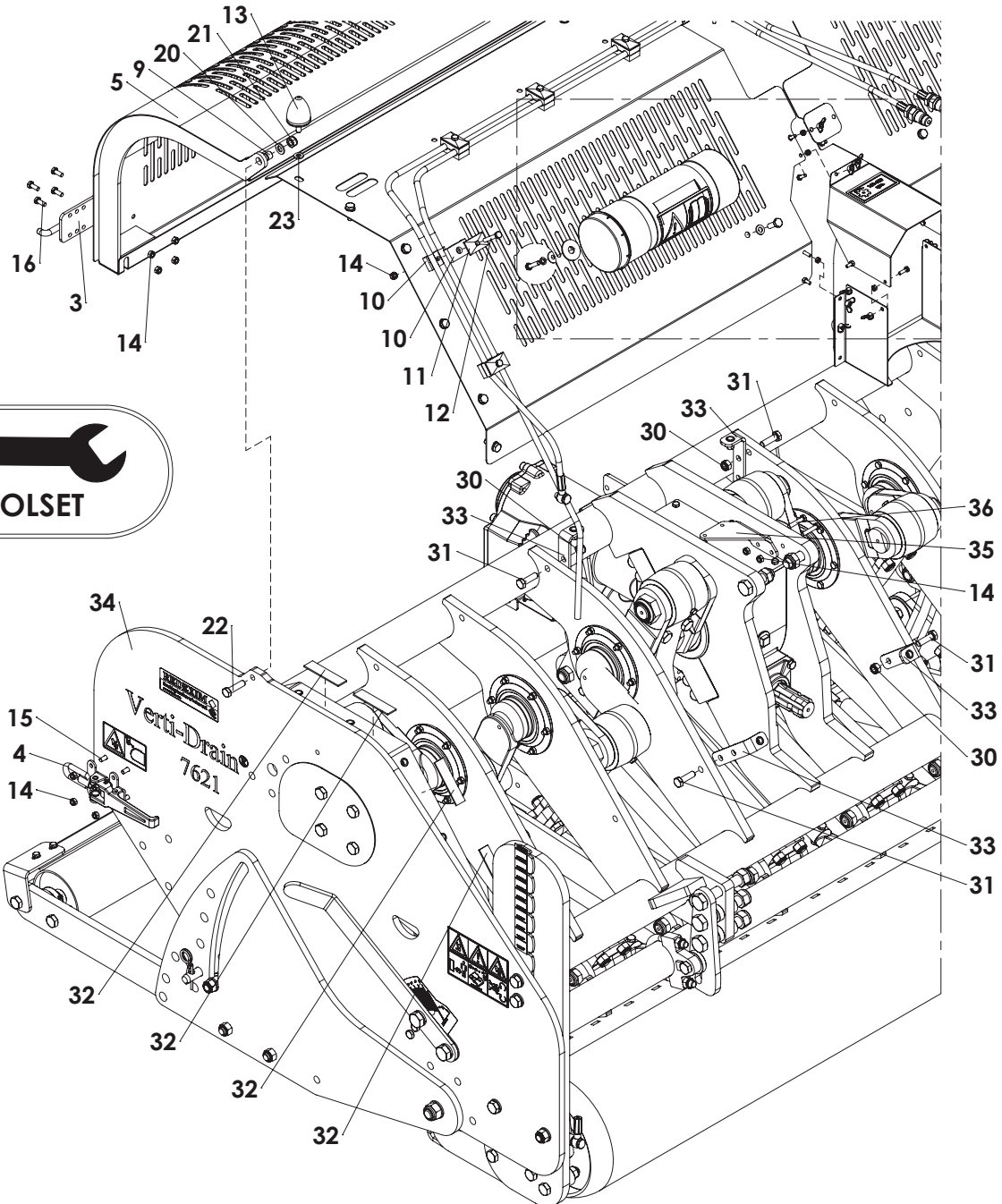
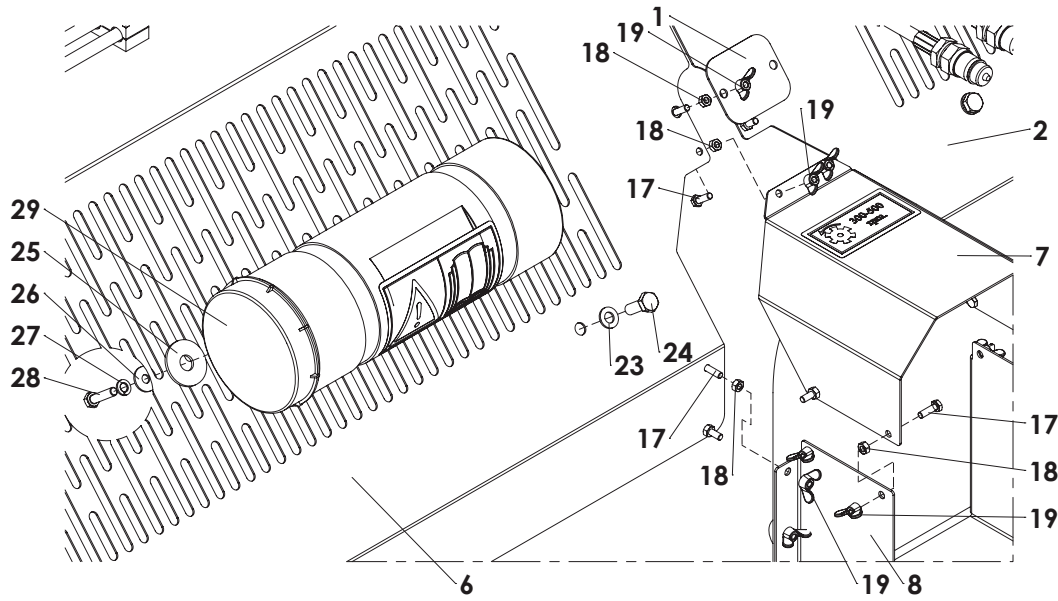
Page 12: PTO
Page 13: Tines, adapters and turf hold down kits
Page 14: Optional wheel kit



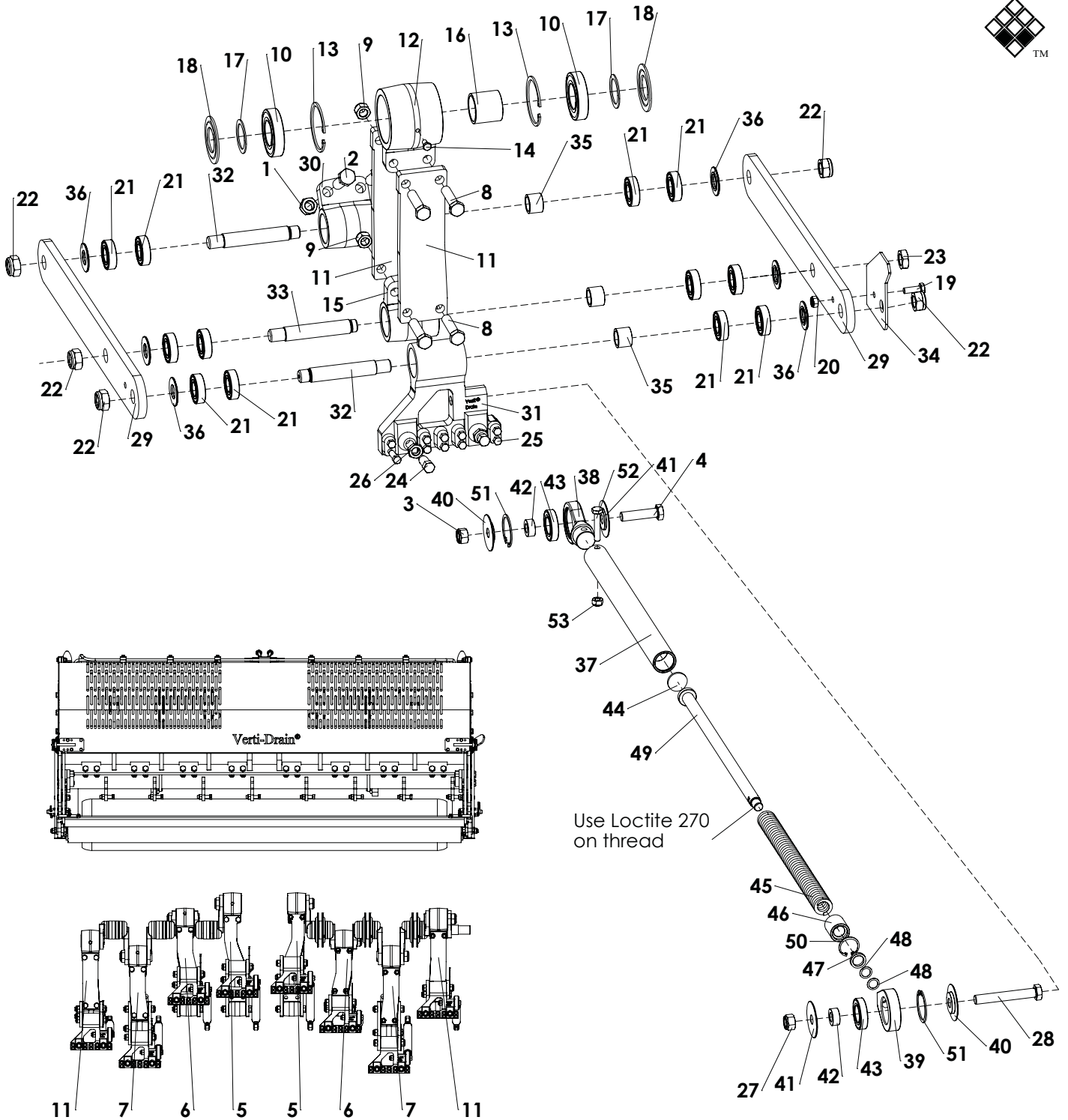
ITEM	PART NUMBER	DESCRIPTION	REMARKS	QUA
1	911.260.404	Angle setting label VD		1
2	900.260.403	Logo Label		2
3	900.260.420	Decall PTO 300 500		1
4	900.280.402	Safety decall manual		1
5	900.280.404	Decall cut off fingers		2
6	911.260.402	Decall Verti-drain		3
7	911.280.404	Decall close cover		2
8	911.280.402	Safety Decall Verti-Drain		2
9	911.260.431	Label 7621		2
10	900.260.412	Heigth label 150-400		2



ITEM	PART NUMBER	DESCRIPTION	REMARKS	QUA
1	456.029.110	Front cover left 7621		1
2	470.061.710	Lock plate		2
3	590.342.700	Clamp		2
4	2282350	Bottom PTO Protection		1
5	468.030.530	Toolbox contraplate		2
6	456.029.108	Front cover right 7621		1
7	2281782	TOP PTO protection cover		1
8	402.120.120	Distance bush		2
9	547.150.150	Hose clamp double 15mm		20
10	547.300.510	Cover plate hose clamp 2x15 - 2x18		10
11	802.080.500	Bolt M8 x 50 - ISO 4014		10
12	464.100.600	Rubber stop 50x58 M10		2
13	830.080.080	Self Lock Nut M8 - ISO 10511		30
14	816.080.300	Bolt M8 x 30 - DIN 7991		8
15	804.080.200	Bolt M8 x 20 - ISO 4017		8
16	804.060.200	Bolt M6 x 20 - ISO 4017		12
17	826.060.060	Nut M6 - DIN 934		12
18	844.060.060	Winged nut		12
19	864.120.030	Washer M12 - ISO 7089		2
20	802.120.450	Bolt M12 x 45 ISO 4014		2
21	864.100.030	Washer M10 - ISO 7089		16
22	804.100.300	Bolt M10 x 30 - ISO 4017		14
23	456.218.048	Rear cover VD7521-7621		1
24	864.080.024	Large washer M8 - DIN 9021		2
25	804.080.350	Bolt M8 x 35 - ISO 4017		2
26	444.803.100	Toolbox Complete		1
27	830.120.120	Self Lock Nut M12 - ISO 10511		6
28	804.120.400	Bolt M12 x 40 - ISO 4017		4
29	599.031.000	Foam rubber L=100		8
30	464.061.370	Cover support		4
31	468.020.750	Cover		1
32	802.080.400	Bolt M8 x 40 - ISO 4014		2
33	468.083.060	Set of tools		1
34	464.051.620	Bracket		1

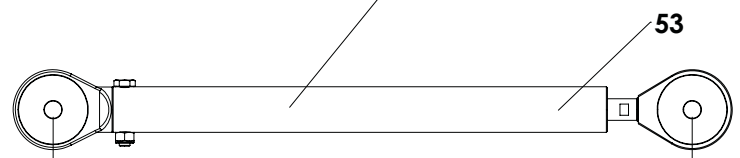


ITEM	PART NUMBER	DESCRIPTION	REMARKS	QUA
1	468.020.750	Cover		1
2	456.029.106	Front cover left 7621		1
3	470.061.710	Lock plate		2
4	590.342.700	Clamp		2
5	456.218.048	Rear cover VD7521-7621		1
6	456.029.104	Front cover right 7621		1
7	2281782	TOP PTO protection cover		1
8	2282350	Bottom PTO Protection		1
9	402.120.120	Distance bush		2
10	547.150.150	Hose clamp double 15mm		20
11	547.300.510	Cover plate hose clamp 2x15 - 2x18		10
12	802.080.500	Bolt M8 x 50 - ISO 4014		10
13	464.100.600	Rubber stop 50x58 M10		2
14	830.080.080	Self Lock Nut M8 - ISO 10511		28
15	816.080.300	Bolt M8 x 30 - DIN 7991		8
16	804.080.200	Bolt M8 x 20 - ISO 4017		8
17	804.060.200	Bolt M6 x 20 - ISO 4017		12
18	826.060.060	Nut M6 - DIN 934		12
19	844.060.060	Winged nut		12
20	864.120.030	Washer M12 - ISO 7089		2
21	830.120.120	Self Lock Nut M12 - ISO 10511		2
22	802.120.450	Bolt M12 x 45 - ISO 4014		2
23	864.100.030	Washer M10 - ISO 7089		20
24	804.100.300	Bolt M10 x 30 - ISO 4017		14
25	864.140.031	Large washer M14 - DIN 9021		2
26	864.080.024	Large washer M8 - DIN 9021		2
27	866.080.020	Spring Washer M8 - DIN 127		2
28	804.080.350	Bolt M8 x 35 - ISO 4017		2
29	444.803.100	Toolbox Complete		1
30	830.120.120	Self Lock Nut M12 - ISO 10511		4
31	804.120.400	Bolt M12 x 40 - ISO 4017		4
32	599.031.000	Foam rubber L=100		8
33	464.061.370	Cover support		4
34	494.210.136	Main frame 7621		1
35	464.051.620	Bracket		1
36	802.080.400	Bolt M8 x 40 - ISO 4014		2
37	468.083.060	Set of tools		



Use Loctite 270 on thread

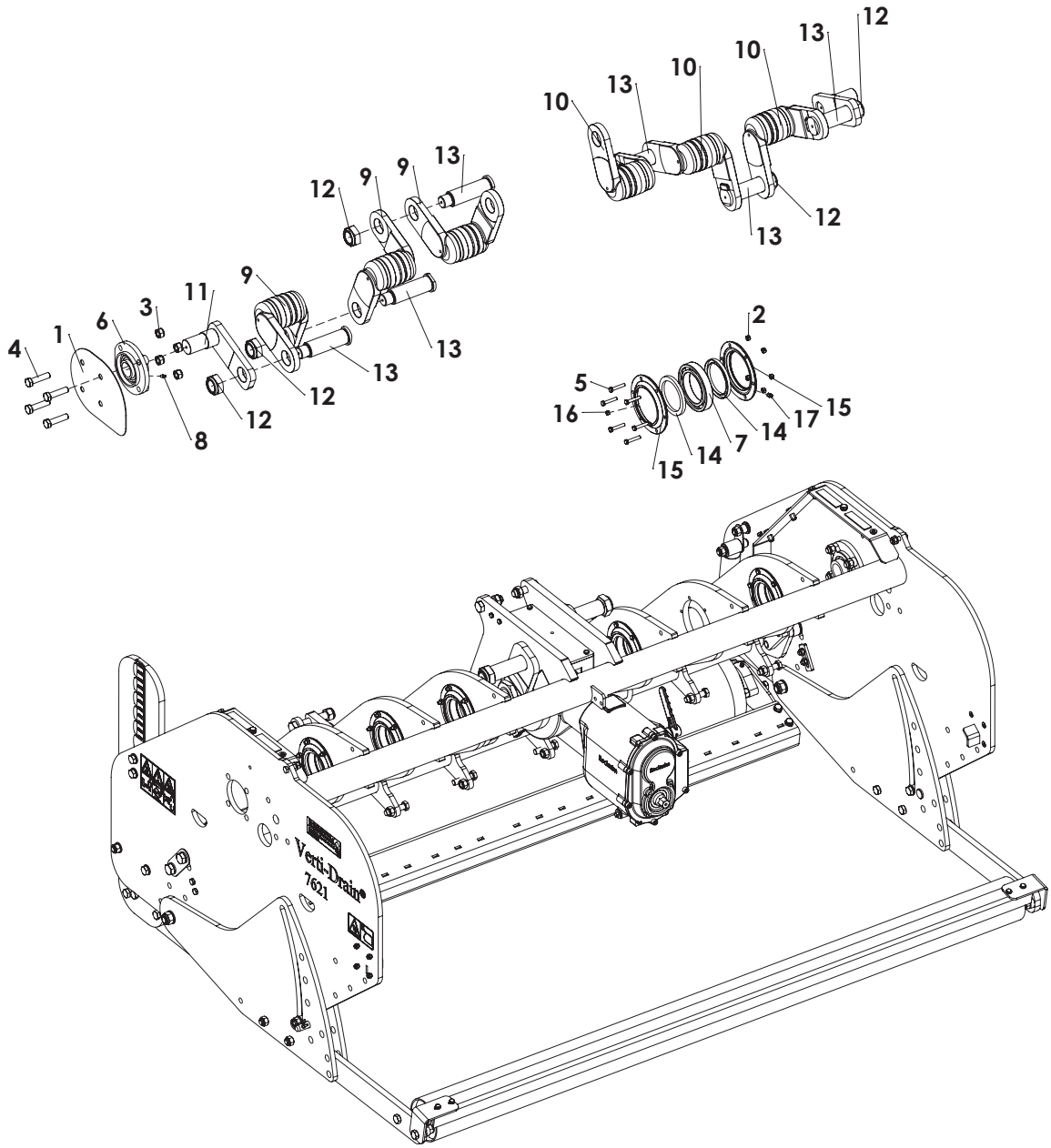
Apply 60ml grease inside drawrod



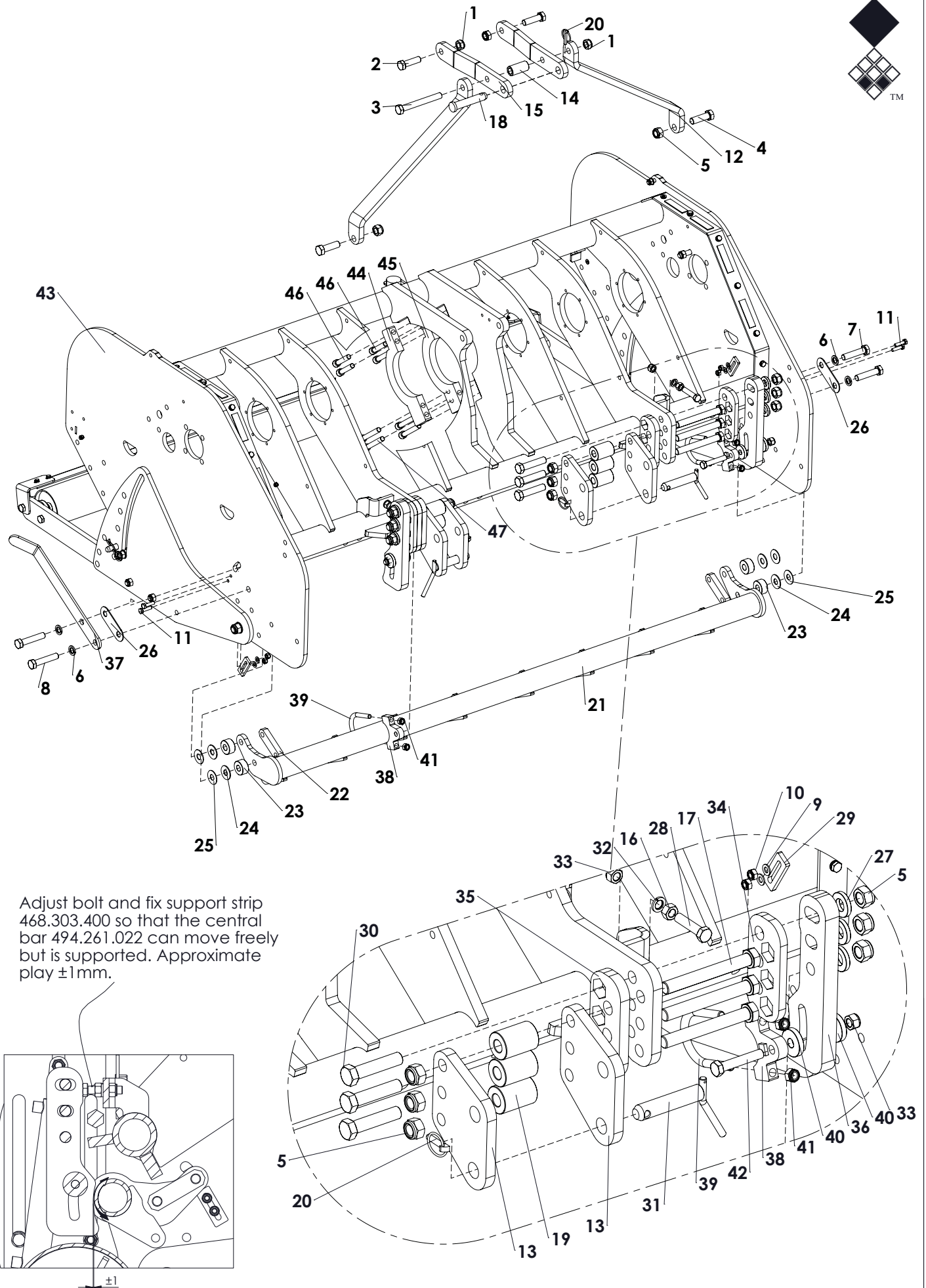
592 ⁺²mm (23.30"-23.38")

Use shim 4306000 to create correct length

ITEM	PART NUMBER	DESCRIPTION	REMARKS	QUA
1	830.180.180	Self Lock Nut M18 - ISO 10511 - Class 10	Check diameter 18mm (0.71")	2
	830.160.160	Self Lock Nut M16 - ISO 10511 - Class 10	Check diameter 16mm (0.63")	2
2	802.180.700	Bolt M18 x 70 - ISO 4014 Class 10.9	Check diameter 18mm (0.71")	2
	802.160.650	Bolt M16 x 65 - ISO 4014 Class 10.9	Check diameter 16mm (0.63")	2
3	830.160.160	Self Lock Nut M16-ISO 10511 Class 10		6
4	416.160.700	Special bolt M16		1
5	464.122.976	Connecting plate first from inside		4
6	464.122.974	Connecting plate second from inside		4
7	464.122.972	Connecting plate third from inside		4
8	802.160.700	Bolt M16 x 70 - ISO 4014 - 10.9		4
9	830.160.160	Self Lock Nut M16-ISO 10511 Class 10		6
10	713.450.190	Bearing 6209-LLU		2
11	464.122.970	Connecting plate outer		4
12	492.951.610	Big end empty 75		1
13	872.085.300	Circlip D=85 - DIN 472		2
14	804.080.160	Bolt M8 x 16 - ISO 4017		1
15	2432102	Bearing support house empty 75	Replaces version with circlips 872.052.200	1
16	2604522	Inner bush		1
17	2604520	Distance washer big end		2
18	2661621	Dust cover big end		2
19	804.100.300	Bolt M10 x 30 - ISO 4017		1
20	830.100.100	Self Lock Nut M10 - ISO 10511		1
21	713.250.150	Bearing 6205-LLU		8
22	4125800	Self Lock Nut M22 - ISO 10511		5
23	826.220.110	Low Nut M22 - DIN 439		1
24	4002315	Tine holder Bolt M16 x 40		2
25	4001675	Tine holder bolt M10x35		10
26	826.160.080	Low Nut M16 - DIN 439		2
27	830.160.160	Self Lock Nut M16-ISO 10511 Class 10		1
28	802.161.100	Bolt M16 x 110 - ISO 4014		1
29	468.155.360	Arm strip		2
30	448.088.122	Bearing support house empty 75	Check mounting holes Ø18.2mm (0.72")	1
	2432102	Bearing support house empty 75	Check mounting holes Ø16.2mm (0.64")	1
31	492.742.180	Tine holder empty 75		1
32	2490452	Support axis 75		2
33	474.251.600	Support axis middle		1
34	468.041.502	Tine holder safety plate		1
35	2602452	Inner bush		3
36	2661700	Distance washer		4
37	476.424.590	Tube for drawrod		1
38	448.421.150	Draw rod head with stud		1
39	2991102	Draw rod head		1
40	404.160.070	Dust washer Ø65/Ø38/Ø16 L=7.25		2
41	404.160.050	Dust washer Ø65/Ø38/Ø16 L=5.25		2
42	406.160.130	Distance bush		2
43	713.300.130	Bearing 6006 LLU		2
44	446.040.350	Stop draw rod		1
45	576.204.300	Compression spring		1
46	2602454	Bush		1
47	4480015	Seal		1
48	4306000	Shim	Use as many to calibrate	2
49	474.204.790	Draw rod		1
50	872.035.150	Circlip D=35 - DIN 472		1
51	872.055.200	Circlip D=55 - DIN 472		2
52	802.100.550	Bolt M10 x 55 - ISO 4014		1
53	830.100.100	Self Lock Nut M10 - ISO 10511		1
	490.345.992	Drawrod complete	Total needed	10

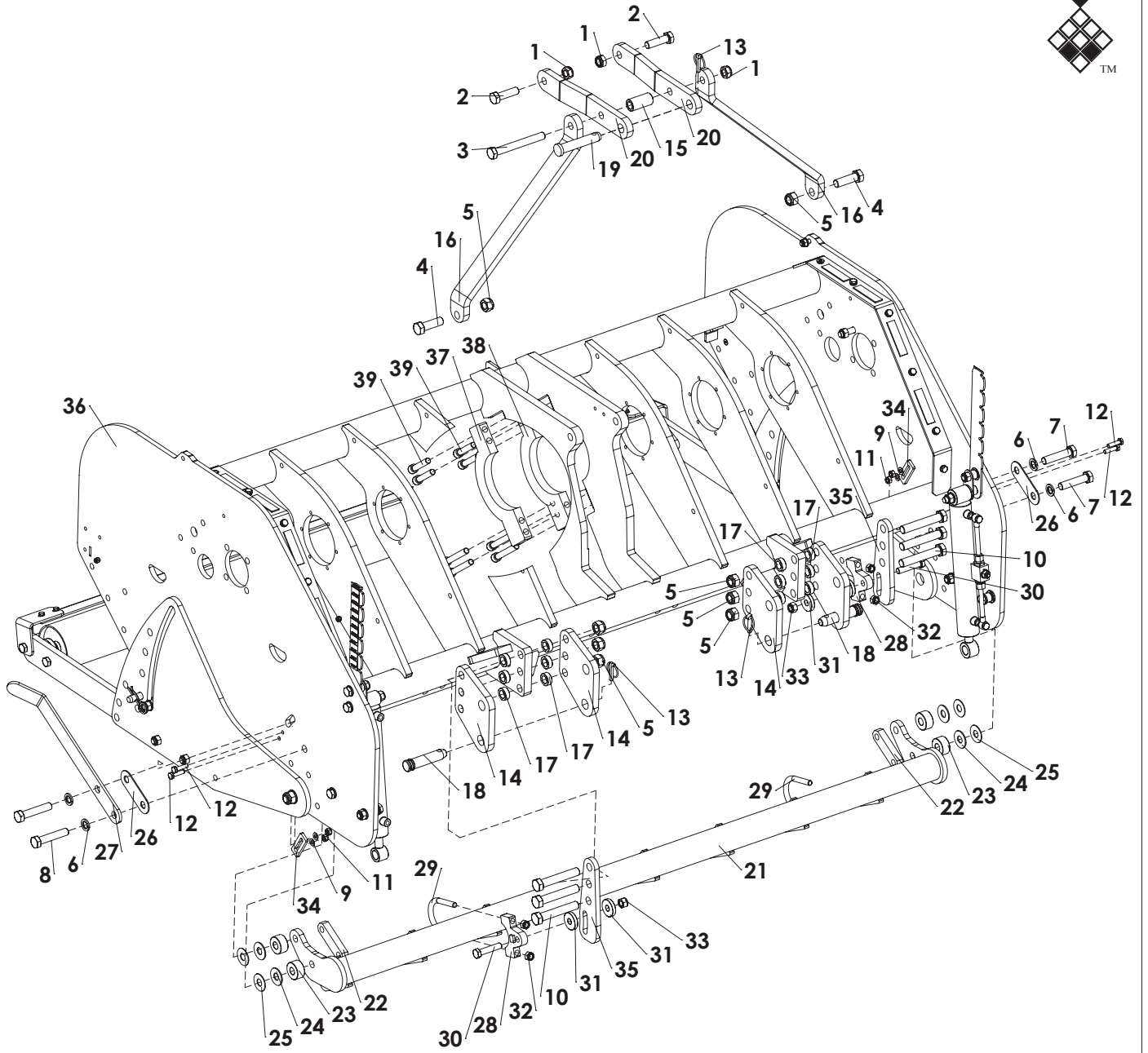


ITEM	PART NUMBER	DESCRIPTION	REMARKS	QUA
1	468.022.100	Cover plate		2
2	830.080.080	Self Lock Nut M8 - ISO 10511		30
3	830.160.160	Self Lock Nut M16 - ISO 10511		8
4	802.160.650	Bolt M16 x 65 - ISO 4014		8
5	802.080.450	Bolt M8 x 45 - ISO 4014		36
6	741.450.590	Bearing UELFC 209		2
7	711.950.240	Bearing 6019		6
8	880.060.100	Grease nipple M6 DIN 71412A		4
9	2441700	7521 Right crank		3
10	2441702	7521 Left crank		3
11	492.192.300	End crank 7626		2
12	4129210	Nut M35x1.5		8
13	2490182	Big end pin		6
14	4410310	Oil Seal 95x120x10 RP		12
15	468.151.804	Crank cover empty		12
16	4067000	Breather M10x1		6
17	4061150	Grease nipple M10x1		6

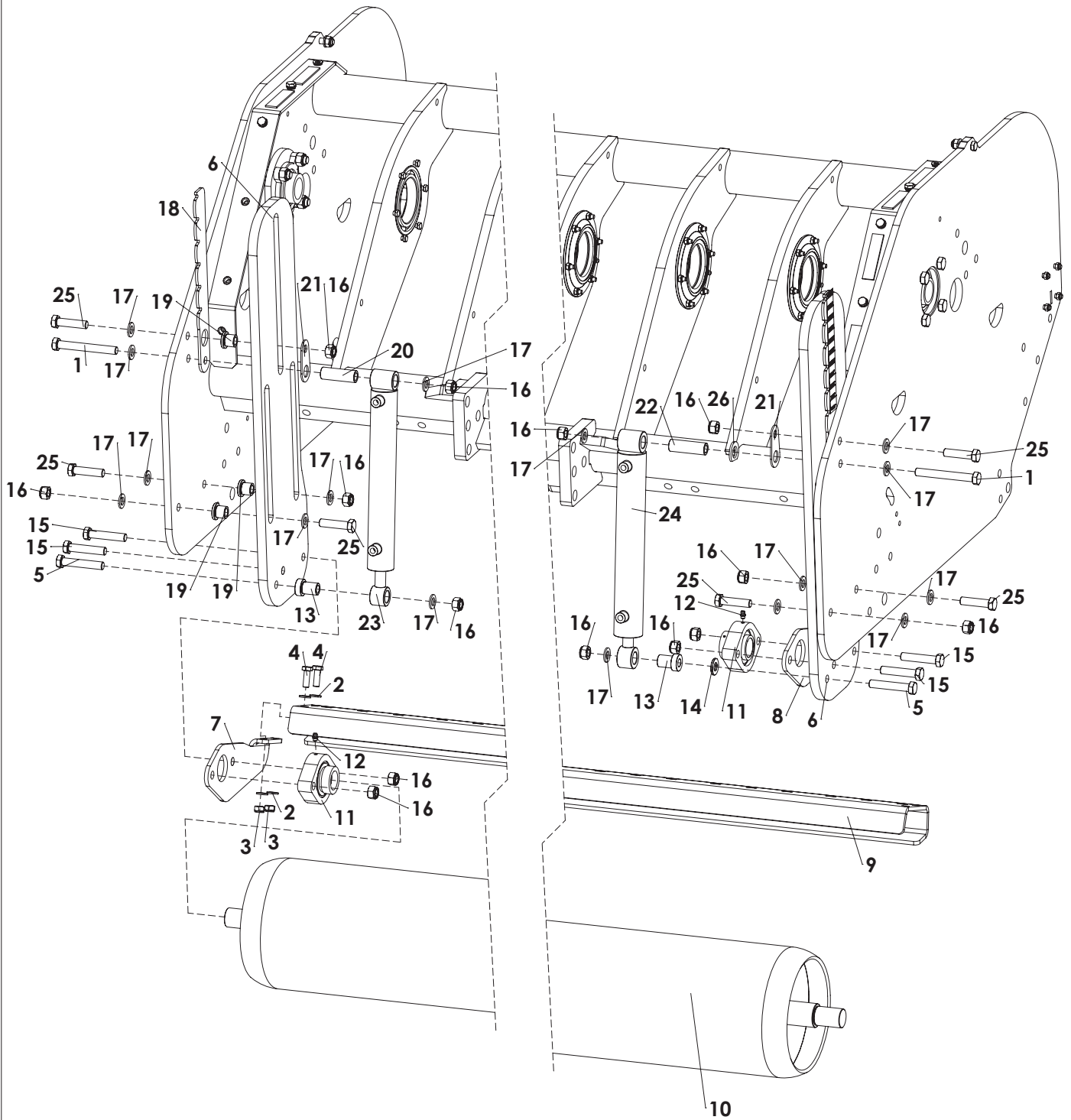


Adjust bolt and fix support strip 468.303.400 so that the central bar 494.261.022 can move freely but is supported. Approximate play ± 1 mm.

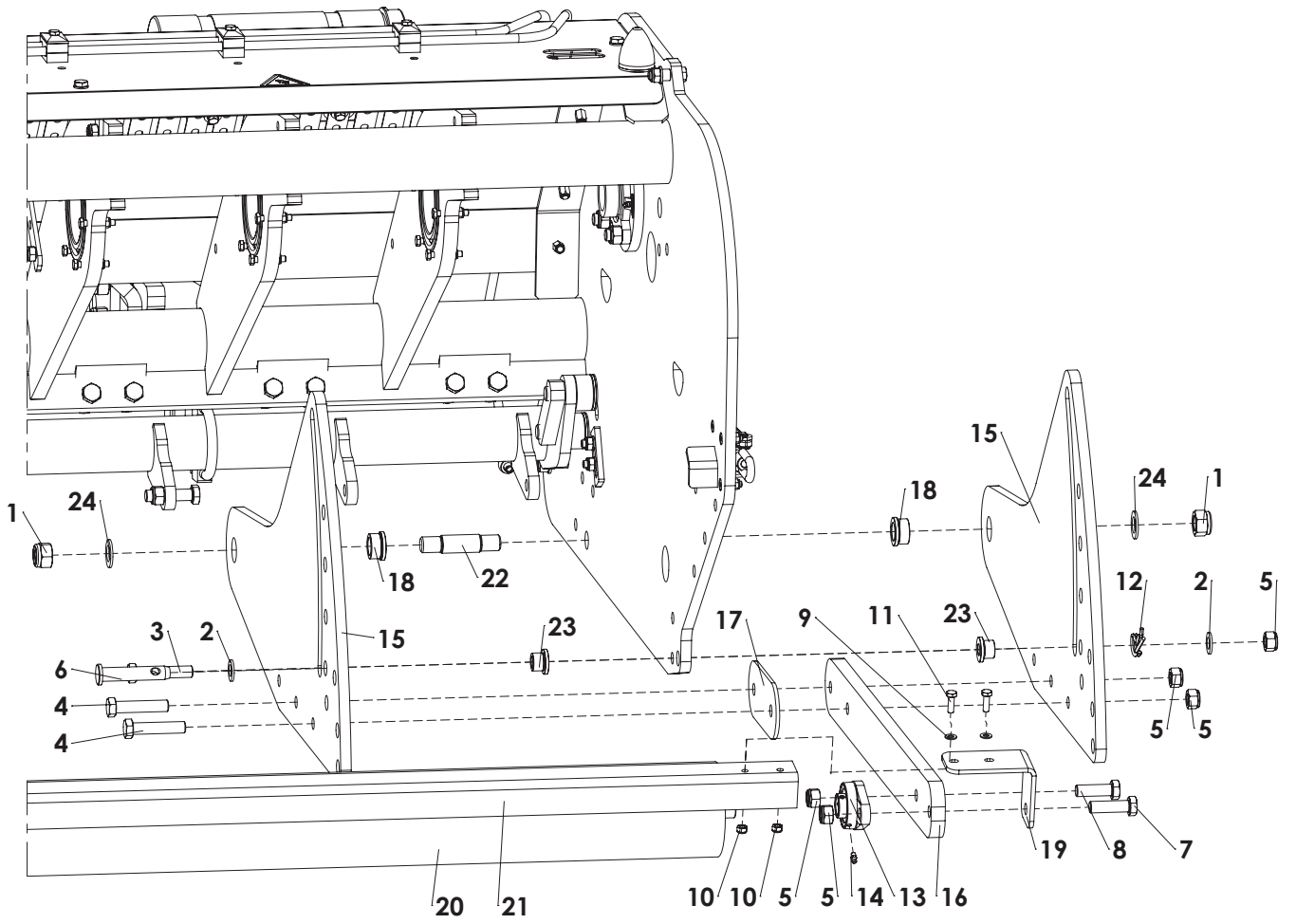
ITEM	PART NUMBER	DESCRIPTION	REMARKS	QUA
1	830.200.200	Self Lock Nut M20 Din 985 h=17		3
2	802.200.700	Bolt M20 x 70 - ISO 4014		2
3	802.201.700	Bolt M20 x 170 - ISO 4014 Class 8.8		1
4	802.220.700	Bolt M22 x 70 - ISO 4014		2
5	830.220.220	Self Lock Nut M22 - ISO 10511		14
6	866.200.020	Spring Washer M20 - Din 127		4
7	802.200.900	Bolt M20 x 90 - ISO 4014		2
8	802.201.000	Bolt M20 x 100 - ISO 4014		2
9	864.100.030	Washer M10 - ISO 7089		4
10	830.100.100	Self Lock Nut M10 - ISO 10511		4
11	804.100.400	Bolt M10 x 40 - ISO 4017		4
12	464.204.920	Top link support strip		2
13	468.202.490	3-Point bottom link plate		4
14	406.200.700	Distance bush Ø33.7/Ø20.5 L=69.5		1
15	464.203.860	Top link strip		2
16	826.160.160	Nut M16 - DIN 934		2
17	802.221.800	Bolt M22 x 180 - ISO 4014		6
18	521.251.380	Top link pin		1
19	406.230.700	Distance bush		6
20	523.100.570	Linch Pin d10		3
21	494.261.022	Central bar		1
22	464.251.250	Lock strip		2
23	412.210.250	Distance bush		4
24	412.210.030	Shim 3mm		4
25	412.210.020	Shim 2mm		4
26	464.031.400	Distance plate		2
27	402.230.080	Distance washer		6
28	804.160.700	Bolt M16 x 70 - ISO 4017		2
29	468.080.750	Lock strip		2
30	802.221.000	Bolt M22 x 100 - ISO 4014		6
31	521.281.230	Pin 28x123		2
32	866.160.020	Spring Washer M16 - DIN 127		2
33	830.160.160	Self Lock Nut M16 - ISO 10511		4
34	468.151.952	Spacer		2
35	468.201.950	Spacer		2
36	468.303.400	Support strip		2
37	468.085.070	Tine angle adjustment lever		1
38	466.279.000	Support bolt assy central bar		2
39	848.791.360	U-Bolt M14		2
40	402.160.100	Distance washer Ø16.5/Ø50 L=10		4
41	830.140.140	Self Lock Nut M14 - ISO 10511		4
42	802.160.900	Bolt M16 x 90 - ISO 4014		2
43	494.210.138	Main frame 7621		1
44	468.253.452	Gearbox clamp right		1
45	468.253.450	Gearbox clamp left		1
46	814.160.800	Bolt M16 x80 - DIN 912		4
47	814.161.100	Bolt M16 x 110 - DIN 912		4



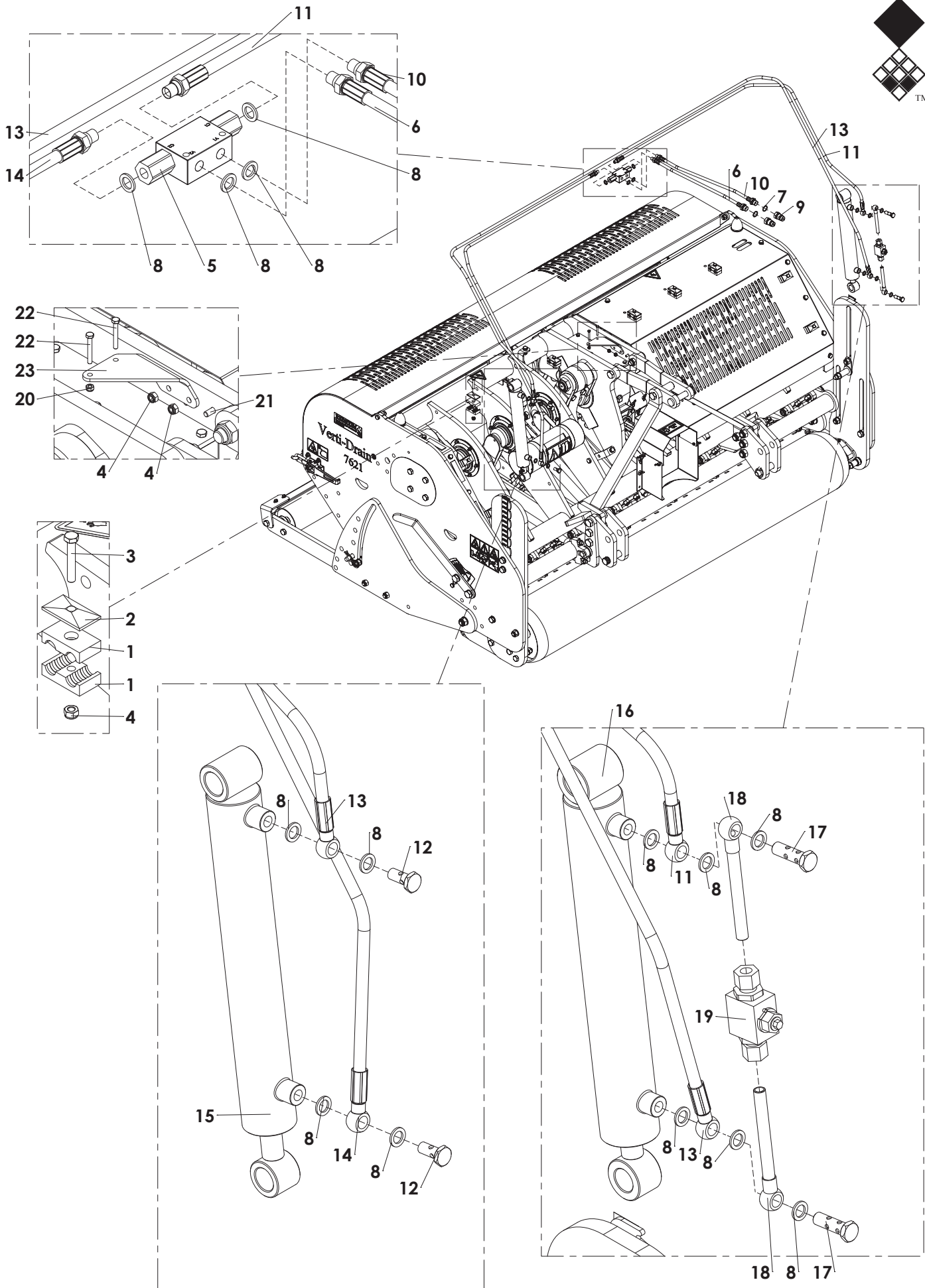
ITEM	PART NUMBER	DESCRIPTION	REMARKS	QUA
1	830.200.200	Self Lock Nut M20 Din 985 h=17		3
2	802.200.700	Bolt M20 x 70 - ISO 4014		2
3	802.201.700	Bolt M20 x 170 - ISO 4014 Class 8.8		1
4	802.220.700	Bolt M22 x 70 - ISO 4014		2
5	830.220.220	Self Lock Nut M22 - ISO 10511		8
6	866.200.020	Spring Washer M20 - Din 127		4
7	802.200.900	Bolt M20 x 90 - ISO 4014		2
8	802.201.000	Bolt M20 x 100 - ISO 4014		2
9	864.100.030	Washer M10 - ISO 7089		4
10	802.221.300	Bolt M22 x 130 - ISO 4014		6
11	830.100.100	Self Lock Nut M10 - ISO 10511		4
12	804.100.400	Bolt M10 x 40 - ISO 4017		4
13	523.100.570	Linch Pin d10		3
14	468.202.490	3-Point bottom link plate		4
15	406.200.700	Distance bush Ø33.7/Ø20.5 L=69.5		1
16	464.205.220	Top link support strip		2
17	406.220.140	Distance bush Ø35/Ø22.5 L=13.5		12
18	521.280.950	Pin Cat. 2 - 28,6 x 95		2
19	521.251.380	Top link pin		1
20	464.203.860	Top link strip		2
21	494.261.022	Central bar		1
22	464.251.250	Lock strip		2
23	412.210.250	Distance bush		4
24	412.210.030	Shim 3mm		4
25	412.210.020	Shim 2mm		4
26	464.031.400	Distance plate		2
27	468.085.070	Tine angle adjustment lever		1
28	466.279.000	Support bolt assy central bar		2
29	848.791.360	U-Bolt M14		2
30	802.160.750	Bolt M16 x 75 - ISO 4014		2
31	402.160.100	Distance washer Ø16.5/Ø50 L=10		4
32	830.140.140	Self Lock Nut M14 - ISO 10511		4
33	830.160.160	Self Lock Nut M16 - ISO 10511		2
34	468.080.750	Lock strip		2
35	464.152.570	Adjustment plate central bar		2
36	494.210.136	Main frame 7621		1
37	468.253.452	Gearbox clamp right		1
38	468.253.450	Gearbox clamp left		1
39	814.160.800	Bolt M16 x80 - DIN 912		4



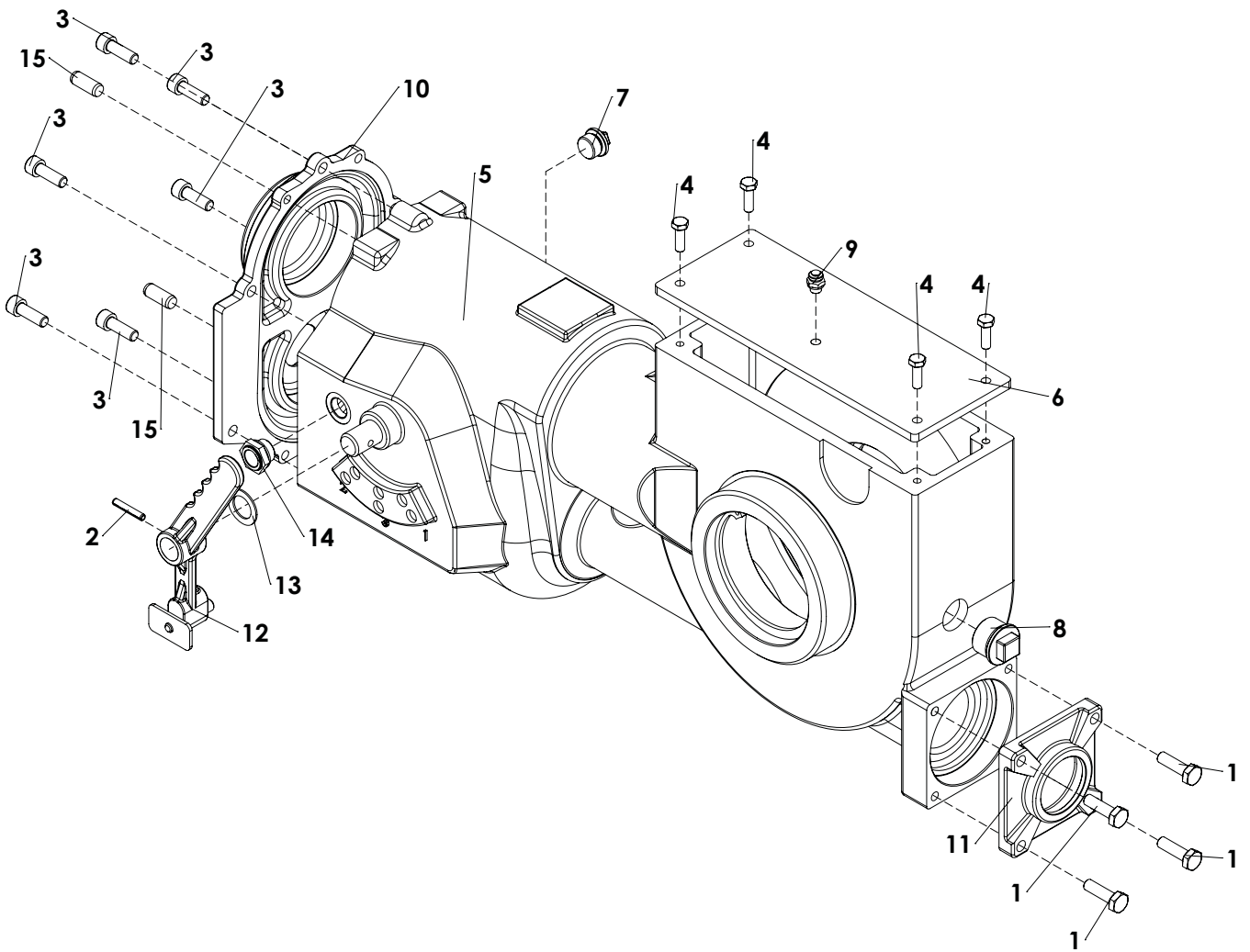
ITEM	PART NUMBER	DESCRIPTION	REMARKS	QUA
1	802.161.300	Bolt M16 x 130 - ISO 4014		2
2	864.120.030	Washer M12 - ISO 7089		8
3	830.120.120	Self Lock Nut M12 - ISO 10511		4
4	804.120.350	Bolt M12 x 35 - ISO 4017		4
5	802.160.900	Bolt M16 x 90 - ISO 4014		2
6	468.208.790	Front roller support		2
7	468.083.482	Front roller scraper support right		1
8	468.083.480	Front roller scraper support left		1
9	468.089.262	Front roller scraper 7621		1
10	488.273.920	Front roller		1
11	742.400.630	Front roller bearing		2
12	880.080.100	Grease nipple M8 DIN 71412A		2
13	404.170.450	Bush		2
14	406.170.040	Distance washer Ø35/Ø17 L=4		1
15	802.160.800	Bolt M16 x 80 - ISO 4014		4
16	830.160.160	Self Lock Nut M16 - ISO 10511		16
17	864.160.030	Washer M16 - ISO 7089		16
18	464.054.030	Depth control strip		2
19	404.170.260	Slide bush		6
20	406.250.750	Distance bush		1
21	468.030.880	Support		2
22	406.250.790	Distance bush		1
23	534.404.000	Cilinder depth adjustment right		1
24	534.454.000	Cilinder depth adjustment left		1
25	802.160.650	Bolt M16 x 65 - ISO 4014		6
26	468.040.442	Special washer		1



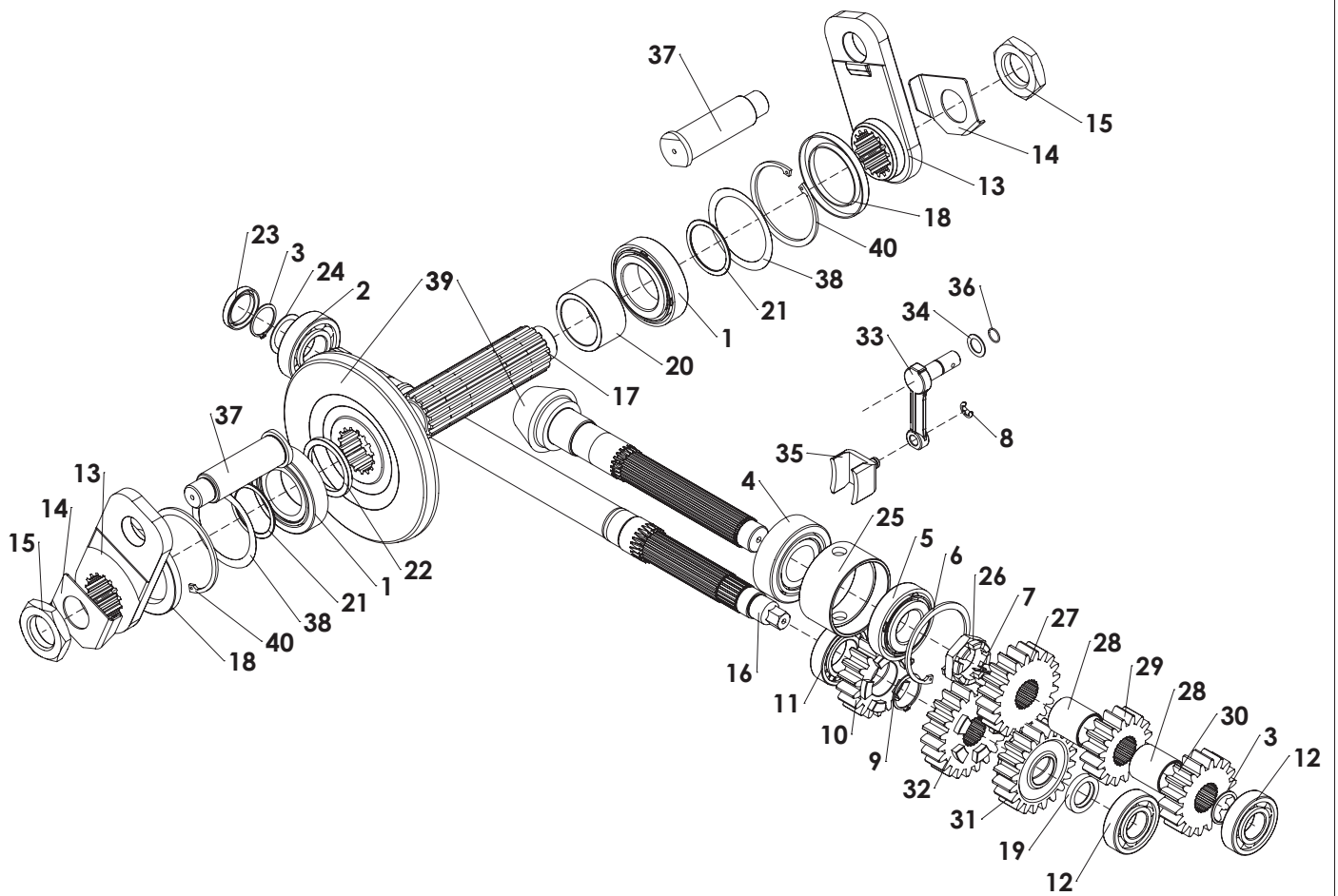
ITEM	PART NUMBER	DESCRIPTION	REMARKS	QUA
1	830.220.220	Self Lock Nut M22 - ISO 10511		4
2	864.160.030	Washer M16 - ISO 7089		4
3	802.160.800	Bolt M16 x 80 - ISO 4014		2
4	802.160.750	Bolt M16 x 75 - ISO 4014		4
5	830.160.160	Self Lock Nut M16 - ISO 10511		10
6	521.190.900	3-Point Pin		2
7	802.160.550	Bolt M16 x 55 - ISO 4014		2
8	804.160.500	Bolt M16 x 50 - ISO 4017		2
9	864.080.030	Washer M8 - ISO 7089		4
10	830.080.080	Self Lock Nut M8 - ISO 10511		4
11	804.080.250	Bolt M8 x 25 - ISO 4017		4
12	523.051.000	R-clip Round 5, DIN 11024		2
13	742.250.360	Bearing UCFL 205		2
14	880.060.100	Grease nipple M6 DIN 71412A		2
15	468.158.800	Main rear roller support		4
16	464.208.140	Rear roller support		2
17	468.052.100	Distance plate		2
18	404.250.210	Pivot bush		4
19	2283276	Rear roller scraper support		2
20	2344422	Rear roller 7521		1
21	2283272	Scraper VD7521		1
22	416.251.080	Support axis rear roller		2
23	404.170.210	Pivot bush		4
24	864.220.030	Washer M22 - ISO 7089		4



ITEM	PART NUMBER	DESCRIPTION	REMARKS	QUA
1	547.150.150	Hose clamp double 15mm		20
2	547.300.510	Cover plate hose clamp 2x15 - 2x18		10
3	802.080.500	Bolt M8 x 50 - ISO 4014		10
4	830.080.080	Self Lock Nut M8 - ISO 10511		12
5	535.401.000	Pressure controlled one way valve 148"		1
6	541.131.950	Hose NSK6-1/4" TL=1950 PN68 + PN64		1
7	874.210.020	Copper washer 1_2		2
8	874.130.020	Copper washer 1/4"		14
9	545.210.800	Quick connector male 1/2"		2
10	541.131.950	Hose NSK6-1/4" TL=1950 PN68 + PN64		1
11	541.131.750	Hose HSTHF6-1/4" TL=1750 PQB64+PN64		1
12	544.132.330	Cavity Bolt 1/4"		2
13	541.133.100	Hose 6-1/4" HSTHF6 TL=4000 2x PQB64		1
14	541.131.952	Hose HSTHF6-1/4" TL=2000 PQB64+PN64		1
15	534.404.000	Cilinder depth adjustment right		1
16	534.454.000	Cilinder depth adjustment left		1
17	543.130.430	Cavity Bolt 1/4" dubble		2
18	542.101.200	Banyo connector 1/4" straight		2
19	546.250.750	Ball valve		1
20	830.060.060	Self Lock Nut M6 - ISO 10511		2
21	802.080.400	Bolt M8 x 40 - ISO 4014		2
22	802.060.450	Bolt M6 x 45 - ISO 4014		2
23	464.051.620	Bracket		1



ITEM	PART NUMBER	DESCRIPTION	REMARKS	QUA
1	804.100.350	Bolt M10 x 35 - ISO 4017		4
2	878.060.350	Roll Pin 6 x 35 - ISO 8752		1
3	814.100.300	Bolt M10 x 30 - DIN 912		6
4	804.080.250	Bolt M8 x 25 - ISO 4017		4
5	2401804	Transmission box housing		1
6	2471820	Top cover		1
7	4561000	Tap 1/2"		1
8	4561100	Tap 1"		1
9	4067008	Breather gearbox		1
10	2471814	Rear cover		1
11	2471812	PTO Cover		1
12	1994002	Gear lever complete		1
13	2894040	Plastic washer 22.2x34x1.5		1
14	820.210.180	Level / fill glass		1
15	890.120.300	Parallel Pin ISO 8734 - 12x30		2
		Use oil 80W90		6.5 liters
		Use liquid silicon paste to seal parts		
	1441840-45	Gearbox complete		



ITEM	PART NUMBER	DESCRIPTION	REMARKS	QUA
1	4810530	Bearing 32214		2
2	4817050	Bearing 6309		1
3	870.045.180	Circlip DIN 471 - 45 x 1.75		2
4	4810730	Bearing 32311		1
5	4809680	Bearing 30310		1
6	872.120.400	Circlip D=120 - DIN 472		1
7	4317430	Cotter Pin 3.2 x 56 - DIN 94		1
8	4752012	Seeger RS12		1
9	870.050.200	Circlip d=50 - DIN 471		1
10	2506185	Gearwheel Z=18		1
11	4801800	Bearing NJ2210		1
12	4816980	Bearing 6308		2
13	2447800	Splined arm		2
14	2283000	Locking plate		2
15	4109900	Nut - M50x2.5		2
16	2460810	Transmission shaft		1
17	2462200	Crown wheel shaft		1
18	4410150	Oil Seal 88x126x12 RP		2
19	4406260	Oil Seal 35x56x10		1
20	2611830	Spacer		1
21	4307055	Spacer		2
22	4307060	Spacer		1
23	4407690	Oil Seal 45x62x10 RP		1
24	2611824	Spacer		1
25	2611816	Spacer		1
26	4135200	Castle Nut		1
27	2506204	Gearwheel Z=20		1
28	2611812	Spacer		2
29	2506164	Gearwheel Z=16		1
30	2506184	Gearwheel Z=18		1
31	2506205	Gearwheel Z=20		1
32	2506225	Gearwheel Z=22		1
33	2469210	Lever with pin		1
34	2894040	Plastic washer 22.2x34x1.5		2
35	2779974	Fork		1
36	4422075	O-ring D18.77x1.78		1
37	2490182	Big end pin		2
38	869.125.001	Set of shims 100x125 2x0.1 2x0.3		1
39	2528932	Crownwheel and pignon		1
40	872.125.400	Circlip D=42 - DIN 472		2

Solid tines							7621
Mountig Ø (mm)	Tine Size (mm)	Tine Size (inch)	Part #	Adapter			Qua
5	5 x 125	3/16 x 5	311.105.125	J or multi-tine block mini			32+J
8	8 x 150	5/16 x 6	311.108.150	K or multi-tine block			32+K or 64+N+U+W
8	8 x 175	5/16 x 7	9990056	K or multi-tine block			32+K or 64+N+U+W
8	8 x 250	5/16 x 10	9990059	K - Don't use in MTH. Will bend			32+K
12	12 x 150	1/2 x 6	311.112.150				32
12	12 x 200	1/2 x 8	311.112.200				32
12	12 x 225	1/2 x 9	311.112.225				32
12	12 x 250	1/2 x 10	2381837				32
12	12 x 300	1/2 x 12	2381838				32
18	18 x 200	3/4 x 8	311.118.200	L or non needed			16+L
18	18 x 225	3/4 x 9	311.118.225	L or non needed			16+L
18	18 x 250	3/4 x 10	2381841	L or non needed			16+L
18	18 x 300	3/4 x 12	2382638	L or non needed			16+L
18	18 x 350	3/4 x 14	311.118.350	L or non needed			16+L
18	18 x 400	3/4 x 16	2382639	L or non needed			16+L
24	24 x 225	1 x 9	311.124.225				16
24	24 x 350	1 x 14	311.124.350				16
24	24 x 400	1 x 16	2382640				16
Tines for verti-core							
19	10x100	3/8 x 4	39200-447	Tines for verti-core that also fit Verti-drain			
8	8x95	5/16 x 3 13/16	311.108.095	Tines for verti-core that also fit Verti-drain			

Hollow tines							7621
Mountig Ø (mm)	Tine Size (mm)	Tine Size (inch)	Part #	Adapter			Qua
8	10 x 6 x 80	3/8 x 1/4 x 3	311.210.080	K or multi-tine block			32+K or 64+N+U+W
8	10 x 6 x 125	3/8 x 1/4 x 5	311.210.127	K or multi-tine block			32+K or 64+N+U+W
12	16 x 10 x 150	5/8 x 3/8 x 6	311.216.150				32
12	16 x 10 x 175	5/8 x 3/8 x 7	9990022				32
12	19 x 12 x 150	3/4 x 1/2 x 6	311.219.150				32
18	19 x 12 x 200	3/4 x 1/2 x 8	311.219.200	L or non needed			16+L
12	19 x 12 x 200	3/4 x 1/2 x 8	311.219.201				32
18	19 x 12 x 225	3/4 x 1/2 x 9	311.219.225	L or non needed			16+L
12	19 x 12 x 225	3/4 x 1/2 x 9	311.219.226				32
12	19 x 12 x 250	3/4 x 1/2 x 10	9990040				32
18	19 x 12 x 250	3/4 x 1/2 x 10	9990023	L or non needed			16+L
18	25 x 16 x 200	1 x 5/8 x 8	311.225.200	L or non needed			16+L
18	25 x 16 x 225	1 x 5/8 x 9	311.225.225	L or non needed			16+L
18	25 x 17 x 250	1 x 5/8 x 10	9990024	L or non needed			16+L
18	29 x 19 x 250	1 1/8 x 3/4 x 10	9990066	L or non needed			16+L
24	32 x 21 x 300	1 1/4 x 13/16 x 12	9990034				16
18	32 x 21 x 300	1 1/4 x 13/16 x 12	9990041	L or non needed			16+L
Tines for verti-core that also fit Verti-drain 15xx							
Mountig Ø (mm)	Tine Size (mm)	Tine Size (inch)	Part #	Ejecting from			Qua
19	21x12x125	13/16 x 1/2 x 5	9990075	Side			n/a
19	19x10x125	3/4 x 3/8 x 5	311.219.159	Side			n/a
19	19x10x110	3/4 x 3/8 x 4 3/8	311.219.158	Top			n/a
19	16x7x110	5/8 x 1/4 x 4 3/8	311.219.138	Top			n/a

Replacement tubes							7621
Mountig Ø (mm)	Tine Size (mm)	Tine Size (inch)	Part #	Combine with rollpin			Qua
12	16 x 10 x 150	5/8 x 3/8 x 6	311.716.150	9990010			
12	16 x 10 x 175	5/8 x 3/8 x 7	9990036	9990010			32
12	19 x 12 x 150	3/4 x 1/2 x 6	311.719.150	9990012			
18	19 x 12 x 200	3/4 x 1/2 x 8	311.719.200	9990012			
12	19 x 12 x 200	3/4 x 1/2 x 8	311.719.200	9990012			
18	19 x 12 x 225	3/4 x 1/2 x 9	311.719.225	9990012			
12	19 x 12 x 225	3/4 x 1/2 x 9	311.719.225	9990012			
12	19 x 12 x 250	3/4 x 1/2 x 10	9990037	9990012			16 / 32
18	19 x 12 x 250	3/4 x 1/2 x 10	9990037	9990012			
18	25 x 16 x 200	1 x 5/8 x 8	311.725.200	9990014			
18	25 x 16 x 225	1 x 5/8 x 9	311.725.225	9990014			16
18	25 x 17 x 250	1 x 5/8 x 10	9990038	9990014			
18	29 x 19 x 250	1 1/8 x 3/4 x 10	9990067	9990016			16
24	32 x 21 x 300	1 1/4 x 13/16 x 12	9990039	9990016			
18	32 x 21 x 300	1 1/4 x 13/16 x 12	9990039	9990016			

Cross tines							7621
Mountig Ø (mm)	Tine Size (mm)	Tine Size (inch)	Part #	Adapter			Qua
8	12 x 90	1/2 x 3 1/2	9990020	K or multi-tine block			32 + K
12	12 x 90	1/2 x 3 1/2	311.812.090				32
12	19 x 120	3/4 x 5	9990021				32

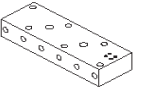
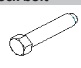
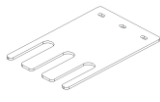
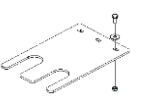
Chisel tines							7621
Mountig Ø (mm)	Tine Size (mm)	Tine Size (inch)	Part #				Qua
12	4.8 x 19 x 175	3/16 x 3/4 x 7	311.619.175				32
12	4.8 x 19 x 120	3/16 x 3/4 x 4 3/4	311.619.120				32

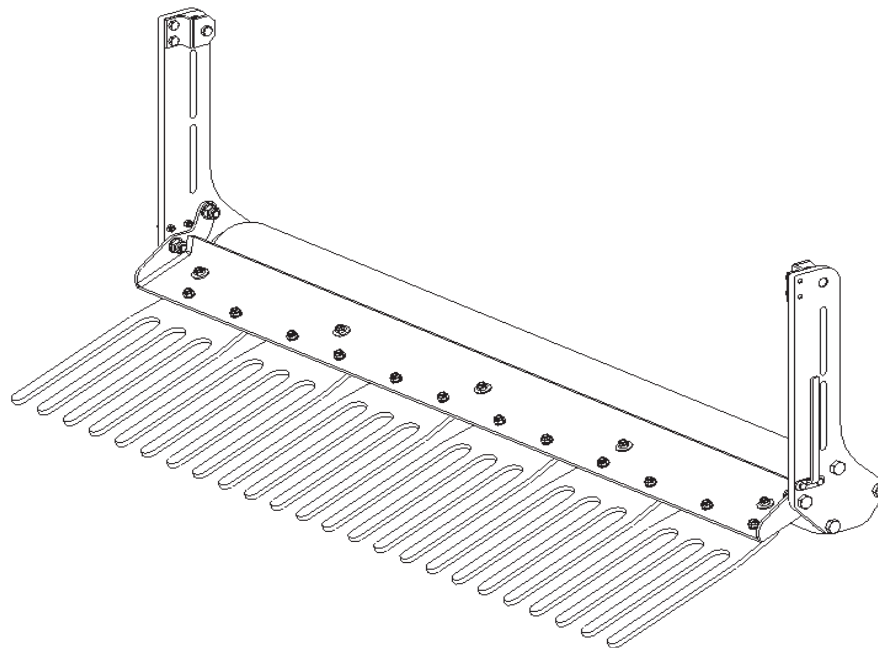
Tines for verti-core							7621
Mountig Ø (mm)	Tine Size (mm)	Tine Size (inch)	Part #	Adapter			Qua
19	5 x 30 x 90	3/16 x 1 3/16 x 3 1/2	311.619.127	Tines for verti-core			

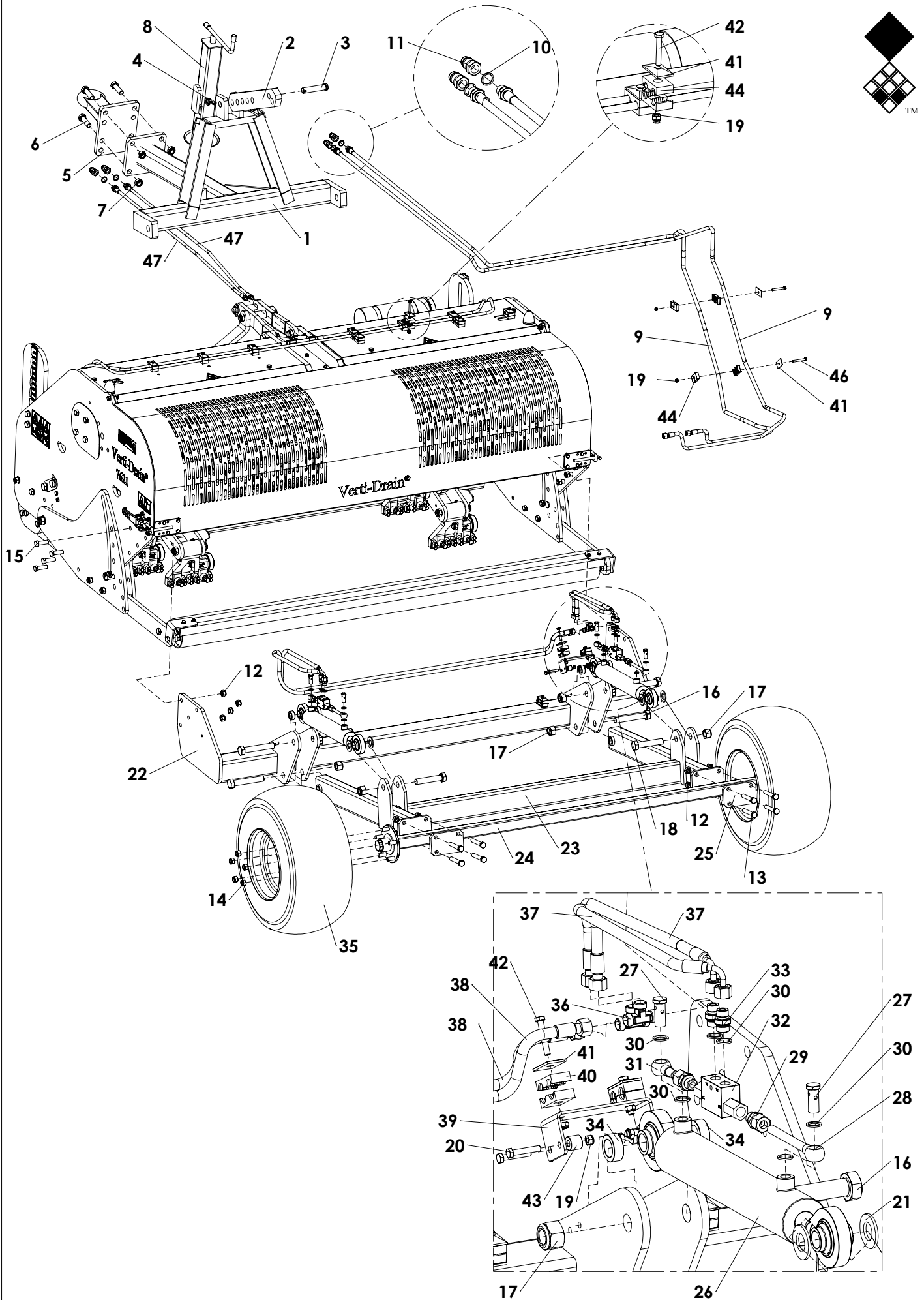
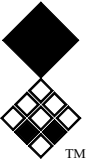
Composed hollow tines							7621
Shank							7621
	Size (mm)	Size (inch)	Part #				Qua
A	12	1/2	311.120.690	(Straight)			32
B	18	3/4	311.180.782	(Straight)			16
C	12	1/2	311.180.780				32
D	24	1	311.240.862	(Straight)			16
E	18	3/4	311.240.860				

Clip							7621
	Size (mm)	Size (inch)	Part #				Qua
F	16	5/8	438.160.160				40
G	22	7/8	438.220.220				40 / 20
H	30	1 3/16	438.300.300				20

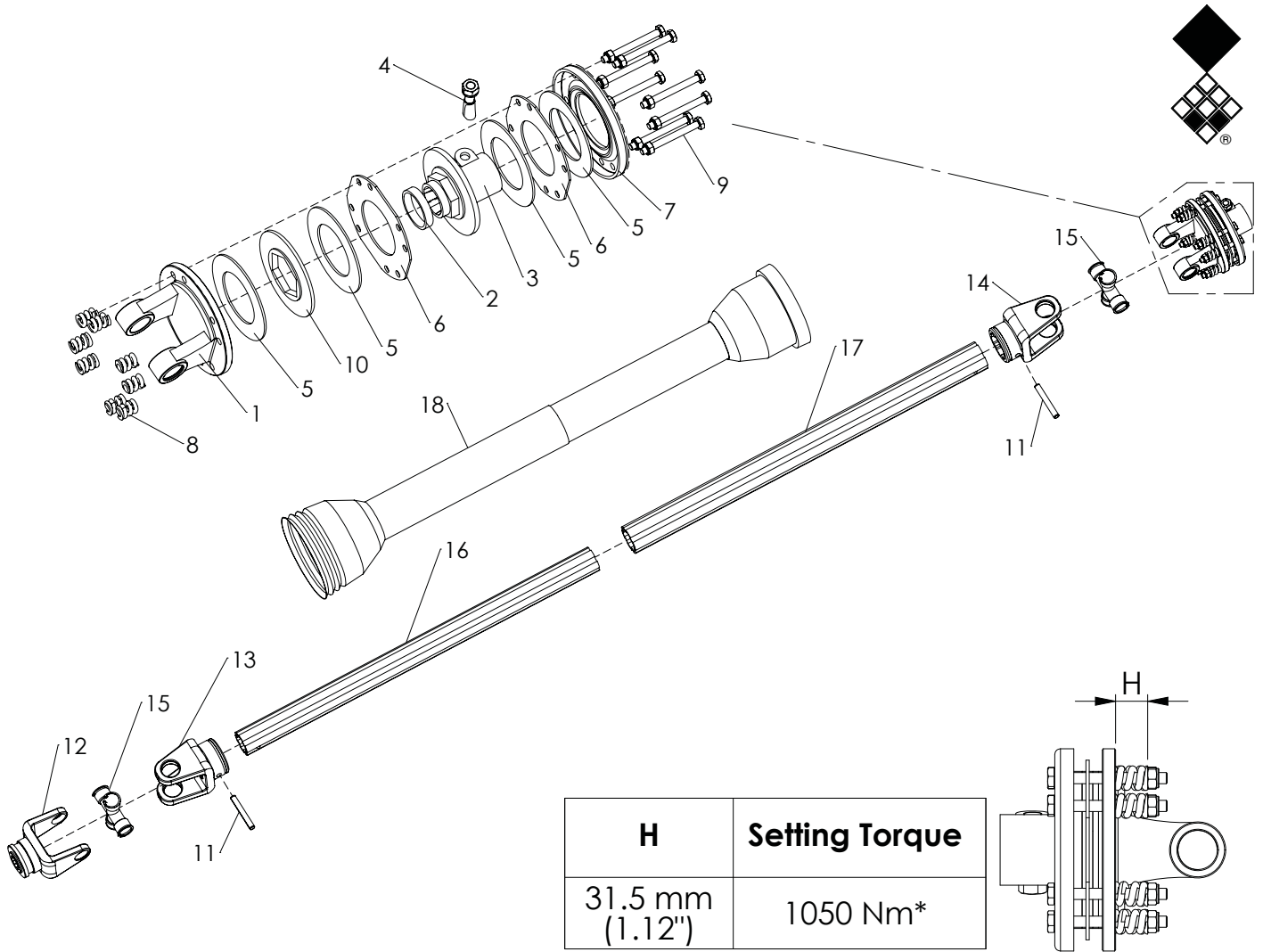
Hollow tine tube (folded)							7621
	Tine Size (mm)	Tine Size (inch)	Part #				Qua
	16 x 150	5/8 x 6	317.316.150	Combine with:	A and F		32A+32F
	16 x 200	5/8 x 8	317.316.200	Combine with:	A and F		32A+32F
	22 x 150	7/8 x 6	317.322.150	Combine with:	B or C and G		32B+32G+32L
							32C+32G
	22 x 250	7/8 x 10	317.322.250	Combine with:	B or C and G		32B+32G+32L
							32C+32G
	22 x 150	7/8 x 6	317.322.150	Combine with:	B or C and G		16B+16G+16L
							16C+16G
	22 x 250	7/8 x 10	317.322.250	Combine with:	B or C and G		16B+16G+16L
							16C+16G
	30 x 150	1 3/16 x 6	317.330.150	Combine with:	E and H		16D+16H
							16E+16H+16L
	30 x 225	1 3/16 x 9	317.330.220	Combine with:	E and H		16D+16H
							16E+16H+16L
	30 x 300	1 3/16 x 12	317.330.300	Combine with:	E and H		16D+16H

Adapter							7621
		Tine Size (mm)	Tine Size (inch)	Part #			Qua
	J	5	3/16	314.205.043			32
	K	8	5/16	314.208.043			32
Adapter							7621
		Tine Size (mm)	Tine Size (inch)	Part #			Qua
	L	18	3/4	2451800			16
Multi-tine block complete WO tines							7621
		Tine Size (mm)	Tine Size (inch)	Part #		Tines:	Qua
		8mm (5 tines)	5/16	211.700.016	Combination of:	T-O-U-Y-Z	A1-A3-A4-A5
		8mm (6 tines)	5/16	9990206	Combination of:	M-U	A1-A2-A3-A4-A5
		8mm (8 tines)	5/16	9990208	Combination of:	N-U	A1-A2-A3-A4-A5
		8mm (8 tines)	5/16	9990211	Combination of:	N-U-W	A1-A2-A3-A4-A5
		8mm (8 tines)	5/16	314.430.209	Combination of:	P-U	A1-A2-A3-A4-A5
		Tines:					
	A1	8 x 150	5/16 x 6	311.108.150	Solid tine		
	A2	8 x 175	5/16 x 7	9990056	Solid tine		
	A3	10 x 6 x 80	3/8 x 1/4 x 3	311.210.080	Hollow tine		8 (64 tines)
A4	10 x 6 x 125	3/8 x 1/4 x 5	311.210.127	Hollow tine			
A5	12 x 90	1/2 x 3 1/2	9990020	Cross tine			
Multi-tine block empty							7621
		Tine Size (mm)	Tine Size (inch)	Part #			Qua
	M	8mm (6 tines)	5/16	9990201			
	N	8mm (8 tines)	5/16	314.430.240			8
	O	8mm (5 tines)	5/16	480.301.430			
	P	8mm (8 tines)	5/16	211.215.002			
Tine lock bolt							7621
		Size (mm)		Part #			Qua
	U	10x40		812.100.401			
		10x35		4001675			64
Stud							7621
		Size (mm)		Part #			Qua
	W	23.2x50		408.230.500			16
	X	12x60		9990212D			
Turf hold down fingers							7621
		Part name				Part #	Qua
		Turf hold down finger					
		Turf hold down finger MTH					
		Turf hold down finger 12mm end					
		Turf hold down finger 12mm				311.510.650	8
		Turf hold down finger 18mm					
		Turf hold down finger 24mm end					
	Turf hold down finger 24mm				311.510.652	8	
Turf hold down kit							7621
		Part name				Part #	Qua
		THD kit complete					
		THD kit complete MTH					
		THD kit complete 12mm				211.762.100	1
		THD kit complete 18mm					
		THD kit complete 24mm				211.762.102	1

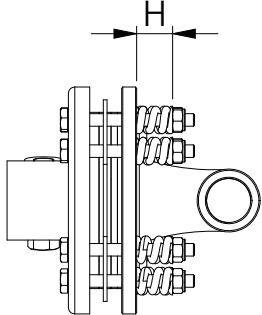




ITEM	PART NUMBER	DESCRIPTION	REMARKS	QUA
1	494.911.970	Draw bar		1
2	2282906	Top link		1
3	2490830	Pin d.25		1
4	523.051.000	R-clip Round 5, DIN 11024		1
5	470.203.354	Towing hook		1
6	802.200.650	Bolt M20 x 65 - ISO 4014		4
7	830.200.200	Self Lock Nut M20 Din 985 h=17		4
8	2283017	Spindle assembly P560		1
9	541.174.850	Hose, TL=4850 HST10 PGLO1018+PN108		2
10	874.210.020	Copper washer 1_2		2
11	545.210.800	Quick connector male 1/2"		2
12	830.160.160	Self Lock Nut M16-ISO 10511 Class 10		8
13	802.161.000	Bolt M16 x 100 - ISO 4014		8
14	831.160.160	Self Lock Nut M16x1.5 - ISO 10511		10
15	804.160.500	Bolt M16 x 50 - ISO 4017		8
16	808.010.060	Hex Bolt 1"-8x6" UNC - ANSI B18.2.1		4
17	838.010.220	Self Lock Nut 1 inch UNC - DIN 985		6
18	808.010.051	Hex Bolt 1"-8x5" UNC - ANSI B18.2.1		2
19	830.080.080	Self Lock Nut M8 - ISO 10511		13
20	802.080.450	Bolt M8 x 45 - ISO 4014		4
21	864.270.040	Washer DIN 125 - A 27		4
22	494.064.215	Static frame VD7621		1
23	494.094.162	Rotating frame		1
24	519.050.919	Wheel shaft 50x50 L=1900		1
25	464.151.600	Wheel axle lock plate		2
26	534.353.000	Hydraulic Cylinder 30-60, Stroke 300mm		1
27	544.172.400	Cavity Bolt 3/8"		4
28	549.170.044	Banyo connector 3/8" straight		2
29	544.170.122	Straight nipple BSP 3/8" x pipe 12-(M18)		4
30	874.170.020	Copper washer 3_8		12
31	549.170.043	Banyo connector 3/8" straight		2
32	535.401.001	Pressure controlled one way valve 3/8"		2
33	544.170.120	Nipple BSP 3_8" x pipe 12 (M18)		4
34	412.260.150	Distance bush		4
35	511.660.305	Wheel 26x12 inch complete		2
36	544.124.125	T-Connector 12x12x12		2
37	541.170.575	Hose TL=575 HST10 PGLO1018 + PGLO101890		2
38	541.172.000	Hose TL=2000 HST10 PGLO1018 + PGLO101890		2
39	464.042.560	Bracket		1
40	547.180.180	Hose clamp double 18mm		4
41	547.300.510	Cover plate hose clamp 2x15 - 2x18		12
42	802.080.500	Bolt M8 x 50 - ISO 4014		6
43	402.080.180	Bush Ø20xØ9x18		4
44	547.150.150	Hose clamp 2x15mm		6
45	830.080.080	Self Lock Nut M8 - ISO 10511		7
46	802.080.600	Bolt M8 x 60 - ISO 4014		3
47	541.132.502	Hose NSK6-1/4" TL=2500 PN68 + PN64		2
	211.762.104	Optional bogey kit 7621		
	211.762.008	Optional hydraulic brake axle		



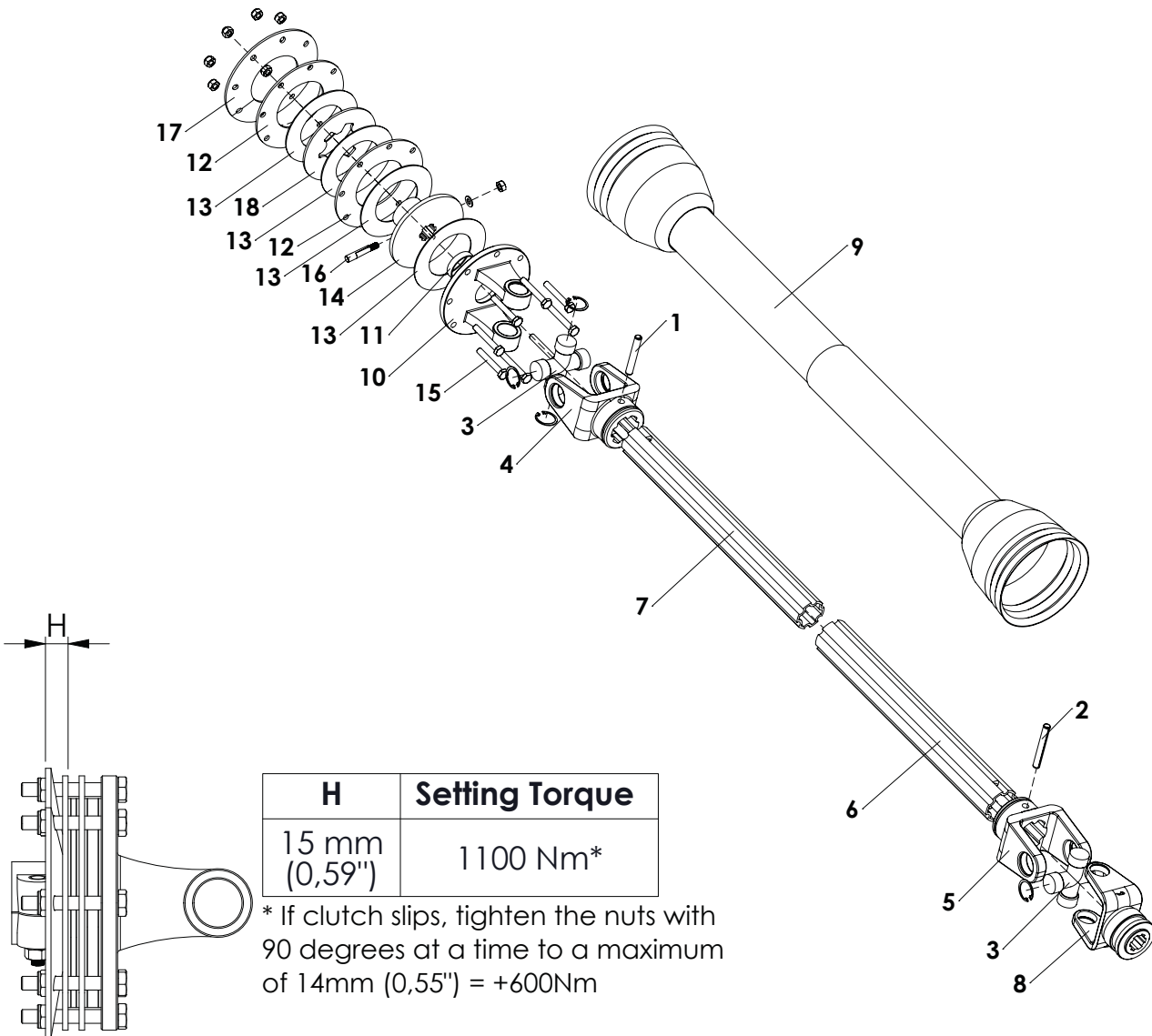
H	Setting Torque
31.5 mm (1.12")	1050 Nm*



* If clutch slips, tighten the nuts with 90 degrees at a time to a maximum of 30.5mm (1.2") = +400Nm

ALWAYS deburr parts when cut
MEASURE correct length of PTO first
MAINTAIN slipclutch every month
NEVER USE PTO over 30 degrees
SLIPCLUTCH always on machine side

ITEM	PART NUMBER	DESCRIPTION	REMARKS	QUA
1	BEN F1B08	Flange yoke		1
2	BEN F060	Bush		1
3	BEN F334	Hub		1
4	BEN 90934	Conic bolt and nut		1
5	BEN F030/S	Lining ring		4
6	BEN F070	Inner plate		2
7	BEN F1180	Pressure plate		1
8	BEN F0110	Spring		8
9	BEN F10100	Bolt and nut		8
10	BEN F080	Drive plate with hexagon		1
11	190000243	Outer roll pin		2
12	BEN PT140150	End yoke with quick lock		1
13	BEN PT140518	Inner tube yoke		1
14	BEN PT147350	Outer tube yoke		1
15	BEN PT155479	Universal joint assembled		2
16	BEN PT155954	Inner tube	Cut to correct length	1
17	BEN PT155956	Outer tube	Cut to correct length	1
18	BEN PT156265	Safety guard group	Cut to correct length	1
	611.811.200	PTO shaft type V-80 tl 1200		
	611.816.100	PTO shaft type V-80 tl 610		

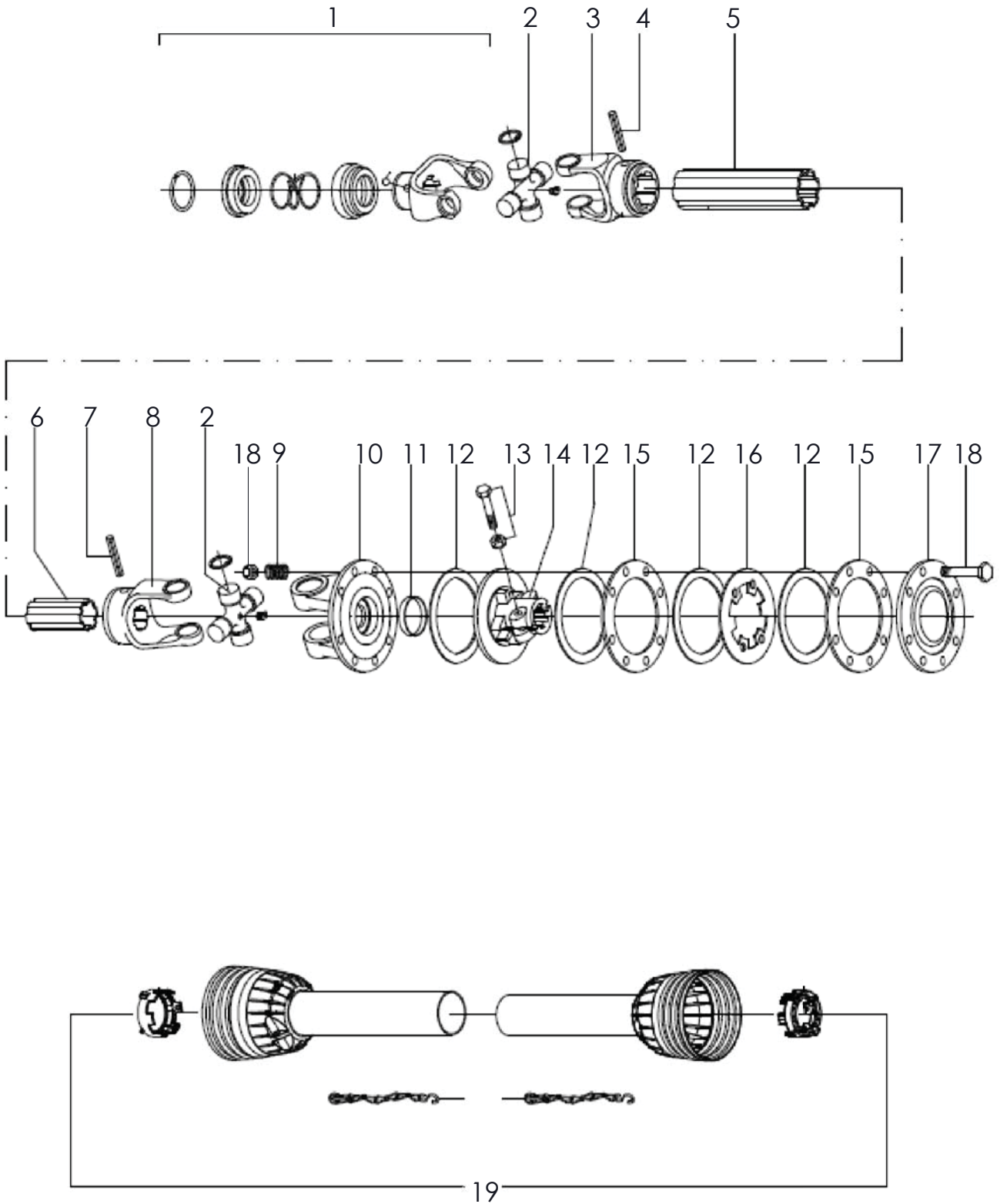


H	Setting Torque
15 mm (0,59")	1100 Nm*

* If clutch slips, tighten the nuts with 90 degrees at a time to a maximum of 14mm (0,55") = +600Nm

ALWAYS deburr parts when cut
MEASURE correct length of PTO first
MAINTAIN slipclutch every month
NEVER USE PTO over 30 degrees
SLIPCLUTCH always on machine side

ITEM	PART NUMBER	DESCRIPTION	REMARKS	QUA
1	190000271	Inner roll pin		1
2	190000243	Outer roll pin		1
3	180018004	Cross and 4x circlip kit		2
4	1510182421	Inner tube yoke		1
5	1510182411	Outer tube yoke		1
6	1522802160700	V-series Outer tube	Cut to correct length	1
7	153280116	V-series Inner tube	Cut to correct length	1
8	1410284231	Complete collar yoke		1
9	1423800169851	Complete shield		1
10	1510180161	Flanged yoke		1
11	180019019	Bush		1
12	180017430	Pressure plate		2
13	180019018	Lining ring		4
14	1510194181	Clutch support T48		1
15	165000857	Bolt & nut M10x1,5x70		8
16	165000589	Tapered Pin 1 3/4" kit	Retighten every 40 hours	1
17	180017451	Belleville spring		1
18	180019115	Intermediate plate		1
	613.806.100	Complete V80 PTO		
	613.801.200	Complete V80 PTO for boggy		



ITEM	PART NUMBER	DESCRIPTION	REMARKS	QUA
1	141028423	Complete collar yoke C12		1
2	180018004	Cross and 4x circlip kit		2
3	151018241	Outer yoke		1
4	190000243	Roll pin for outer tube		1
5	1522802030730	Outer tube	7626	1
	1522802140730	Outer tube	7626H (For use with wheelkit)	1
6	159280185	Inner tube	7626	1
	159280192	Inner tube	7626H (For use with wheelkit)	1
7	190000271	Roll pin for inner tube		1
8	151018242	Inner yoke		1
9	180014022	Spring		8
10	151018016	Flanged yoke		1
11	180019019	Bush		1
12	180019018	Lining ring		4
13	165000503	Bolt & Nut		2
14	151019012	Clutch support F44		1
15	180019014	Inner plate		2
16	180019115	Intermediate plate		1
17	180019116	Pressure plate		1
18	165000548	Bolt & Nut		8
19	1423800379850	Complete guard	7626	1
	1423800299850	Complete guard	7626H (For use with wheelkit)	1
	613.806.100	Complete PTO 7626		
	613.801.200	Complete PTO 7626H	For use with wheelkit	
		ALWAYS deburr parts when cut		
		MEASURE correct length of PTO first		
		MAINTAIN slipclutch every month		
		NEVER use PTO over 30 degrees angle		
		SLIPCLUTCH always on machine side		