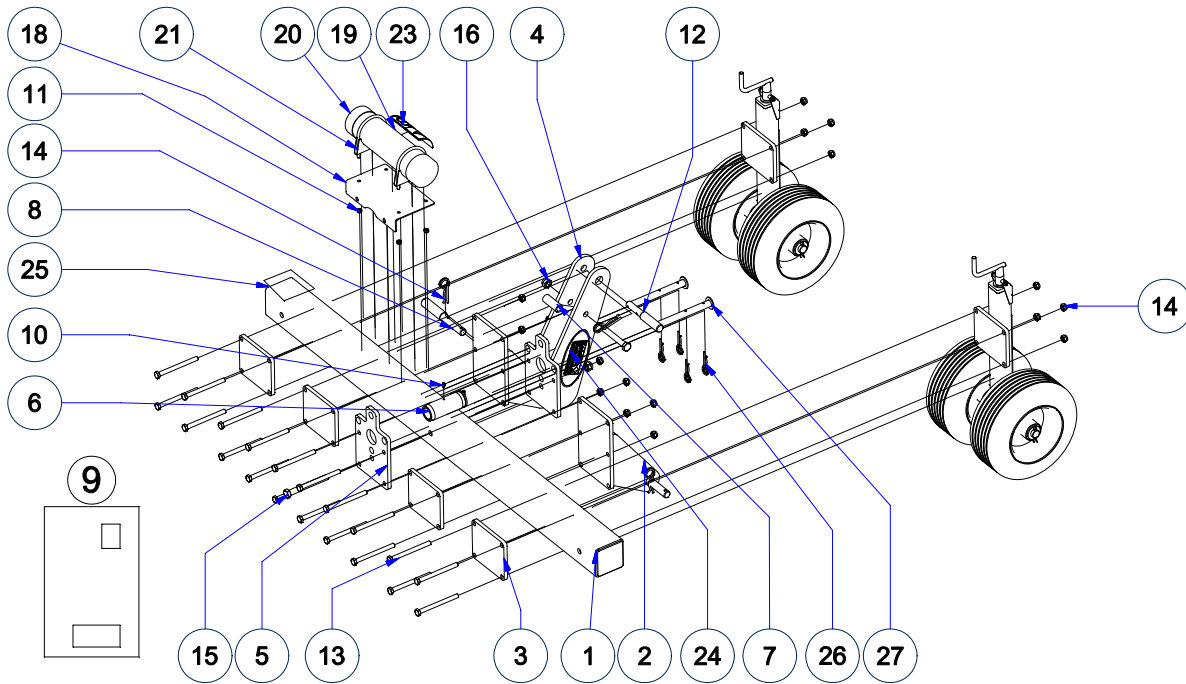


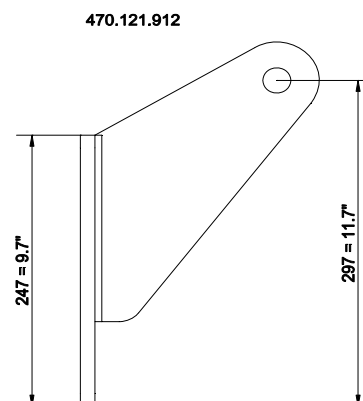
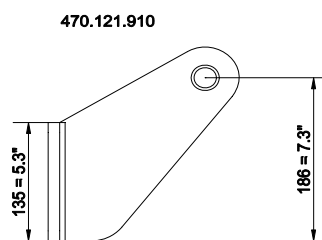
Parts manual

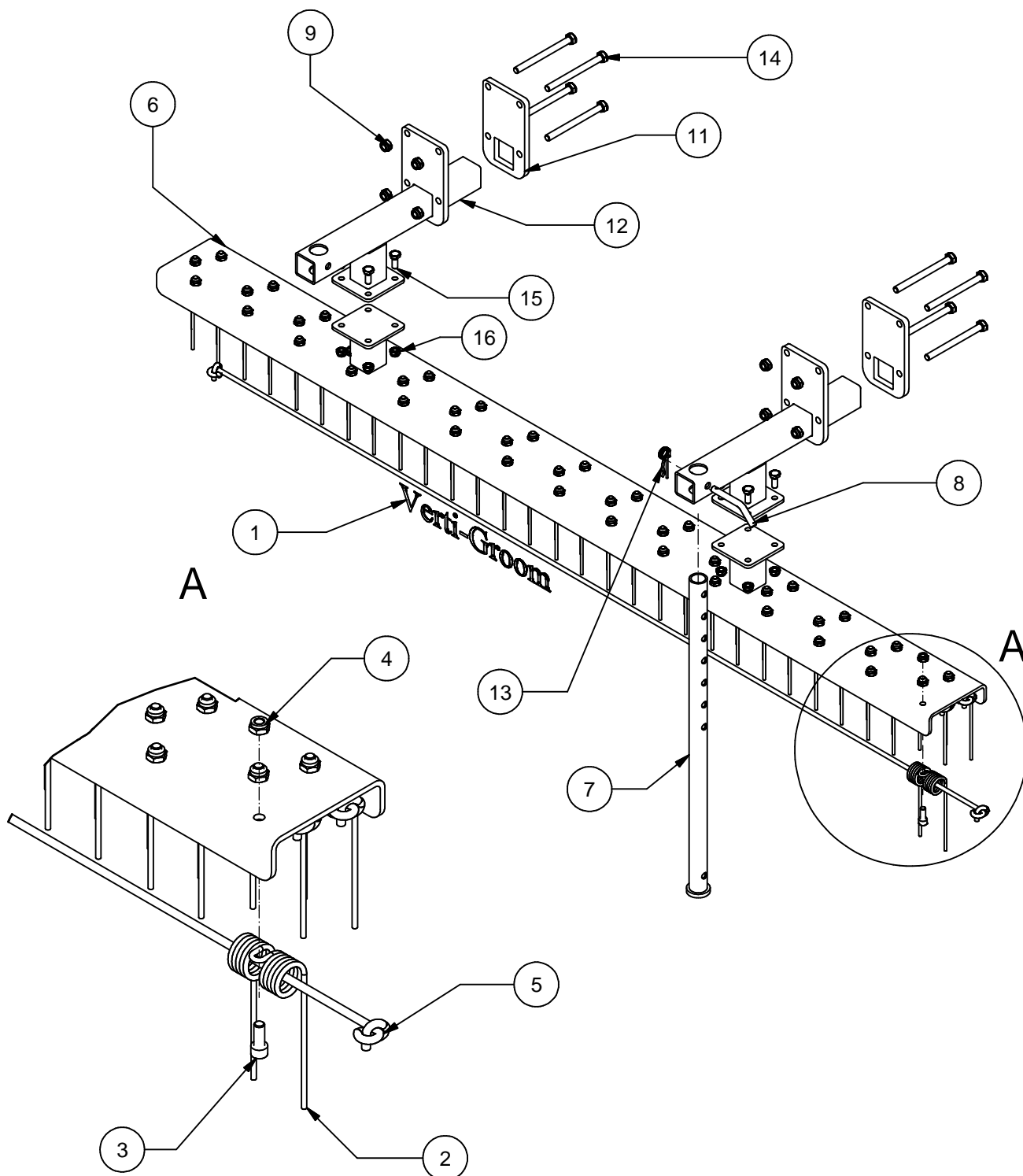




Redexim-Charterhouse Verti-Groom pag 02 code 1421

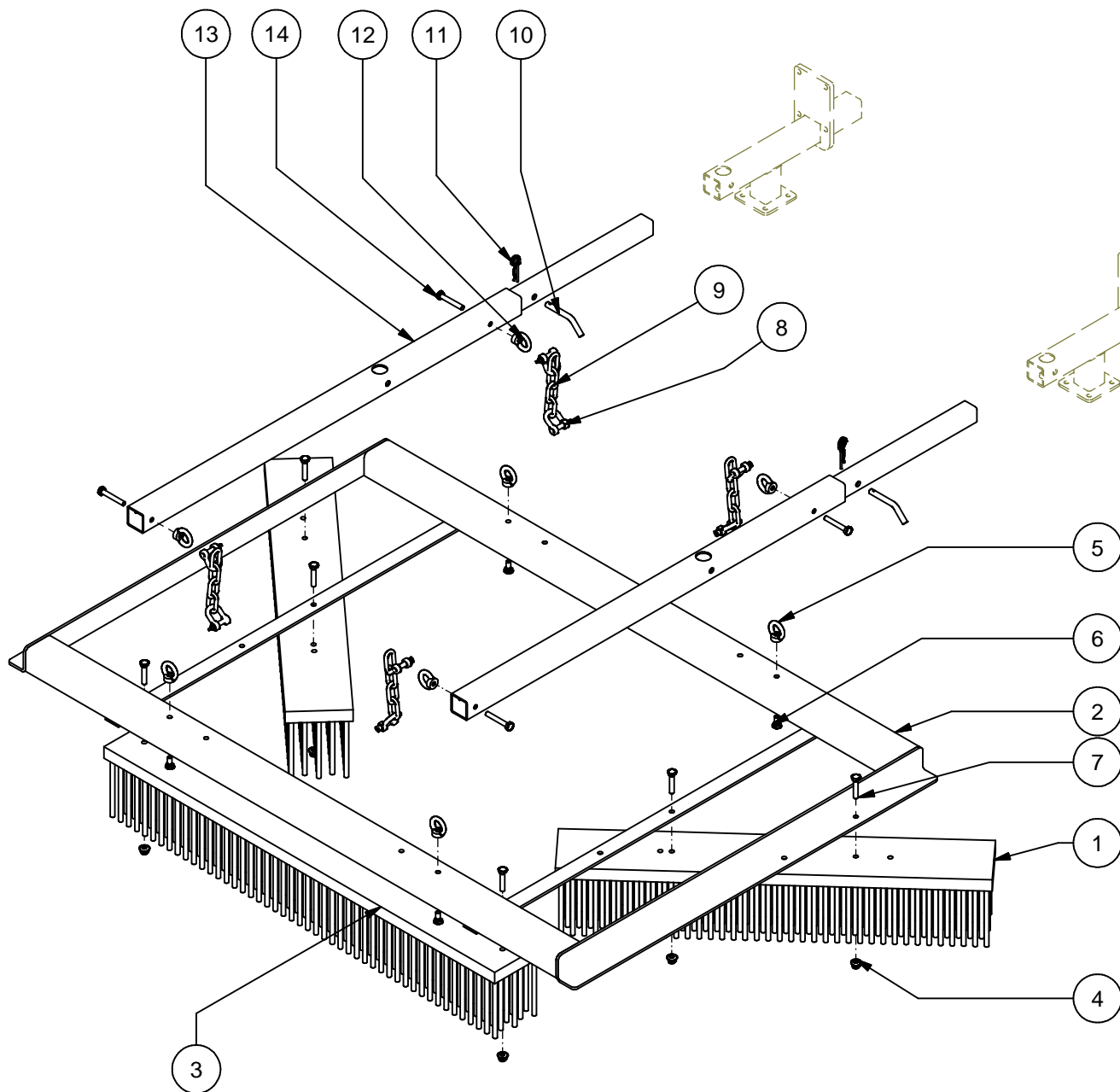
	PART #	DESCRIPTION	REMARKS	QUA
1	462.109.170	Main beam		1
2	470.121.912	Bottom link assy	Large model	2
	470.121.910	Bottom link assy	Small model	2
3	468.121.350	Mounting plate square 135		4
4	470.124.850	Top link assy		1
5	470.801.850	Pivot lock		1
6	404.501.240	Pivot bush		1
7	476.250.660	Distance bush 3 point		1
8	521.221.600	3 point pin		2
9	961.120.200	Manual		2
10	880.060.100	Grease nipple		1
11	523.051.000	R-Clip		3
12	521.191.600	Top link pin		1
13	802.121.400	Bolt M12 x 140		20
14	830.120.120	Self lock nut M12		20
15	802.160.140	Bolt M16 x 140		1
16	830.160.160	Self lock nut M16		2
17	802.161.100	Bolt M16 x 110		1
18	468.031.430	Mounting plate manual tube		1
19	991.143.400	Manual / Toolbox empty		1
20	991.140.600	Cover toolbox		2
21	848.901.200	U-bolt complete		2
22	830.080.080	Self lock nut M8		4
23	900.280.402	Safety label Manual		1
24	900.260.403	Logo Label Redexim		1
25	933.280.402	Safety Label		2
26	474.202.000	Lock Pin		2
27	523.030.750	R-Clip D=4 Din 11024		4





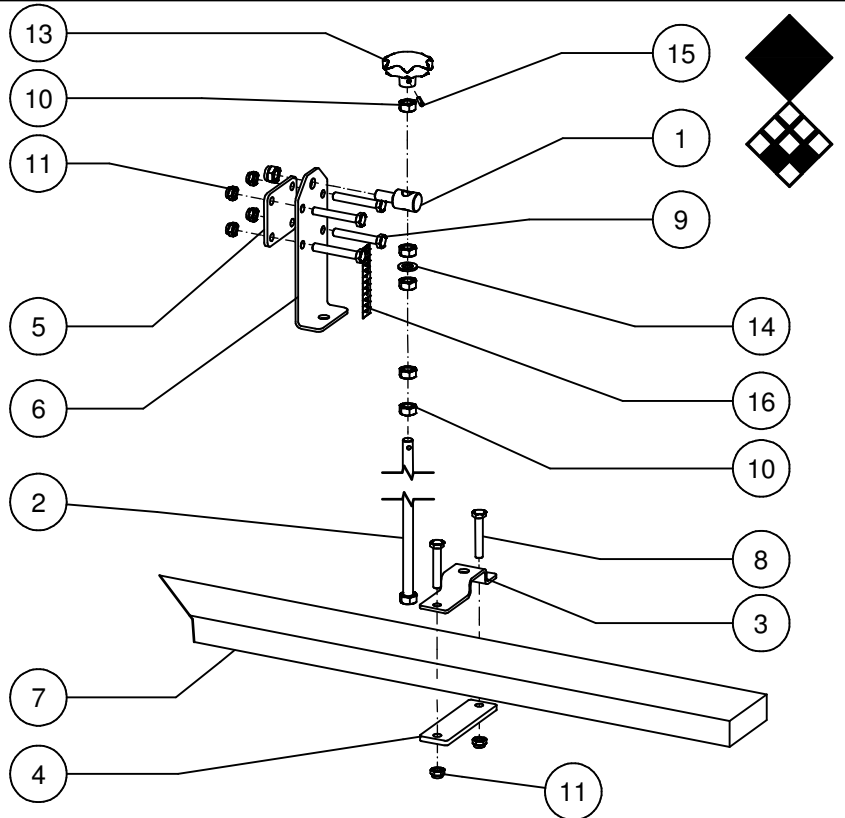
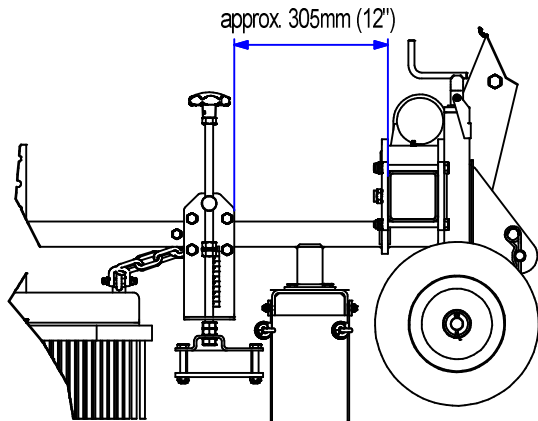
	PART #	DESCRIPTION	REMARKS	QUA
1	946.260.400	Label Verti-Groom		1
2	361.105.170	Spring Tine Heavy Duty		45
3	814.100.250	Bolt DIN 912 - M10 x 25		45
4	830.100.100	SL Nut DIN 985 - M10		45
5	899.080.200	Rope		3
6	494.202.015	Heavy Duty Rake Beam VG		1
7	460.445.530	Storage Stand		1
8	424.121.100	Lock Pin		1
9	830.120.120	SL Nut DIN 985 - M12		8
10	468.031.430	Mounting plate Manual Tube		1
11	468.121.820	Weld Mount Plate Storage Stand		2
12	494.043.010	Leg Verti-Groom short version		2
13	523.030.750	R-Clip D=4 Din 11024		1
14	802.121.400	Bolt DIN 931-1 - M12 x 140		8
15	804.100.250	Bolt DIN 933 - M10 x 25		8
16	830.100.100	SL Nut DIN 985 - M10		8

Redexim-Charterhouse Verti-Groom Option: Brush Kit Pag 04 Code 0940



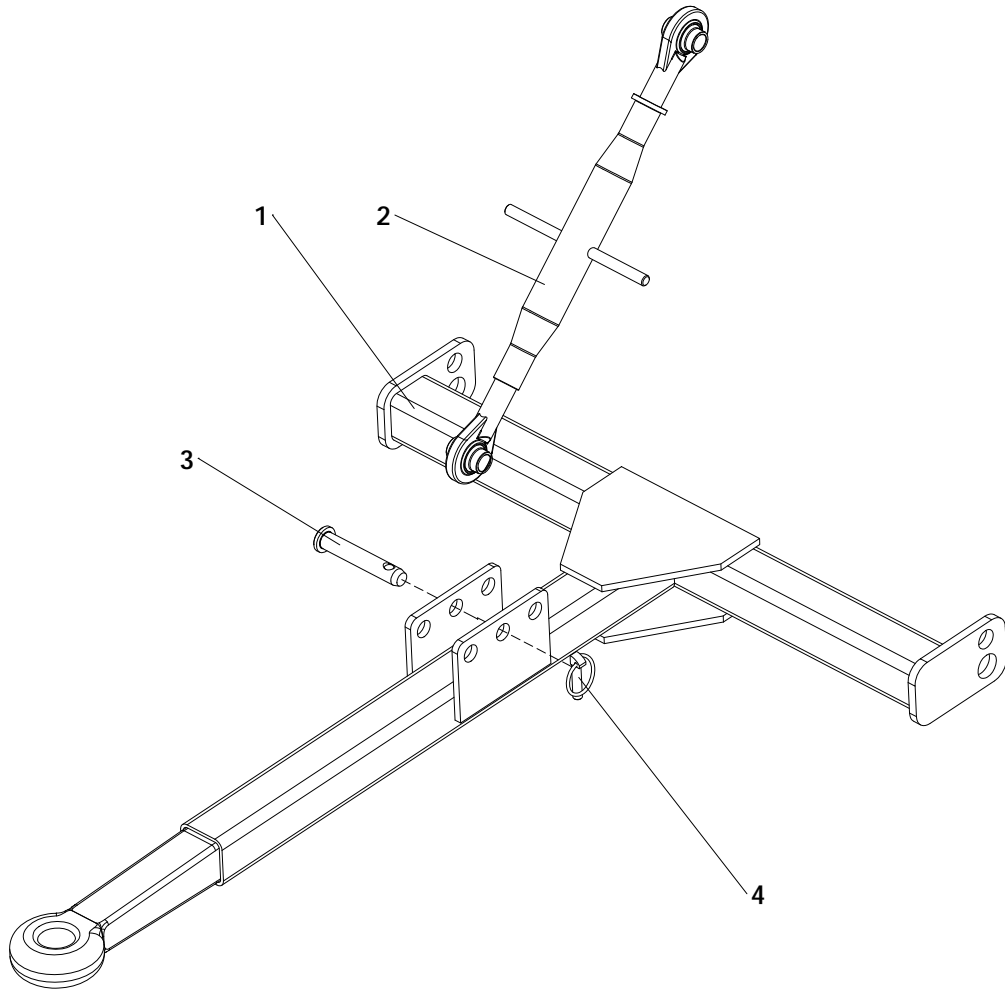
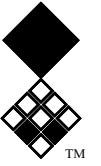
	PART #	DESCRIPTION	REMARKS	QUA
1	386.185.910	Brush 1500 For VR		2
2	494.099.911	Frame For Brush 2000 VR		1
3	386.185.912	Brush 2000 For VR		1
4	830.100.105	SL. Nut with Washer DIN 6926 - M10		6
5	822.100.360	Eye Nut DIN 582 - M10		4
6	804.100.200	Bolt DIN 933 - M10 x 20		4
7	804.100.500	Bolt DIN 933 - M10 x 50		6
8	846.100.471	D-Shackle 10		8
9	482.081.360	Chain Assy Verti-Rake		4
10	424.121.100	Lock Pin		2
11	523.030.750	R-Clip D=4 Din 11024		2
12	822.100.360	Eye Nut DIN 582 - M10		4
13	462.050.916	Leg for brush VG		2
14	802.100.650	Bolt DIN 931-1 - M10 x 65		4
	261.000.010	Rear Brush Kit VG	Complete kit contains nr 1 till 14	

Installation



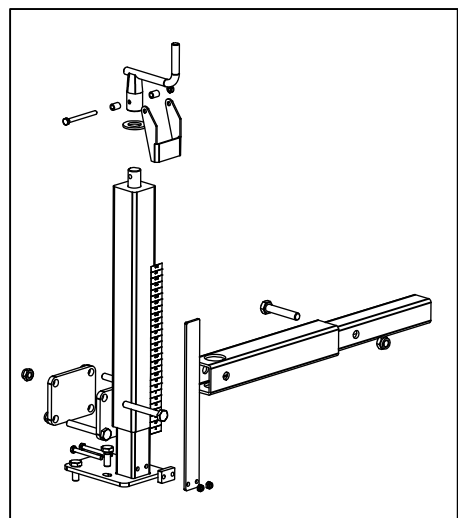
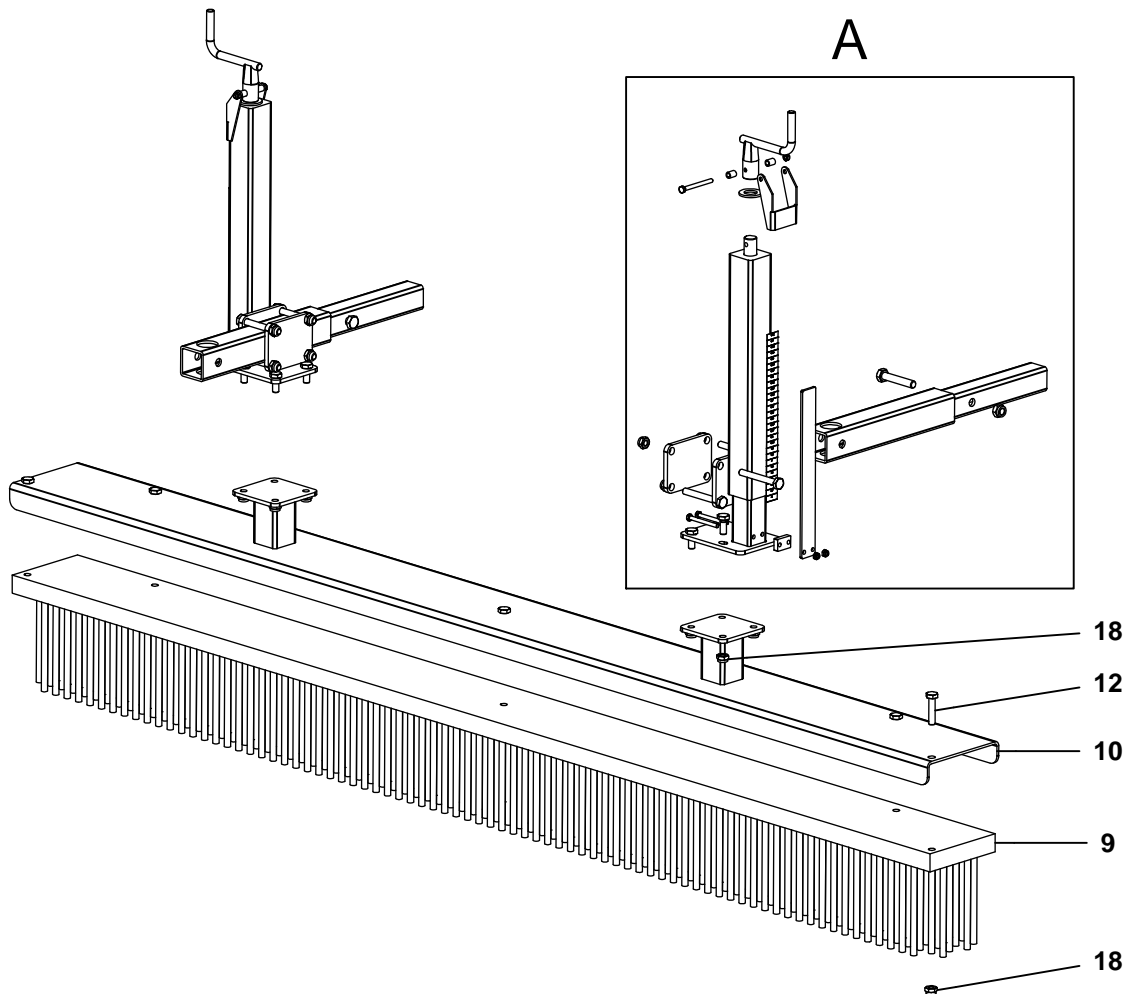
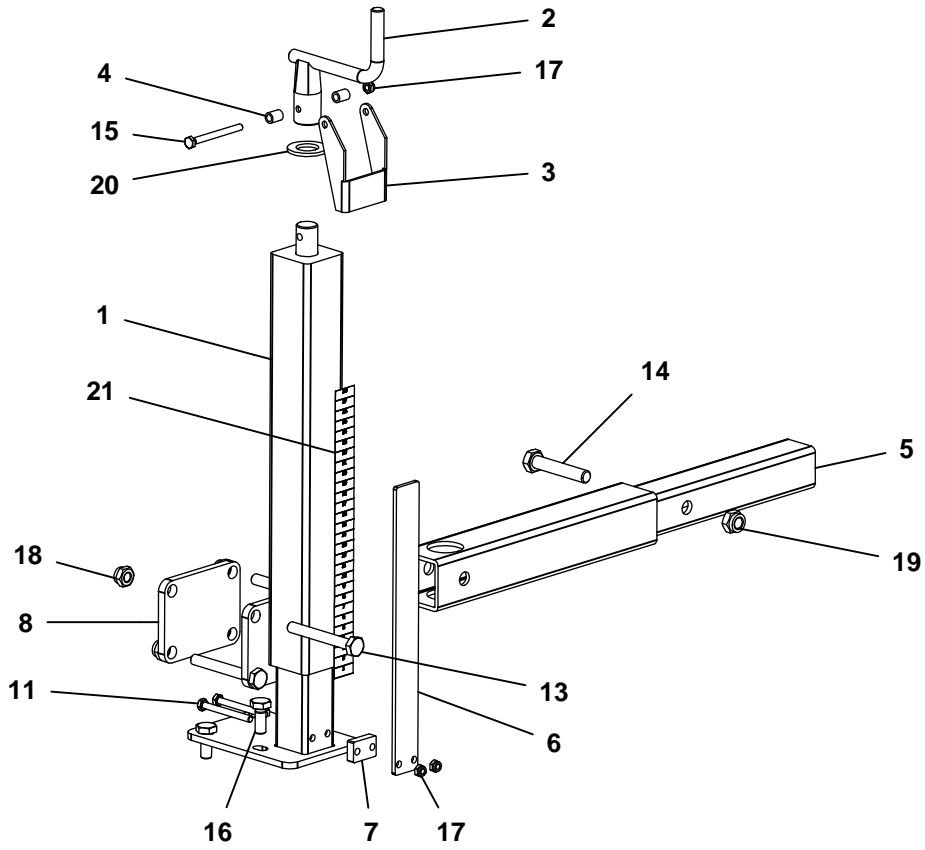
Redexim-Charterhouse Verti-Groom Magnetic Sweeper Pag 05 Code 1619

	PART #	DESCRIPTION	REMARKS	QUA
1	408.300.750	Front Roller Adjustment Bush VA2		2
2	426.164.720	Spindle		2
3	464.051.740	Clamp Bracket		2
4	464.081.740	Clamp Strip		2
5	468.061.000	Clamp Plate		2
6	468.062.000	Spindle Plate		2
7	498.213.013	Magnetic Bar Verti-Groom		1
8	802.120.700	Bolt DIN 931-1 - M12 x 70		4
9	802.120.800	Bolt DIN 931-1 - M12 x 80		8
10	826.160.160	Nut DIN 934 - M16		10
11	830.120.120	SL Nut DIN 985 - M12		12
12	830.160.160	SL Nut DIN 985 - M16		2
13	836.160.502	Knurled Knob		2
14	864.160.030	Washer DIN 125 - M16		2
15	878.060.260	Roll Pin ISO 8752 - 6 x 26 A		2
16	900.260.414	Decall ruler 120	Cut to right size	2
	261.000.002	Verti-Groom Magnetic Sweeper	Complete kit contains nr 1 till 16	1



ITEM	PART NUMBER	DESCRIPTION	REMARKS	QUA
1	494.063.072	Drawbar Bogey		1
2	522.194.450	Toplink Cat. 1 L0=498 Stroke=200		1
3	521.191.120	3-Point Pin		1
4	523.100.570	Linch Pin d10		1
	261.000.000	Drawbar Kit	Consists of parts 1-4	

DETAIL A



	PART #	DESCRIPTION	REMARKS	QUA
1	460.505.702	Square Tube For Spindle		2
2	474.251.162	Lever Jack		2
3	468.031.180	Lock plate		2
4	402.070.140	Distance bush		4
5	462.050.505	Square Tube 40x40x5 L=295		2
6	464.042.800	Height Indicator Strip L=280		2
7	464.080.300	Distance Block		2
8	468.081.000	Mounting plate		2
9	486.152.040	Brush WL=155 L=2038		1
10	494.231.018	Brush beam R		1
11	802.060.600	Bolt DIN 931-1 - M6 x 60		4
12	802.100.450	Bolt DIN 931-1 - M10 x 45		5
13	802.100.800	Bolt DIN 931-1 - M10 x 80		8
14	802.120.650	Bolt DIN 931-1 - M12 x 65		2
15	804.060.650	Bolt DIN 933 - M6 x 65		2
16	804.100.250	Bolt DIN 933 - M10 x 25		8
17	830.060.060	SL Nut DIN 985 - M6		6
18	830.100.100	SL Nut DIN 985 - M10		21
19	830.120.120	SL Nut DIN 985 - M12		2
20	864.200.030	Washer DIN 125 - M20		2
21	900.260.414	Decall ruler		2