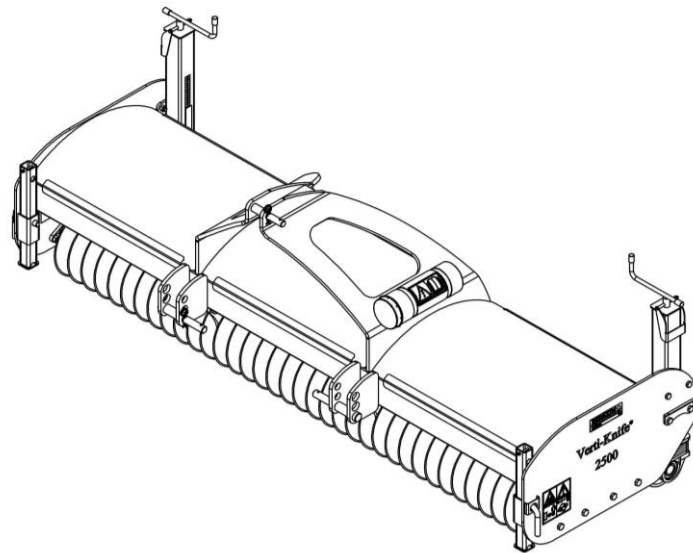


Parts manual

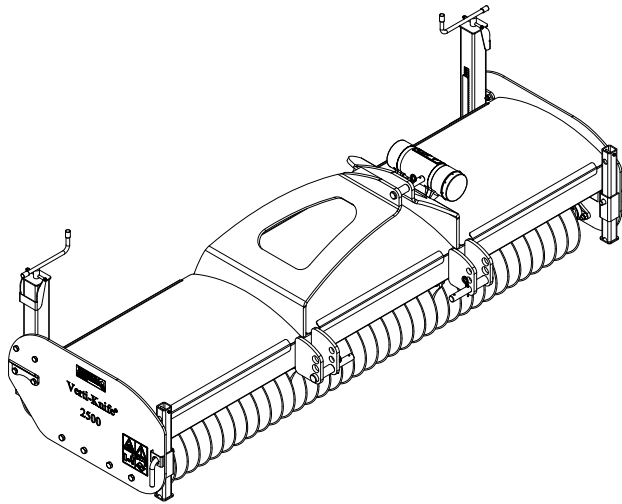
Redexim 

Verti-Knife® 2500

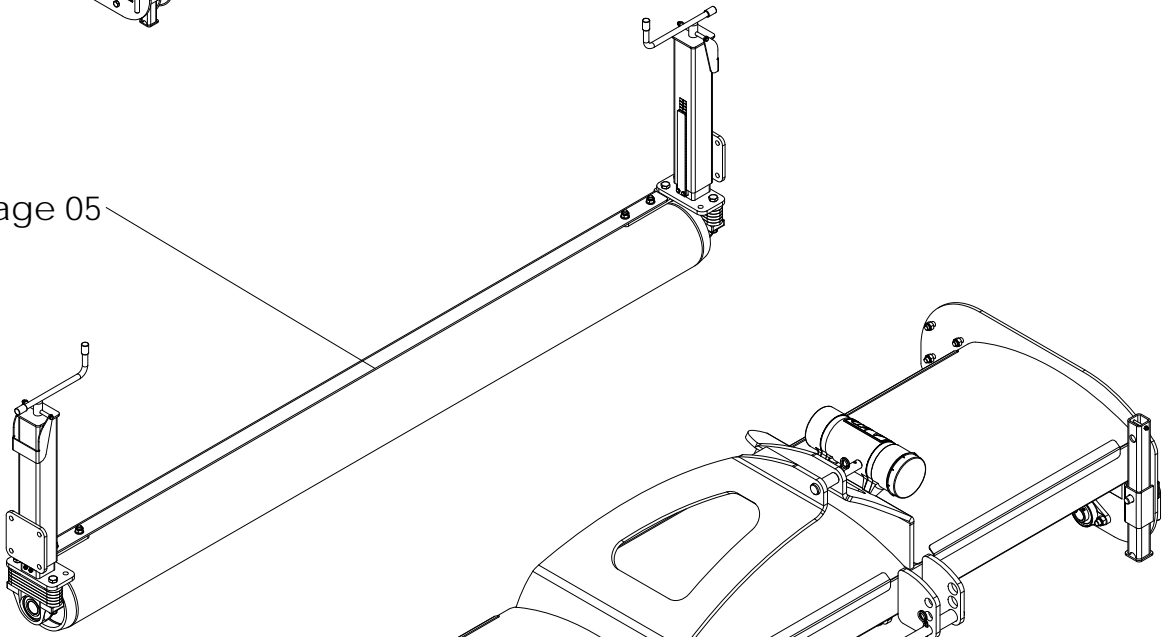


From serial number:
C2195507

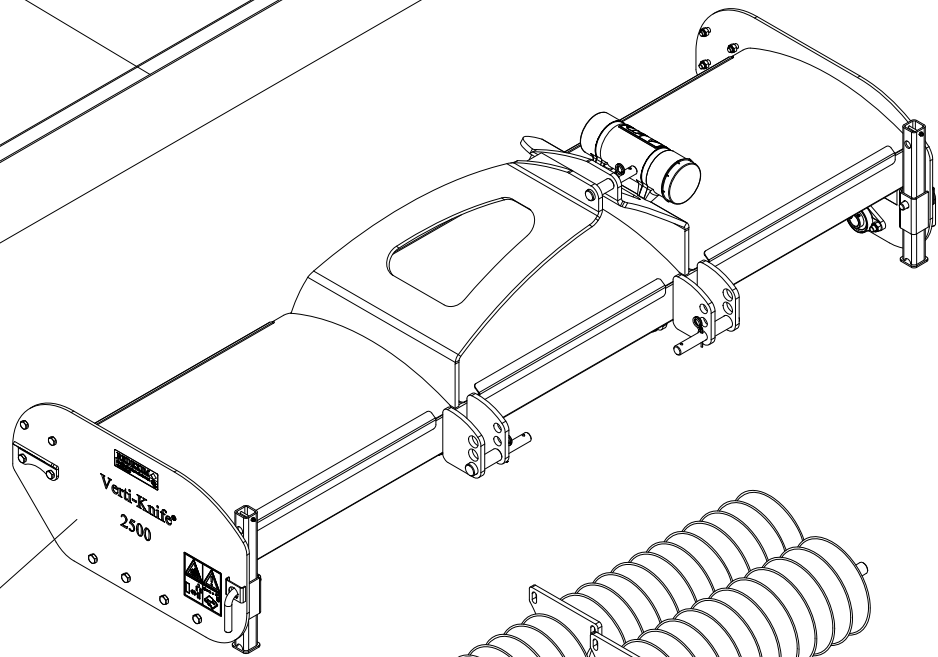
REDEXIM
Kwekerijweg 8
3709JA - Zeist - The Netherlands
T: +31 (0)306 933 227
E: verti-drain@redexim.com
www.redexim.com



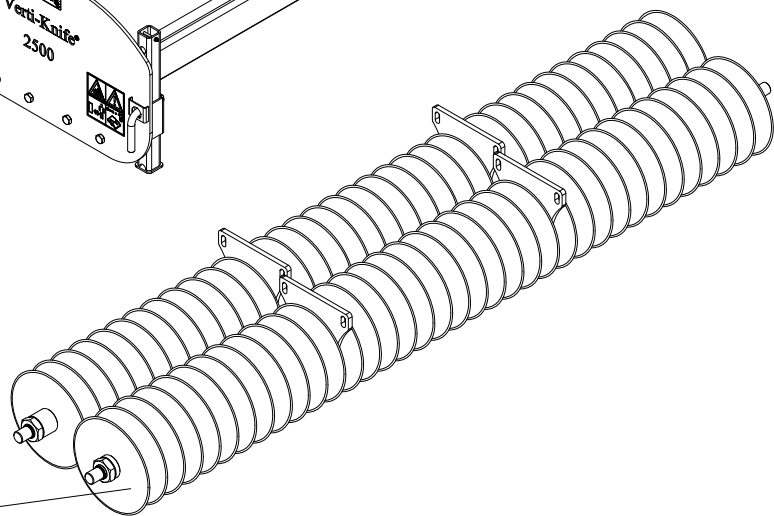
Page 05



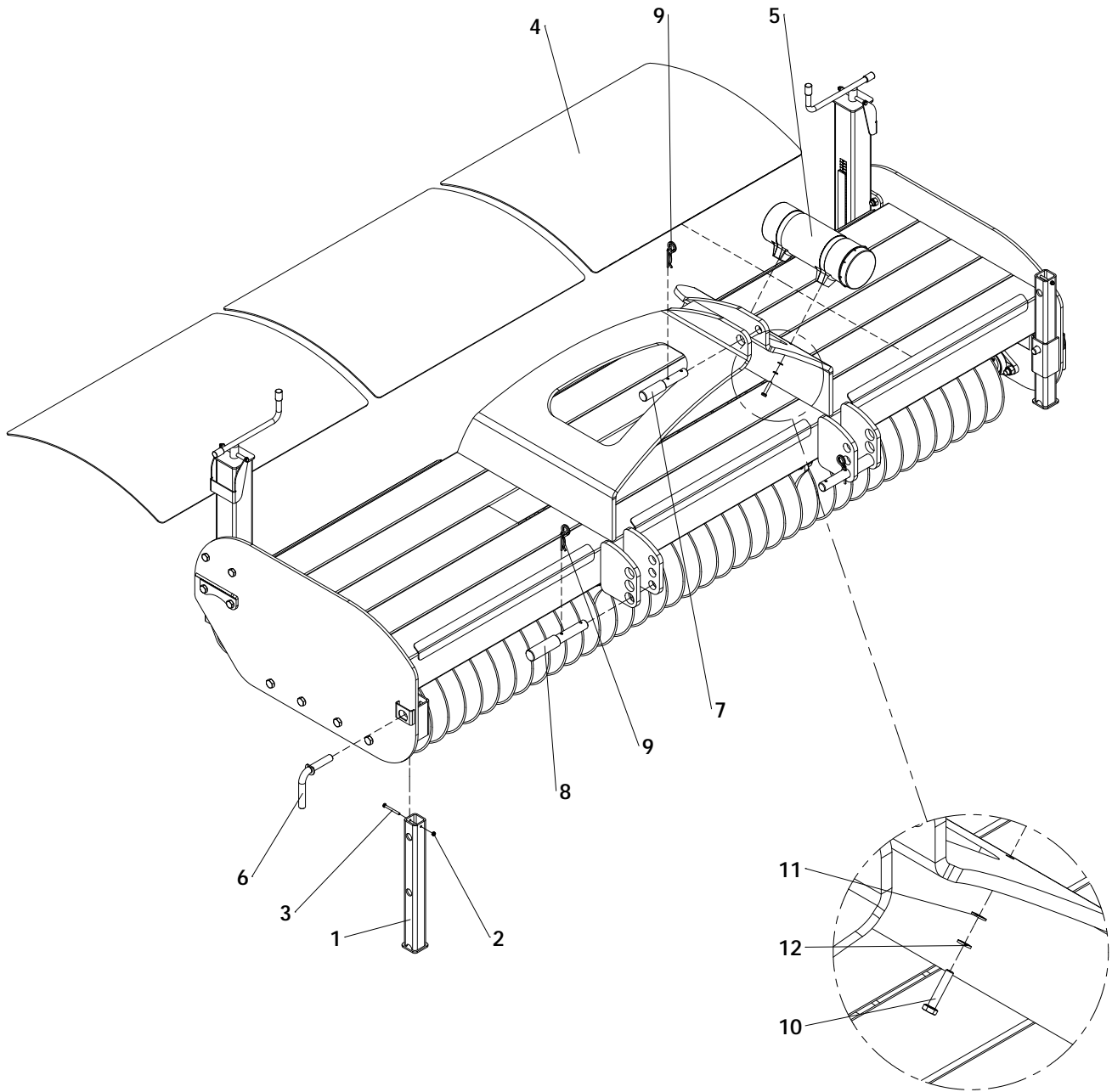
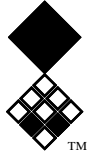
Page 02-03



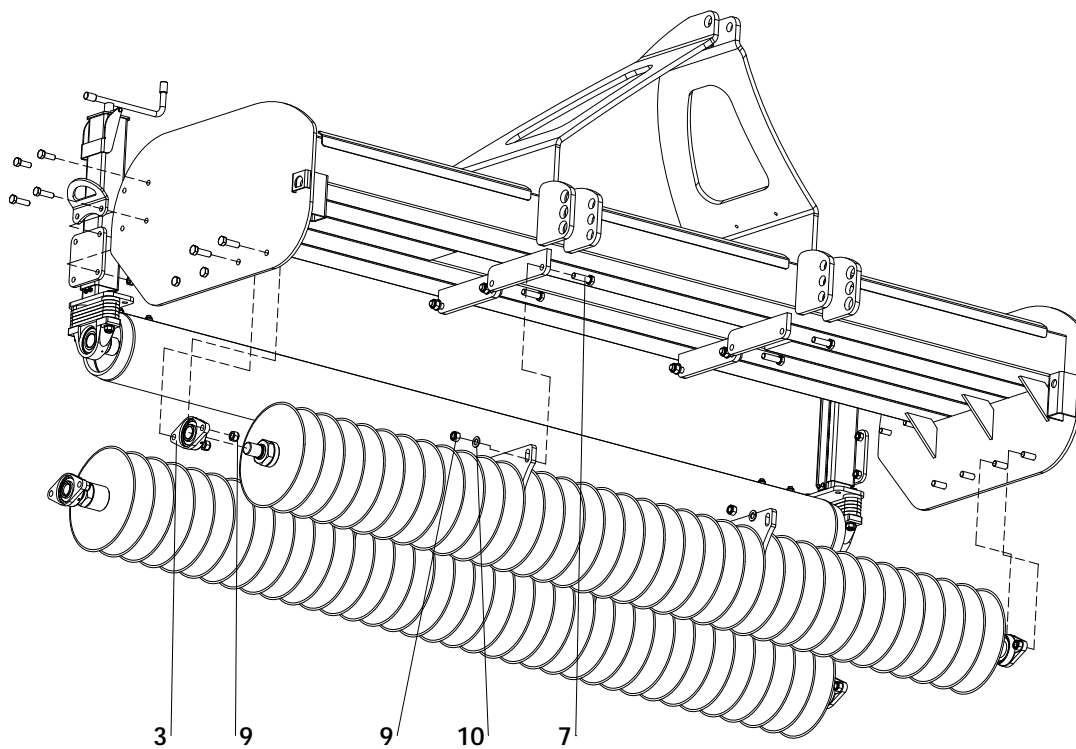
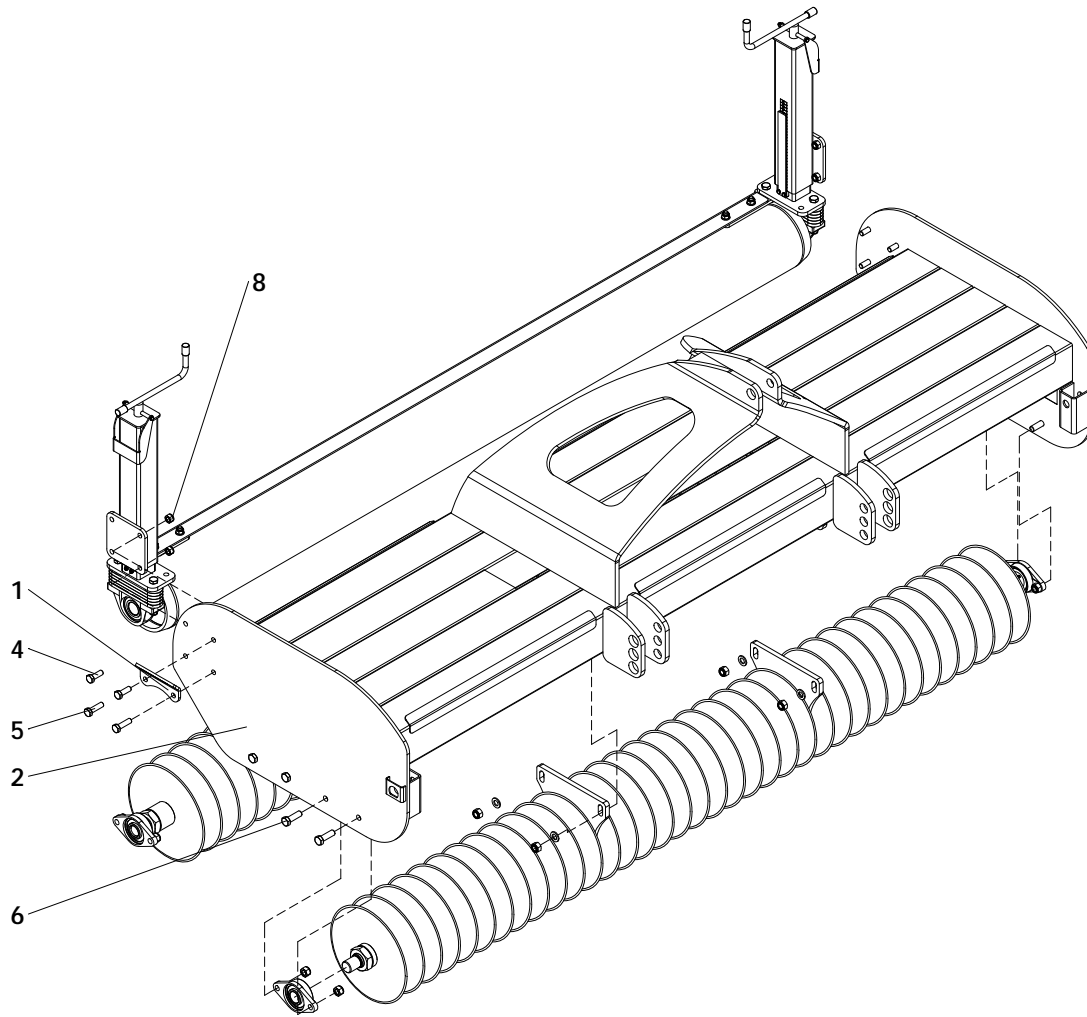
Page 04



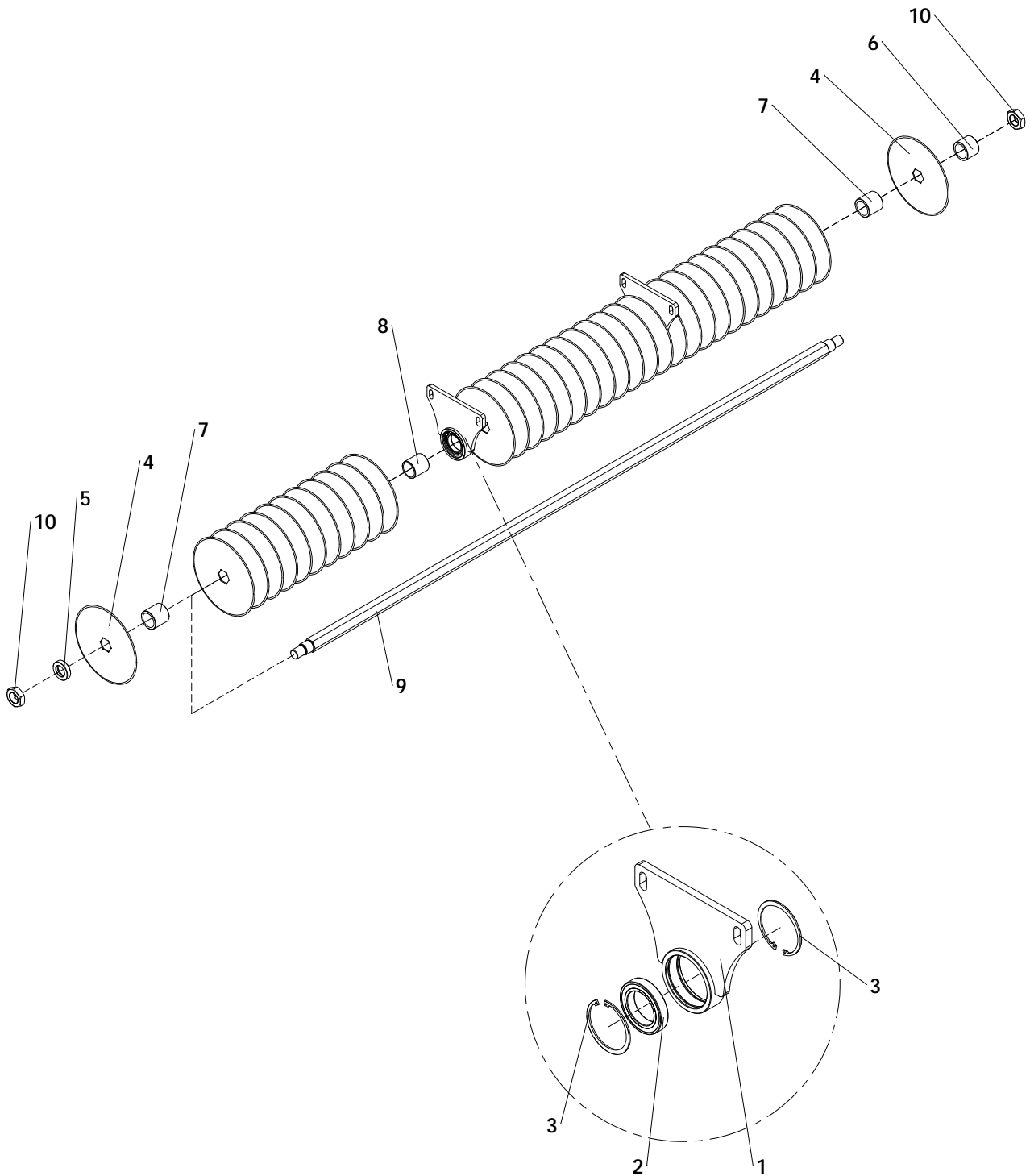
Decalls: Page 06



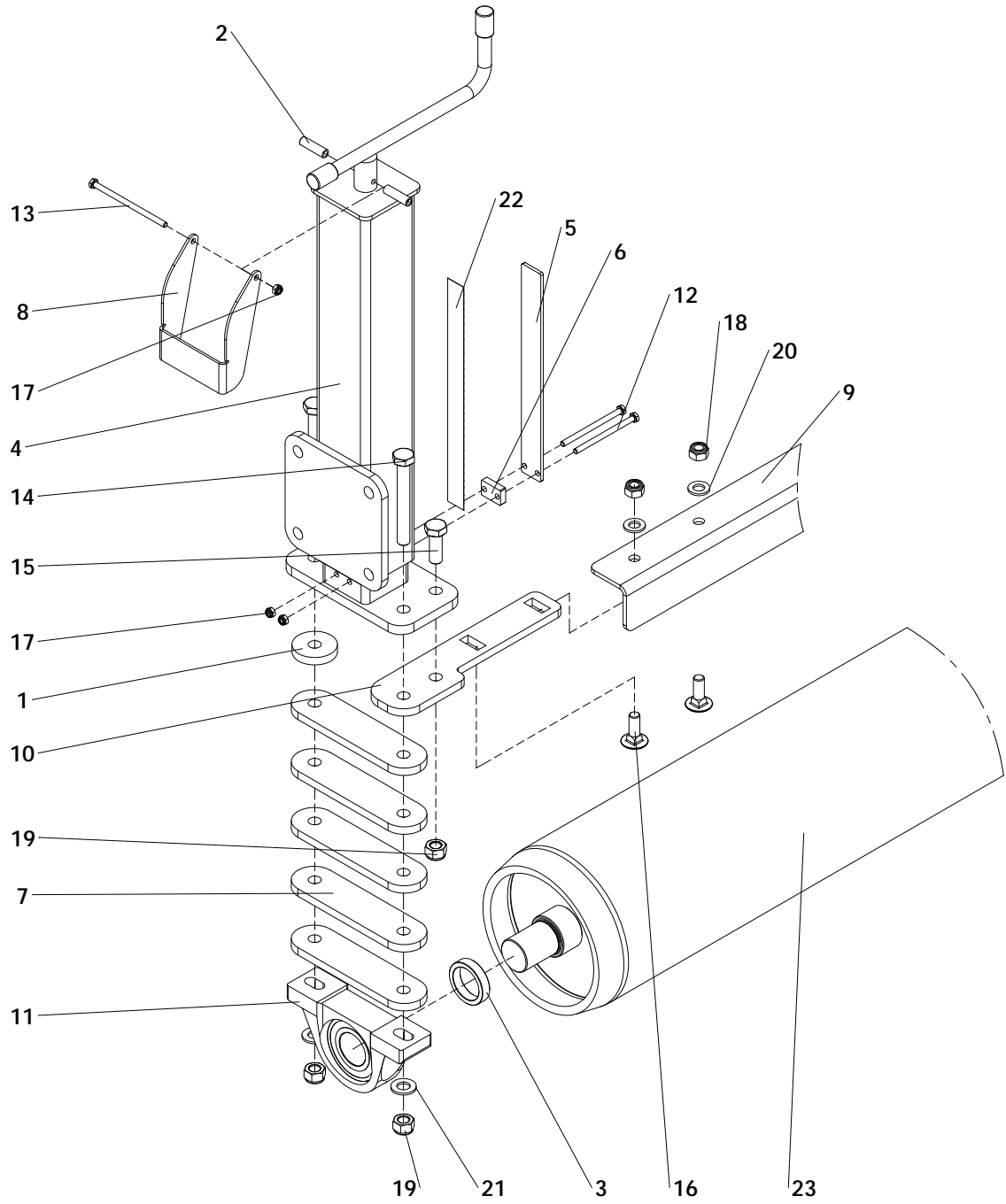
| ITEM | PART NUMBER | DESCRIPTION | REMARKS | QUA |
|------|-------------|------------------------------|---------|-----|
| 1 | 460.504.552 | Jack stand 50x50 L=455 | | 2 |
| 2 | 830.060.060 | Self Lock Nut M6 - ISO 10511 | | 2 |
| 3 | 802.060.600 | Bolt M6 x 60 - ISO 4014 | | 2 |
| 4 | 444.048.700 | Cover plate | | 3 |
| 5 | 444.803.100 | Toolbox Complete | | 1 |
| 6 | 474.201.320 | Lock pin | | 2 |
| 7 | 521.321.780 | Toplink pin cat. 2/3 | | 1 |
| 8 | 521.372.300 | Cat 2&3 bottom link pin | | 2 |
| 9 | 523.051.000 | R-clip Round 6, DIN 11024 | | 3 |
| 10 | 802.080.400 | Bolt M8 x 40 - ISO 4014 | | 2 |
| 11 | 864.080.030 | Washer M8 - ISO 7089 | | 2 |
| 12 | 866.080.020 | Spring Washer M8 - DIN 127 | | 2 |



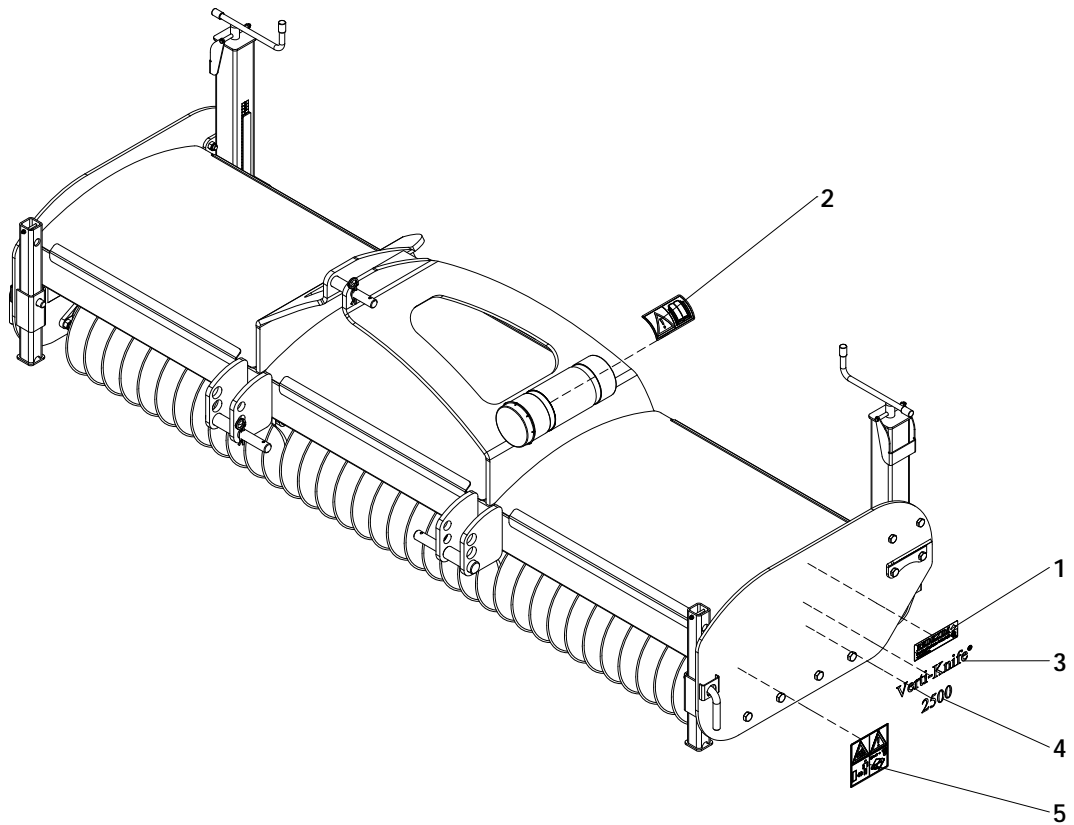
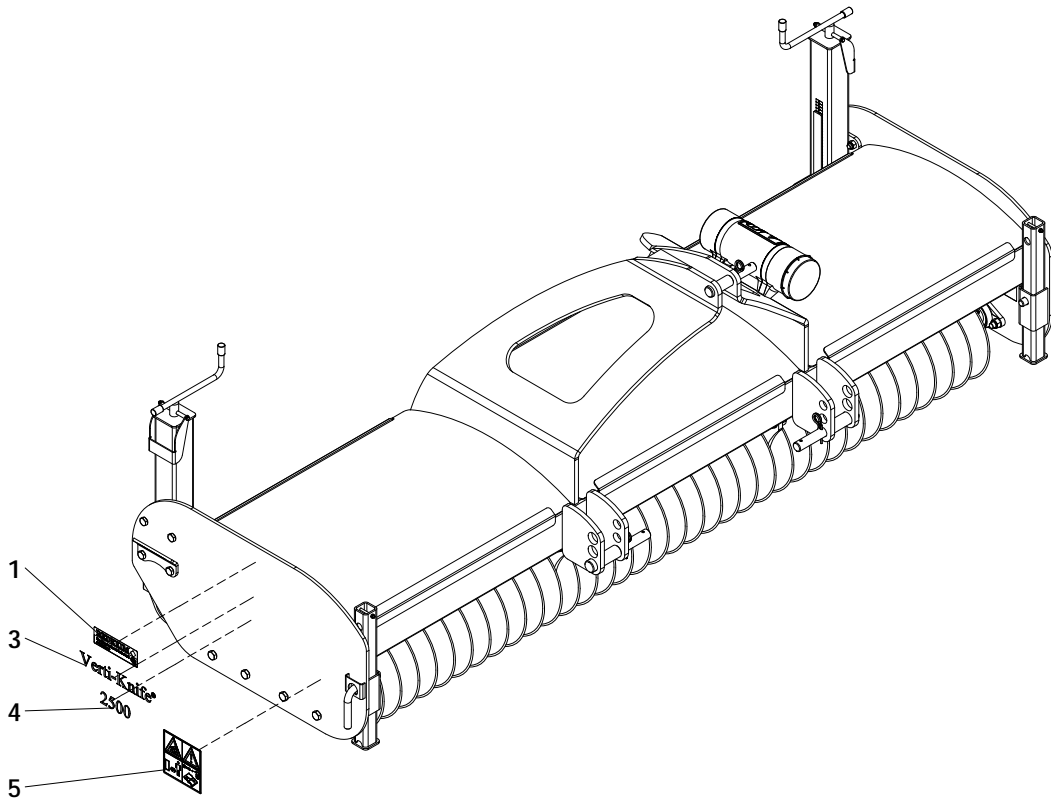
| ITEM | PART NUMBER | DESCRIPTION | REMARKS | QUA |
|------|-------------|-------------------------------|---------|-----|
| 1 | 468.081.502 | Fixing Bracket | | 2 |
| 2 | 494.100.274 | Frame VK2500 | | 1 |
| 3 | 742.350.450 | Bearing UCFL 207 | | 4 |
| 4 | 804.140.400 | Bolt M14 x 40 - ISO 4017 | | 4 |
| 5 | 804.140.500 | Bolt M14 x 50 - ISO 4017 | | 4 |
| 6 | 804.160.500 | Bolt M16 x 50 - ISO 4017 | | 8 |
| 7 | 804.160.550 | Bolt M16 x 55 - ISO 4017 | | 8 |
| 8 | 830.140.140 | Self Lock Nut M14 - ISO 10511 | | 8 |
| 9 | 830.160.160 | Self Lock Nut M16 - ISO 10511 | | 16 |
| 10 | 864.160.030 | Washer M16 - ISO 7089 | | 8 |



| ITEM | PART NUMBER | DESCRIPTION | REMARKS | QUA |
|------|-------------|----------------------------------|------------------------|-----|
| 1 | 470.352.700 | Center bearing house | Qua per knife assembly | 2 |
| 2 | 713.650.180 | Bearing 6013 2RSR | Qua per knife assembly | 2 |
| 3 | 872.100.300 | Circlip D=100 - DIN 472 | Qua per knife assembly | 4 |
| 4 | 311.303.302 | Disc Ø300 / 3mm | Qua per knife assembly | 36 |
| 5 | 404.420.170 | Base spacer | Qua per knife assembly | 1 |
| 6 | 406.540.550 | Distance bush Ø70/Ø54 L=55 | Qua per knife assembly | 1 |
| 7 | 406.540.670 | Spacer bush Ø70/Ø54 L=67 | Qua per knife assembly | 33 |
| 8 | 406.540.672 | Bearing center bush Ø65/Ø54 L=67 | Qua per knife assembly | 2 |
| 9 | 422.469.270 | Disc shaft VK | Qua per knife assembly | 1 |
| 10 | 828.420.210 | Low Nut M42 x 1.5 Fine - DIN 439 | Qua per knife assembly | 2 |



| ITEM | PART NUMBER | DESCRIPTION | REMARKS | QUA |
|------|-------------|-------------------------------|---------|-----|
| 1 | 402.150.100 | Distance bush Ø14.5/Ø50 L=10 | | 2 |
| 2 | 406.060.350 | Distance bush Ø10/Ø6.5 L=35 | | 4 |
| 3 | 406.400.120 | Distance bush Ø52/Ø40 L=11.5 | | 2 |
| 4 | 460.806.702 | Jack 80x80 | | 2 |
| 5 | 464.042.800 | Height indicator strip | | 2 |
| 6 | 464.080.300 | Distance Block | | 2 |
| 7 | 464.101.904 | Bearing spacer d=10 | | 10 |
| 8 | 468.031.330 | Spindle lock 80 | | 2 |
| 9 | 468.059.240 | Scraper 50x50x5 L=2440 | | 1 |
| 10 | 468.102.700 | Scraper support | | 2 |
| 11 | 743.400.530 | Bearing PASEY40-N | | 2 |
| 12 | 802.060.900 | Bolt M6 x 90 - ISO 4014 | | 4 |
| 13 | 802.061.100 | Bolt M6 x 110 - ISO 4014 | | 2 |
| 14 | 802.141.100 | Bolt M14 x 110 - ISO 4014 | | 4 |
| 15 | 804.140.400 | Bolt M14 x 40 - ISO 4017 | | 2 |
| 16 | 820.120.350 | MH Bolt M12 x 35 ISO 8677 | | 4 |
| 17 | 830.060.060 | Self Lock Nut M6 - ISO 10511 | | 6 |
| 18 | 830.120.120 | Self Lock Nut M12 - ISO 10511 | | 4 |
| 19 | 830.140.140 | Self Lock Nut M14 - ISO 10511 | | 6 |
| 20 | 864.120.030 | Washer M12 - ISO 7089 | | 4 |
| 21 | 864.140.030 | Washer M14 - ISO 7089 | | 4 |
| 22 | 900.260.414 | Decall Ruler | | 2 |
| 23 | 2344434 | Front roller VD7526 | | 1 |



| ITEM | PART NUMBER | DESCRIPTION | REMARKS | QUA |
|------|-------------|------------------------|---------|-----|
| 1 | 900.260.403 | Logo Label Rev.B | | 2 |
| 2 | 900.280.402 | Safety decall manual | | 1 |
| 3 | 916.260.200 | Label Verti-Knife side | | 2 |
| 4 | 916.260.208 | Decall 2500 | | 2 |
| 5 | 921.280.402 | Safety decall VS | | 2 |