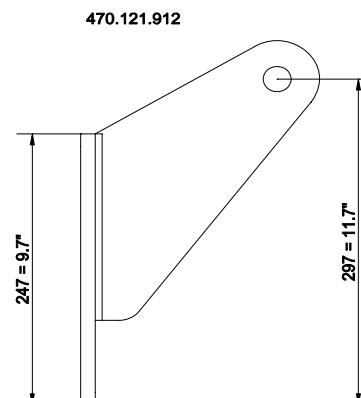
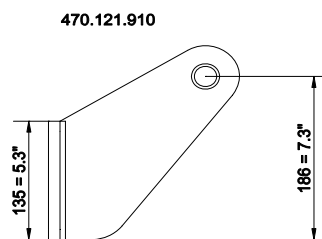
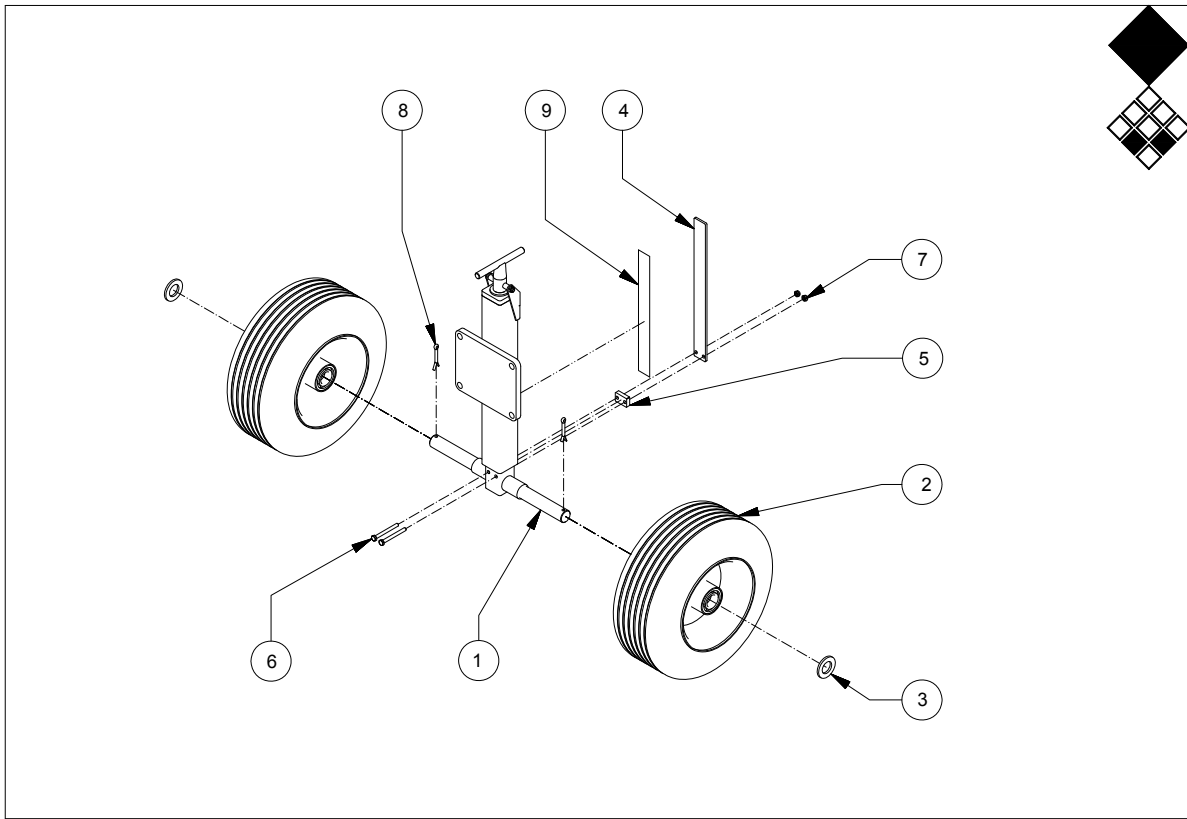


Redexim-Charterhouse Verti-Rake Machine carrier pag 01 code 1533

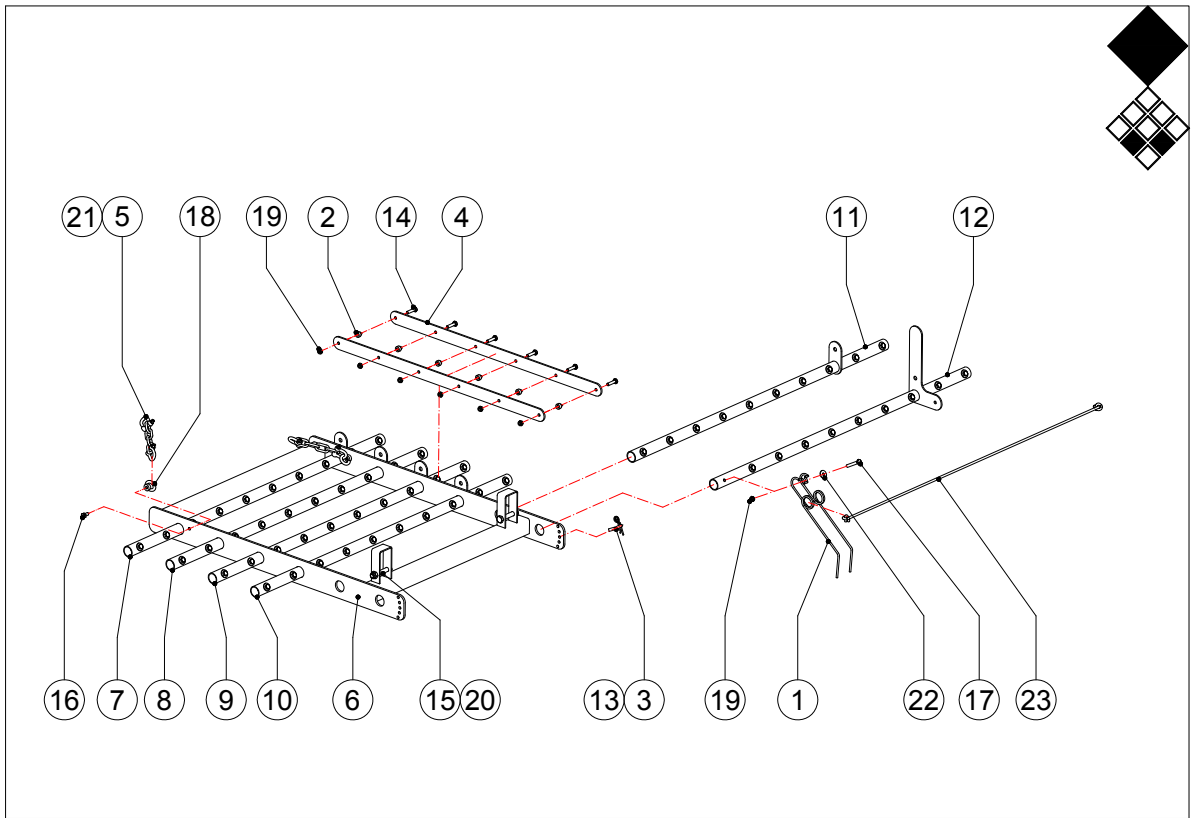
	PART #	DESCRIPTION	REMARKS	QUA
1	462.109.170	Main beam		1
2	470.121.912	Bottom link assy	Large model	2
	470.121.910	Bottom link assy	Small model	2
3	468.121.350	Mounting plate square 135		4
4	470.124.850	Top link assy		1
5	470.801.850	Pivot lock		1
6	404.501.240	Pivot bush		1
7	476.250.660	Distance bush 3 point		1
8	521.221.600	3 point pin		2
9	961.120.200	Manual		2
10	880.060.100	Grease nipple		1
11	523.051.000	R-Clip		3
12	521.191.600	Top link pin		1
13	802.121.400	Bolt M12 x 140		20
14	830.120.120	Self lock nut M12		20
15	802.160.140	Bolt M16 x 140		1
16	830.160.160	Self lock nut M16		2
17	802.161.100	Bolt M16 x 110		1
18	468.031.432	Mounting plate manual tube		1
19	991.143.400	Manual / Toolbox empty		1
20	991.140.600	Cover toolbox		2
21	848.901.200	U-bolt complete		2
22	830.080.080	Self lock nut M8		4
23	900.280.402	Safety label Manual		1
24	900.260.403	Logo Label Redexim		1
25	933.280.402	Safety Label		2
26	474.202.000	Lock Pin		2
27	523.030.750	R-Clip D=4 Din 11024		4





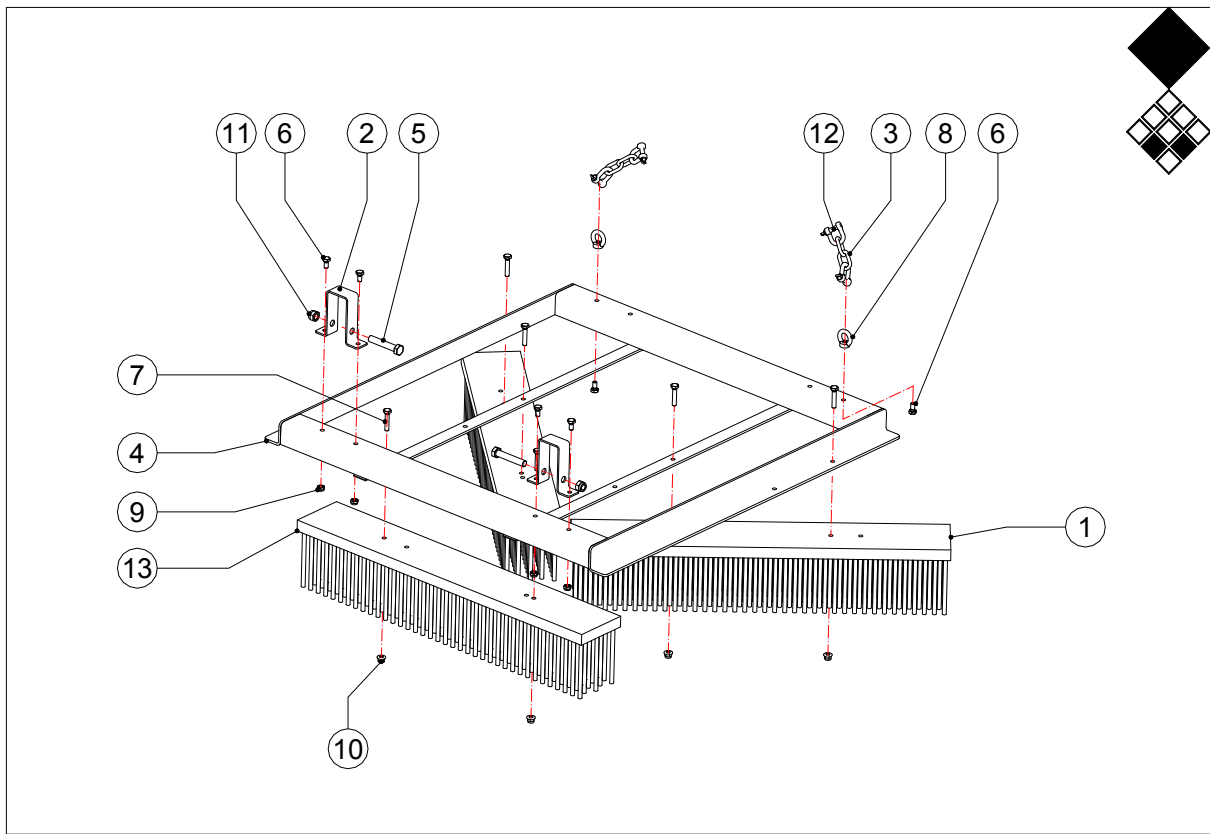
Redexim-Charterhouse Verti-Rake Jack complete pag 02 code 0748

	PART #	DESCRIPTION	REMARKS	QUA
1	460.325.609	Weld assy jack		1
2	511.325.135	Wheel		2
3	864.240.044	Washer		2
4	464.043.150	Height indicator strip		1
5	464.080.300	Distance block		1
6	802.060.600	Bolt M6 x 60		2
7	830.060.060	Nut		2
8	882.050.400	Split pin		2
9	900.260.414	Decall ruler 280		1
10				
11				
12				
13				
14				
15				
16				
17				
18				
19				
20				
21				
22				
23				
24				
25				
26				
27				
28				
29				
30				
31				
32				
33				
34				
35				
36				
37				
38				
39				
40				
41				



Redxim-Charterhouse Verti-Rake Rake section 150-200 pag 03 code 0748

	PART # 150	PART # 200	DESCRIPTION	DESCRIPTION	QUA 150 / 200
1	361.505.390	SAME	Tine for Verti-Rake		60 / 84
2	404.100.160	SAME	Pivot bush		6 / 6
3	424.100.590	SAME	Lock pin		1 / 1
4	464.069.110	SAME	Guide strip for angle setting		2 / 2
5	482.081.360	SAME	Chain		2 / 2
6	494.127.091	SAME	Rake frame		1 / 1
7	494.128.105	494.175.105	Tine support tube 1		1 / 1
8	494.128.106	494.175.106	Tine support tube 2		1 / 1
9	494.128.107	494.175.107	Tine support tube 3		1 / 1
10	494.128.108	494.175.108	Tine support tube 4		1 / 1
11	494.128.109	494.175.109	Tine support tube 5		1 / 1
12	494.128.270	494.175.270	Tine carrier		1 / 1
13	523.030.750	SAME	R-Clip		1 / 1
14	802.100.400	SAME	Bolt M10 x 40		6 / 6
15	802.160.900	SAME	Bolt M16 x 90		2 / 2
16	804.100.200	SAME	Bolt M10 x 20		2 / 2
17	802.100.650	SAME	Bolt M10 x 65		60 / 84
18	822.100.360	SAME	Eye nut M10		2 / 2
19	830.100.100	SAME	Self lock nut M10		66 / 90
20	830.160.160	SAME	Self lock nut M16		2 / 2
21	846.100.471	SAME	D-Shackle		4 / 4
22	864.100.031	SAME	Large washer M10		60 / 84
23	899.080.150	899.080.200	Rope for spring tines		6 / 6
24					
25					
26			The 3 meter rake section, needs twice the quantity from above		
27					
28					
29					
30					
31					
32					
33					
34					
35					
36					
37					
38					
39					



Redexim-Charterhouse Verti-Rake Brush section 150-200 pag 05 code 1410

	PART # 150	PART # 200	DESCRIPTION	DESCRIPTION	QUA 150 / 200
1	386.185.910	SAME	Brush 1 for VR		2 / 2
2	464.041.420	SAME	Bracket brush		2 / 2
3	482.081.360	SAME	Chain assy Verti-brush		2 / 2
4	494.099.090	494.099.911	Frame for brush		1 / 1
5	802.160.900	SAME	Bolt M16 x 90		2 / 2
6	804.100.200	SAME	Bolt M10 x 20		6 / 6
7	804.100.500	SAME	Bolt M10 x 50		6 / 6
8	822.100.360	SAME	Eye nut M10		2 / 2
9	830.100.100	SAME	Self lock nut M10		4 / 4
10	830.100.105	SAME	Self lock nut with washer M10		6 / 6
11	830.160.160	SAME	Self lock nut M16		2 / 2
12	846.100.471	SAME	D-Shackle 10		4 / 4
13	386.185.910	386.185.912	Brush 2 for VR		1 / 1
14					
15					
16			The 3 meter rake section, needs twice the quantity from PART # 150 above		
17					
18					
19					
20					
21					
22					
23					
24					
25					
26					
27					
28					
29					
30					
31					
32					
33					
34					
35					
36					
37					
38					

