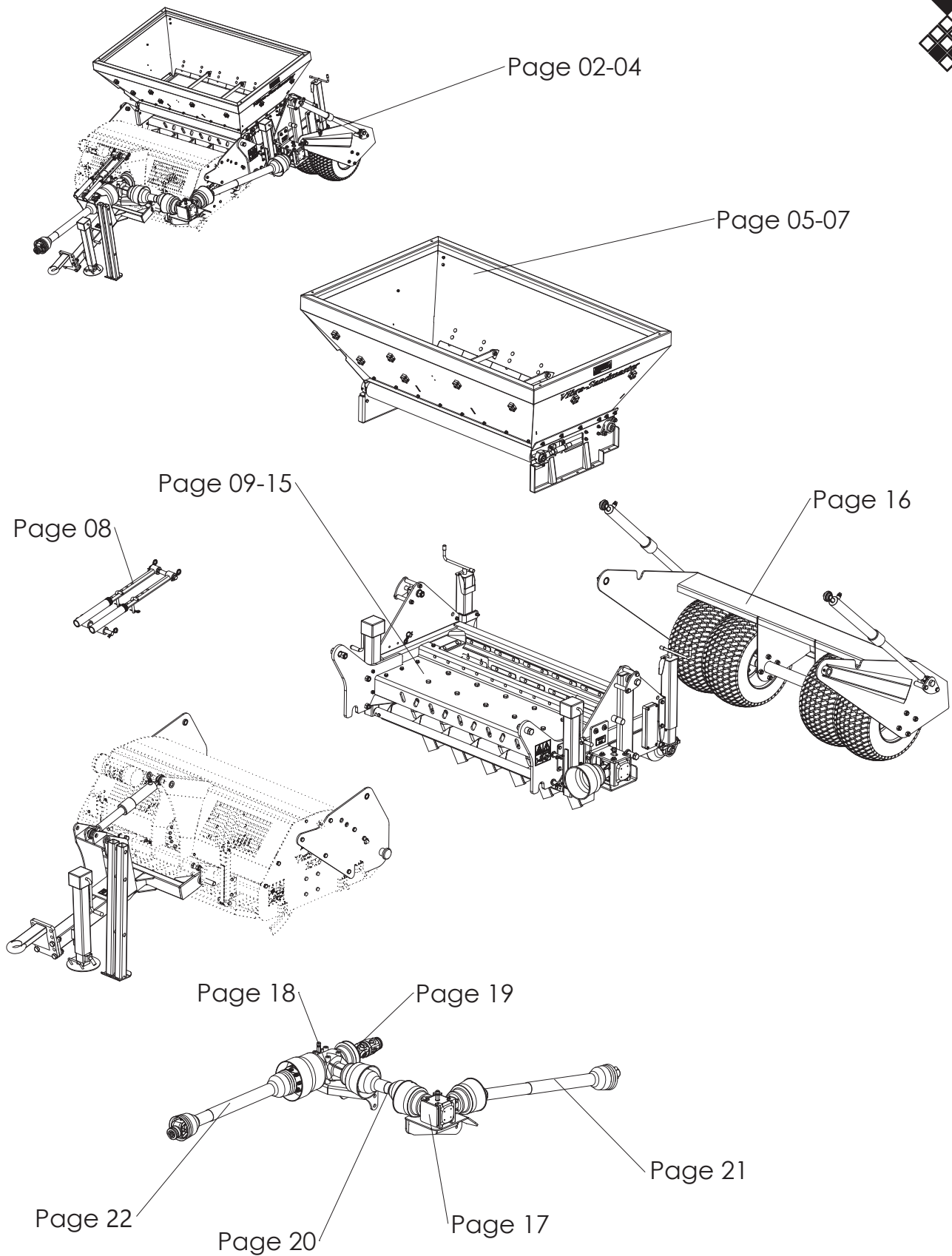


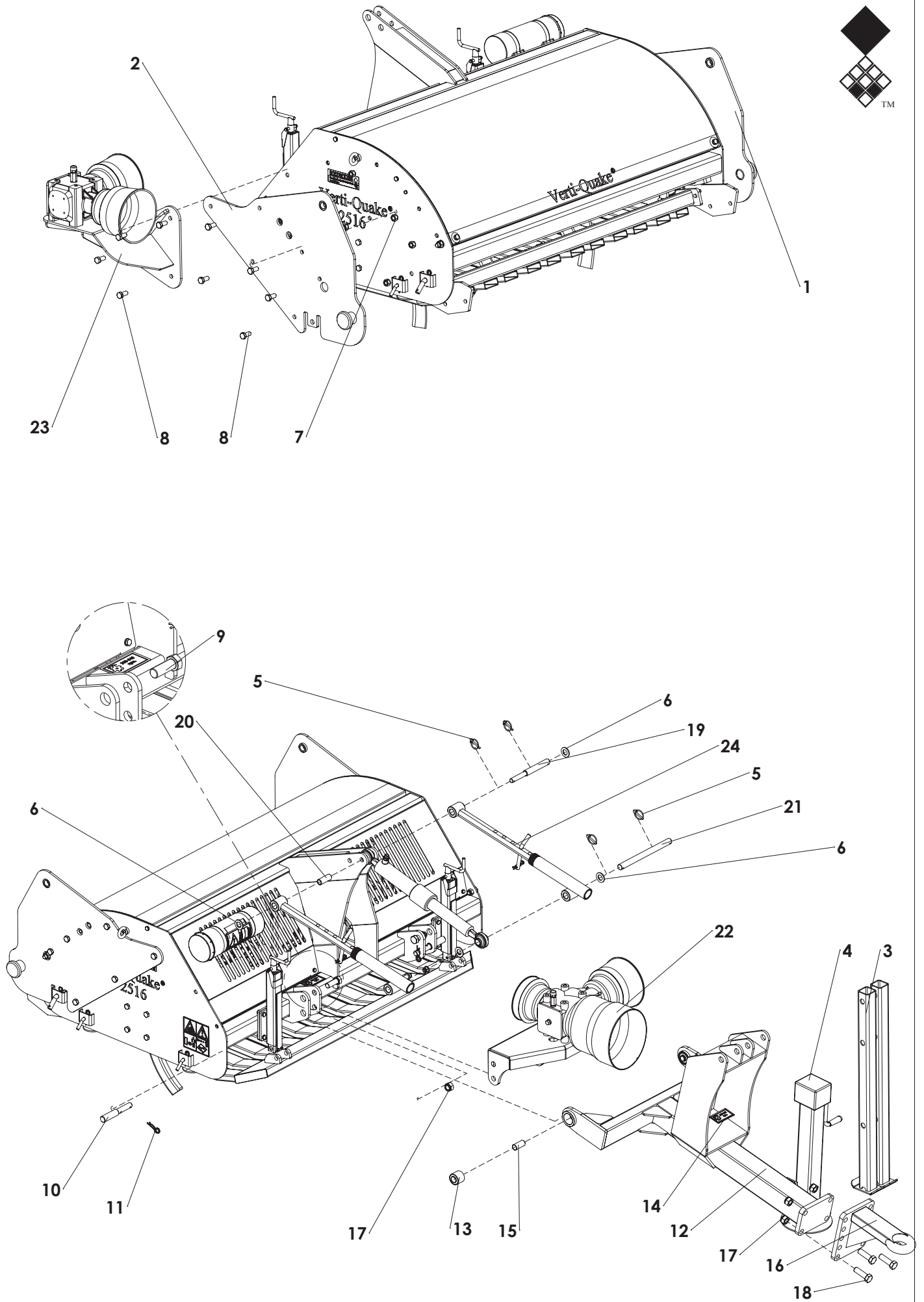
VIBRA-SANDMASTER



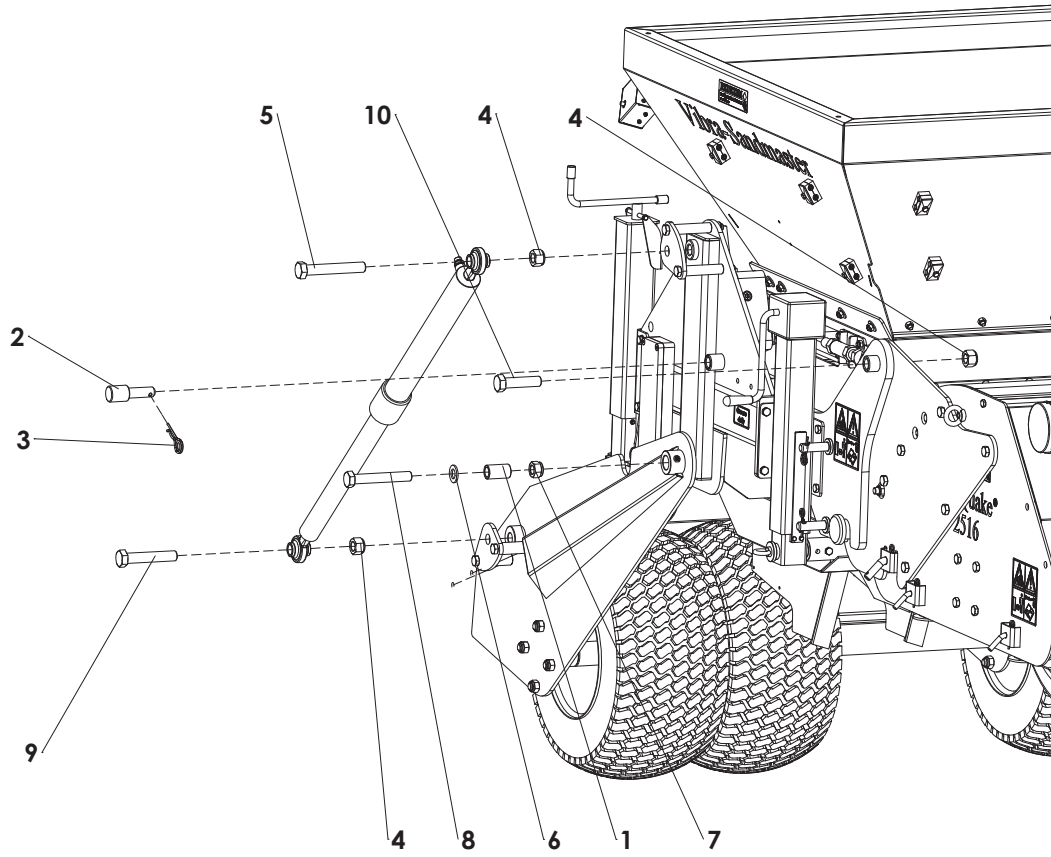
Version: 2135



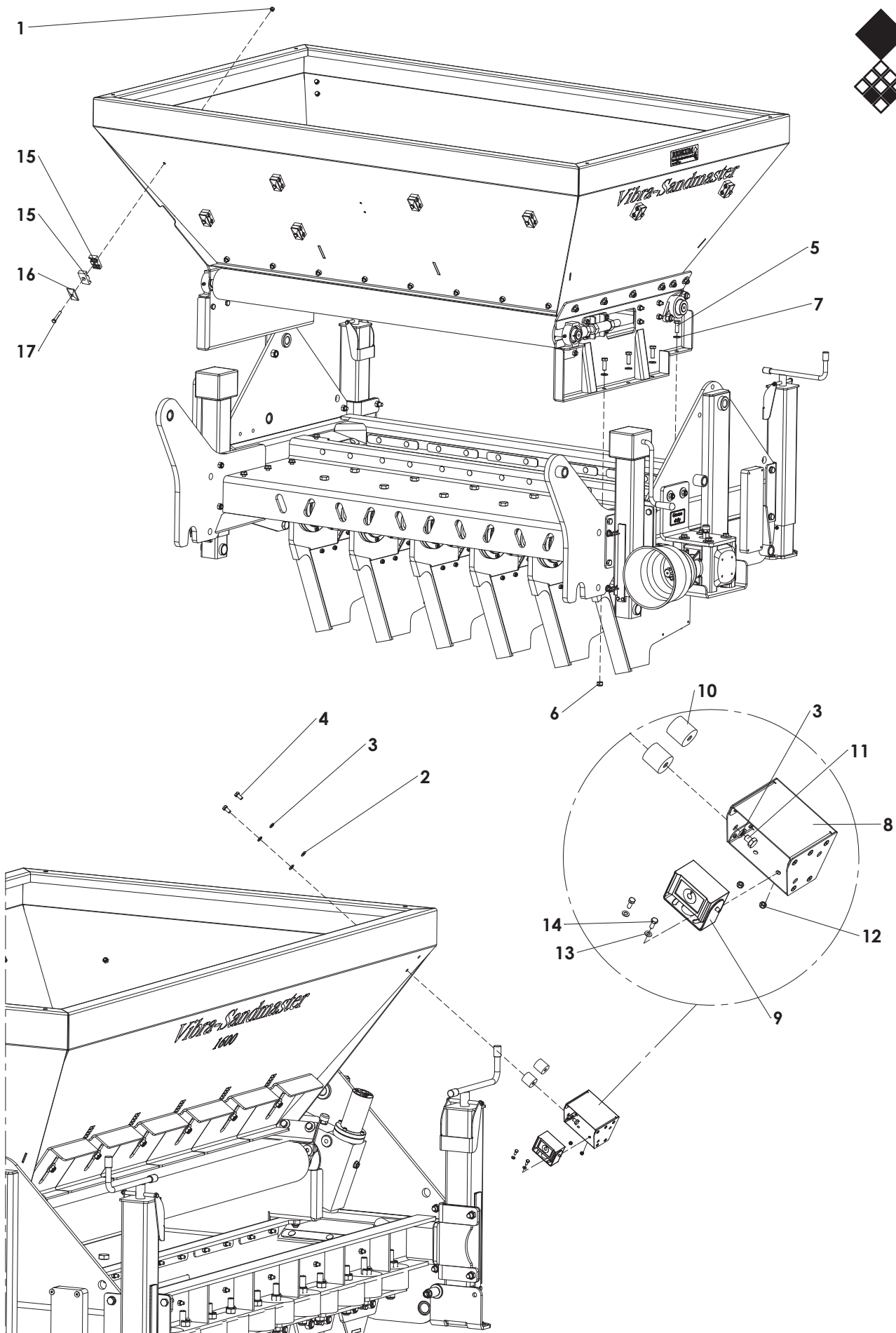
Hydraulics: Page 23-26
Electronic: Page 27-28



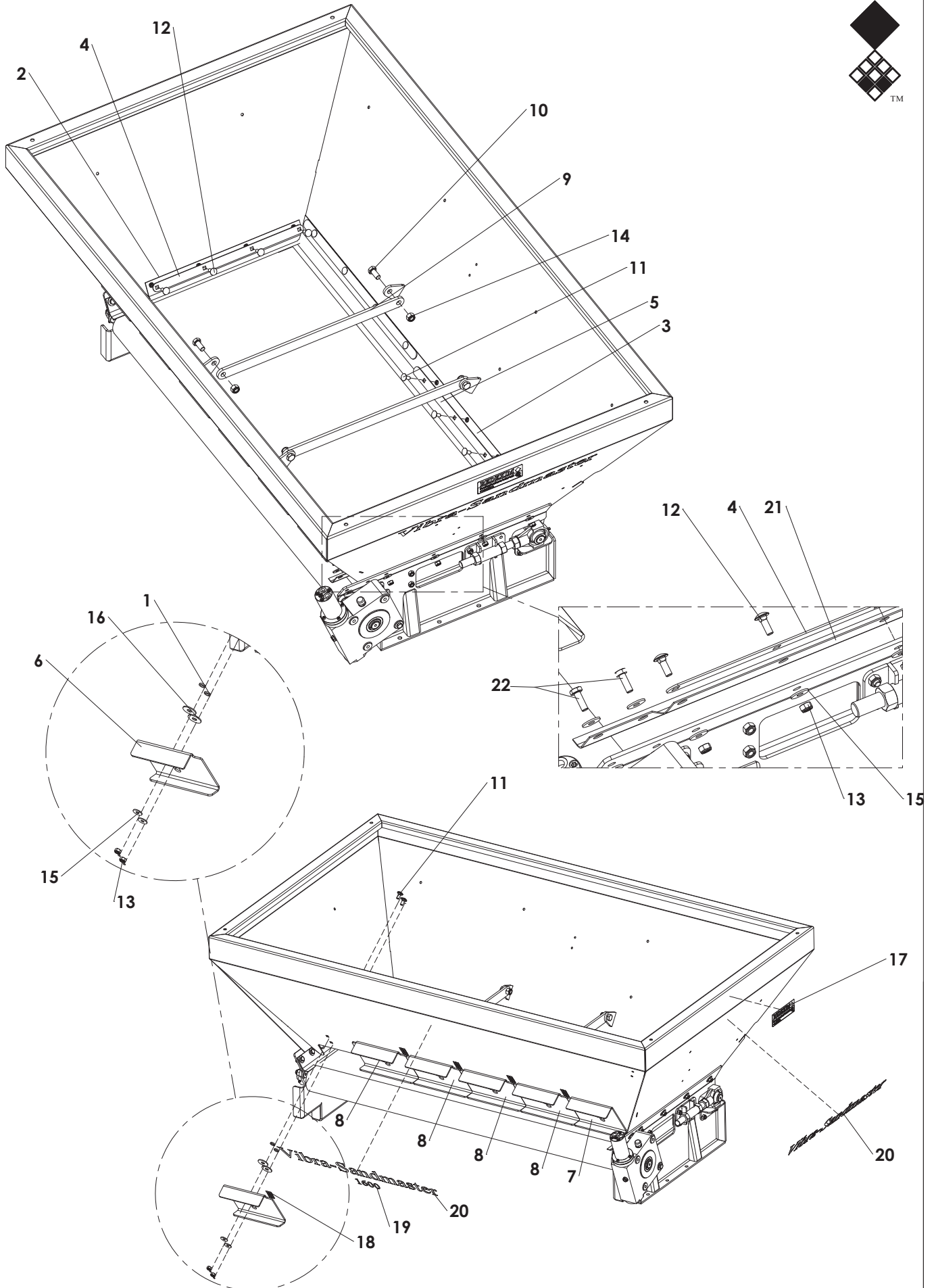
ITEM	PART NUMBER	DESCRIPTION	REMARKS	QUA
1	470.108.770	Connection plate right		1
2	470.108.772	Connection plate left		1
3	460.608.050	Jack 60x60 L=955		2
4	460.806.852	Jack stand SMDG706_3SF		1
5	523.060.320	Linch pin Ø6		4
6	864.240.044	Washer M24 - ISO 7089		4
7	830.160.160	Self Lock Nut M16 - ISO 10511		15
8	804.160.350	Bolt M16 x 35 - ISO 4017		15
9	804.220.600	Bolt M22 x 60 - ISO 4017		2
10	521.221.602	3-point pin		2
11	523.030.750	R-Clip Round 3, DIN 11024		2
12	494.133.078	Drawbar		1
13	572.250.450	Vibration damper VP 25/5045		2
14	900.260.422	Decall PTO 350 540		1
15	406.220.550	Distance bush Ø25/Ø22.5 L=55		2
16	470.203.350	Towing hook		1
17	830.220.220	Self Lock Nut M22 - ISO 10511		6
18	802.220.700	Bolt M22 x 70 - ISO 4014		4
19	418.252.350	Toplink pin special SM		1
20	406.200.660	Distance bush Ø25/Ø20 L=66		1
21	414.253.200	Toplink pin Ø25 WI=294		1
22		1st gearbox assembly	See partspage 18	
23		2nd gearbox assembly	See partspage 17	
24		Block cylinder assembly	See partspage 08	



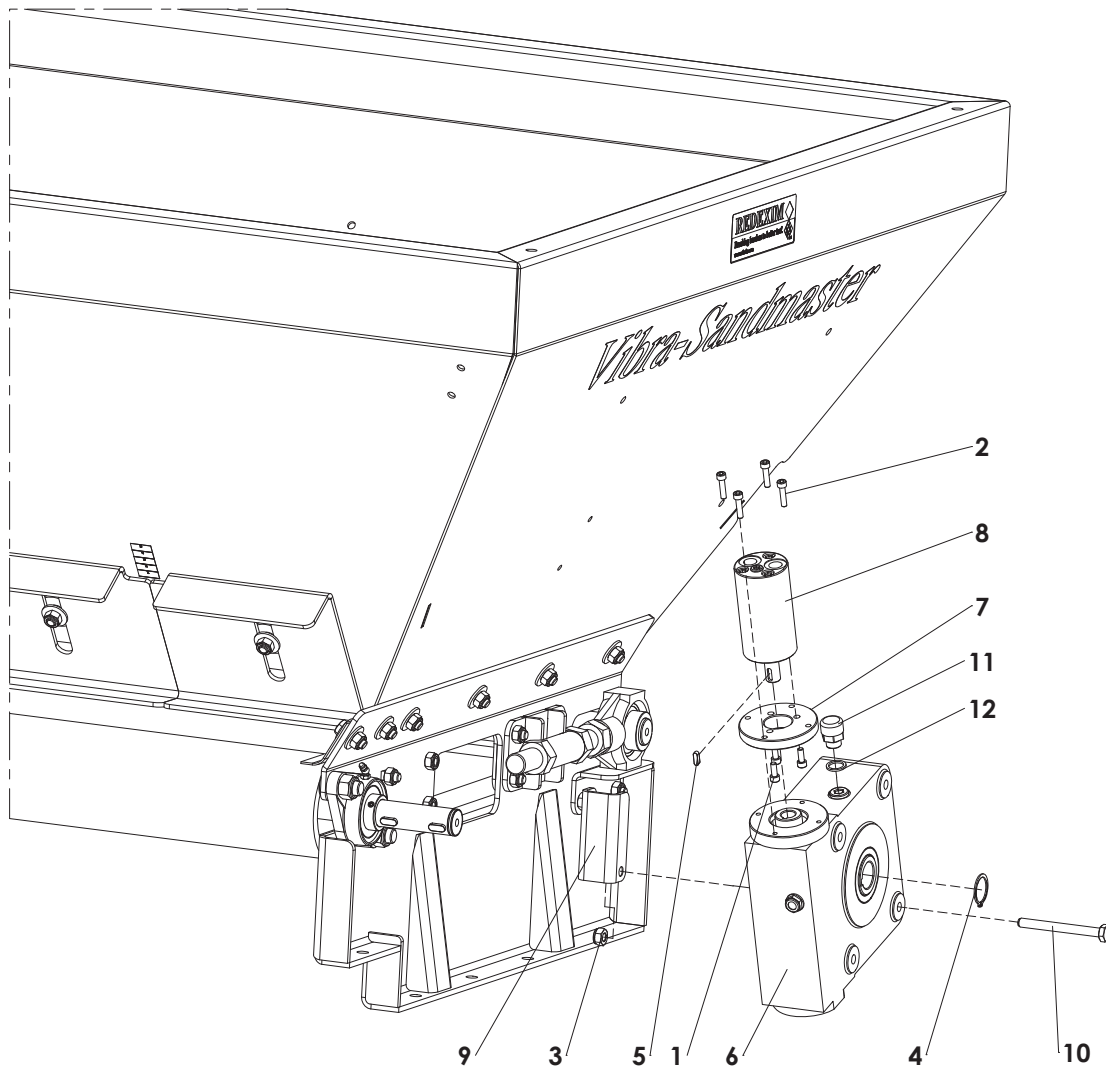
ITEM	PART NUMBER	DESCRIPTION	REMARKS	QUA
1	406.240.600	Distance bush Ø35/Ø24 L=60		2
2	418.401.250	Pin Ø40/Ø25 WL=55		2
3	523.051.000	R-clip Round 6, DIN 11024		2
4	838.010.220	Self Lock Nut 1 inch UNC - DIN 985		6
5	808.010.062	Hex Bolt 1"-8x6.5" UNC - ANSI B18.2.1		2
6	864.240.044	Washer M24 - ISO 7089		2
7	830.240.240	Self Lock Nut M24 - ISO 10511		2
8	802.060.600	Bolt M24 x 160 - ISO 4014		2
9	808.010.052	Hex Bolt 1"-8x5.5" UNC - ANSI B18.2.1		2
10	808.010.040	Hex Bolt 1"-8x4.0" UNC - ANSI B18.2.1 Grade 5.2 (8.8)		2



ITEM	PART NUMBER	DESCRIPTION	REMARKS	QUA
1	830.080.080	Self Lock Nut M8 - ISO 10511		11
2	864.080.030	Washer M8 - ISO 7089		2
3	866.080.020	Spring Washer M8 - DIN 127		4
4	804.080.160	Bolt M8 x 16 - ISO 4017		2
5	804.120.350	Bolt M12 x 35 - ISO 4017		8
6	830.120.120	Self Lock Nut M12 - ISO 10511		8
7	864.120.030	Washer M12 - ISO 7089		8
8	470.021.200	Camera protection case		1
9	568.420.860	Camera		1
10	572.300.300	Vibration damper Ø30x30 2xM8 inside		2
11	804.100.100	Bolt M8 x 10 - ISO 4017		2
12	830.050.050	Self Lock Nut M5 - ISO 10511		2
13	864.050.030	Washer M5 - ISO 7089		2
14	804.050.120	Bolt M5 x 12 - ISO 4017		2
15	547.150.150	Hose clamp double 15mm		2
16	547.070.510	Cover plate hose clamp 2x15 - 2x18		1
17	802.080.450	Bolt M8 x 45 - ISO 4014		1

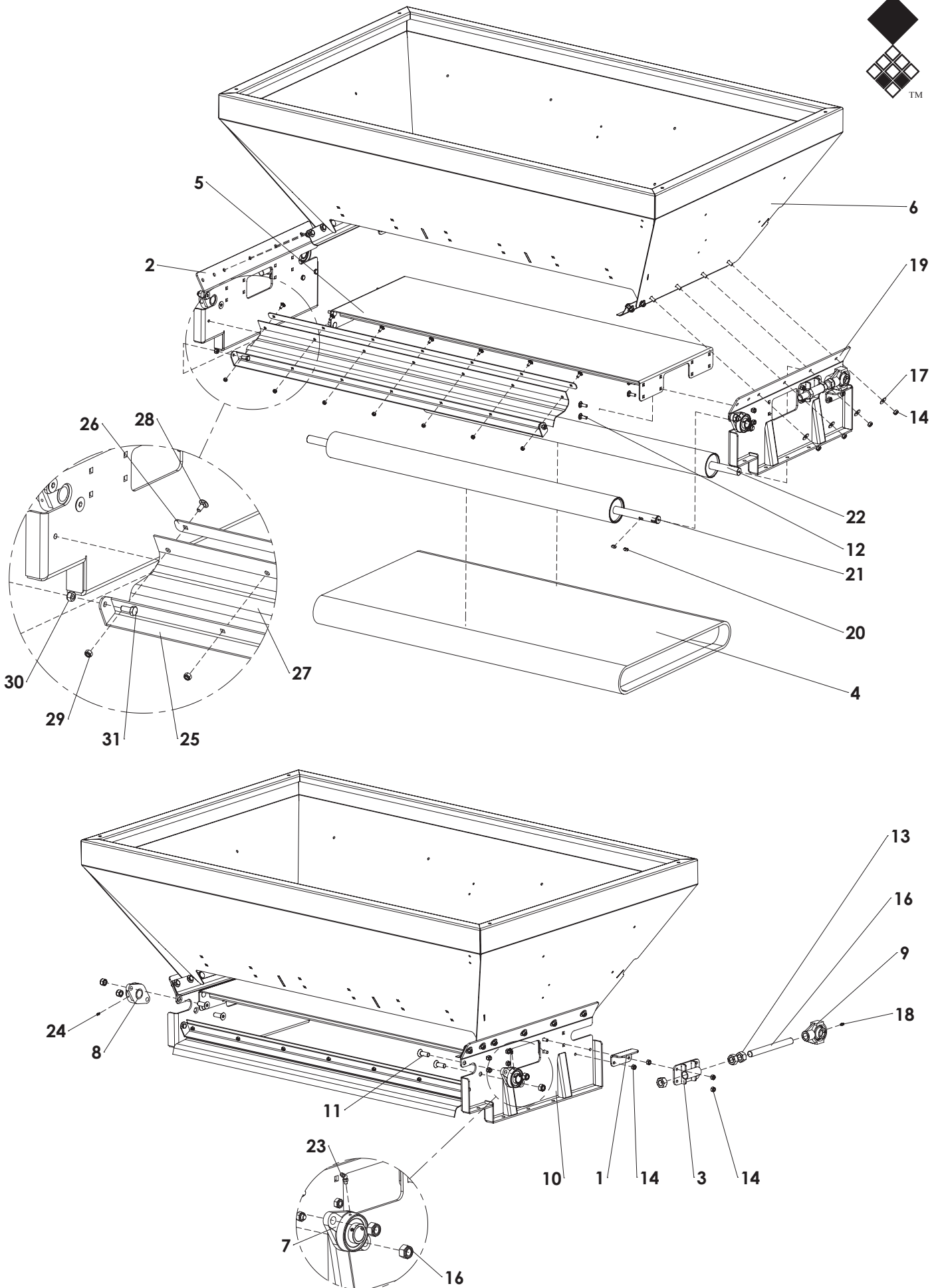


ITEM	PART NUMBER	DESCRIPTION	REMARKS	QUA
1	406.130.040	Distance bush Ø20/Ø13.5 L=4		12
2	446.045.850	Rubber cover strip left		1
3	446.049.166	Rubber strip		1
4	468.036.002	Lock plate		2
5	468.037.600	Lock plate		2
6	468.052.550	Door plate left		1
7	468.052.552	Door plate right		1
8	468.052.600	Door plate central		4
9	468.107.070	Connecting plate		2
10	804.160.350	Bolt M16 x 35 - ISO 4017		4
11	820.100.250	MH Bolt M10 x 25 ISO 8677		20
12	820.100.300	MH Bolt M10 x 30 ISO 8677		8
13	830.100.100	Self Lock Nut M10 - ISO 10511		28
14	830.160.160	Self Lock Nut M16 - ISO 10511		4
15	864.100.031	Large washer M10 - DIN 9021		28
16	864.140.031	Large washer M14 - DIN 9021		12
17	900.260.403	Logo Label		2
18	900.260.414	Decall Ruler	Cut to 5	5
19	912.260.404	Label 1600		1
20	915.260.208	Decall sandmaster small		3
21	446.045.852	Rubber cover strip right		1
22	804.100.300	Bolt M10 x 30 - ISO 4017		4

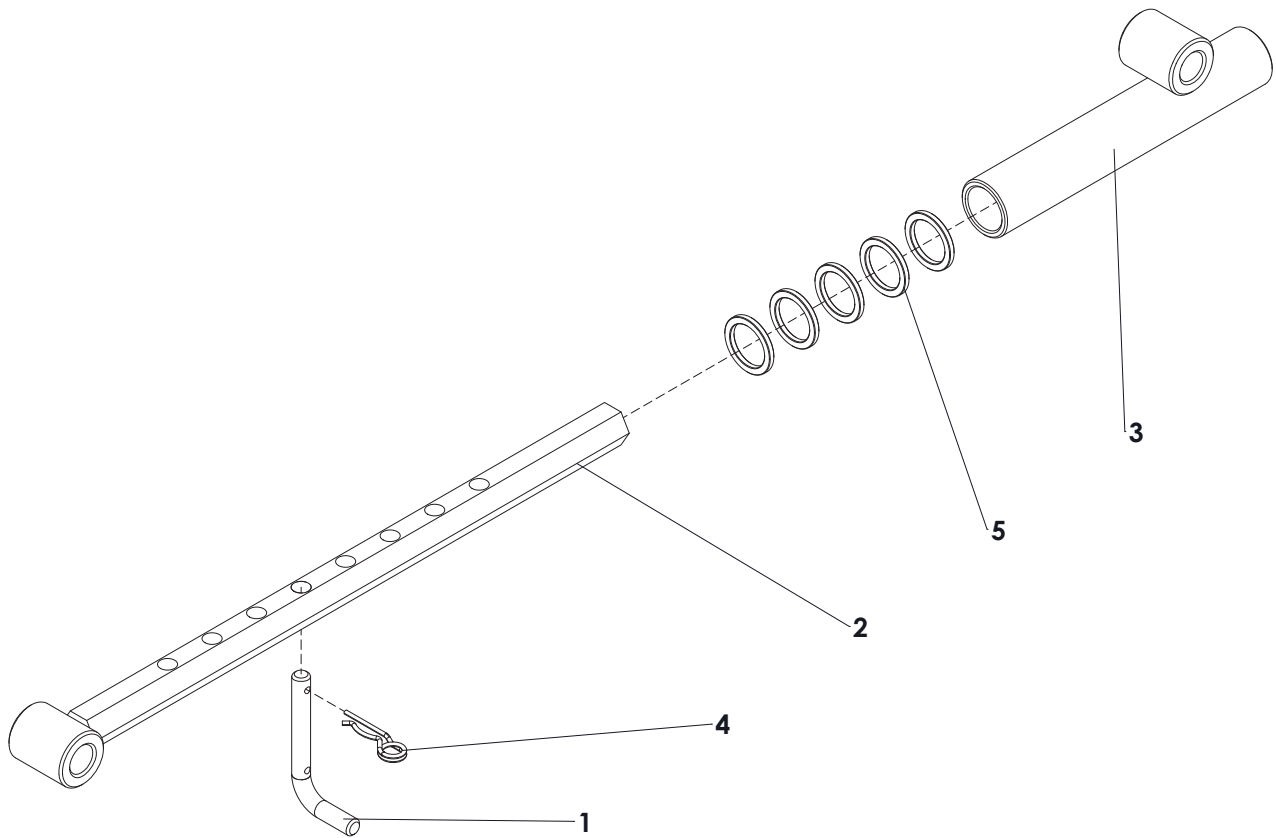


Gearbox oil:
SAE 90
0,5 Ltr / 16.9 OZ

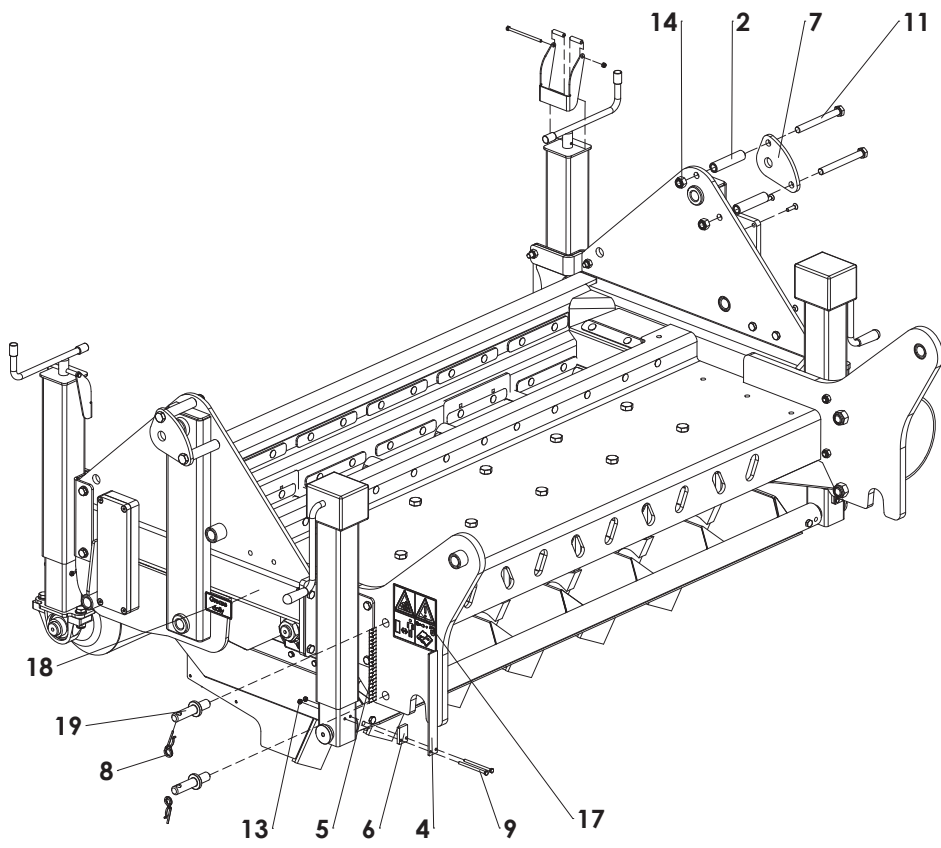
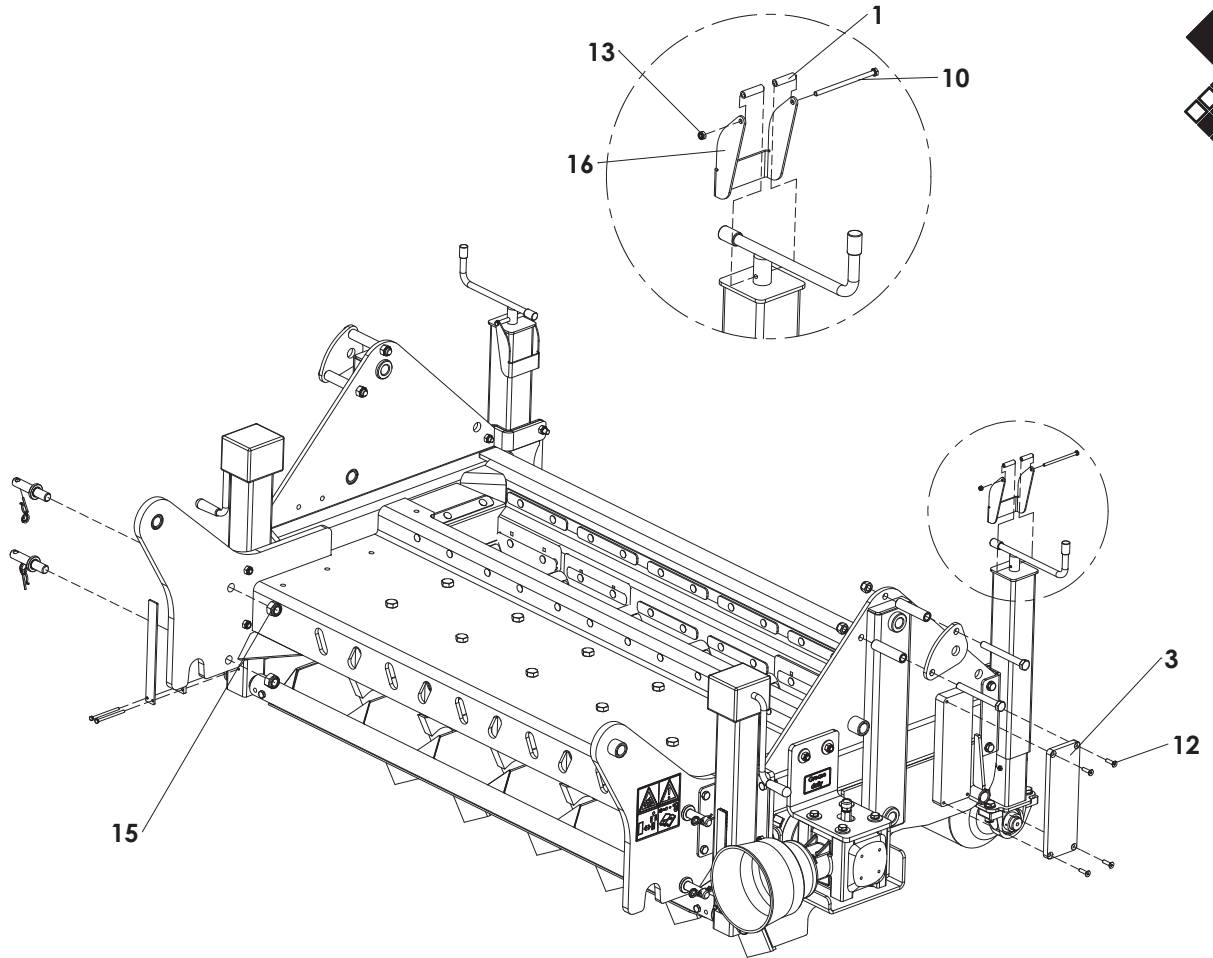
ITEM	PART NUMBER	DESCRIPTION	REMARKS	QUA
1	814.060.150	Bolt M6 x 16 - DIN 912		3
2	814.060.250	Bolt M6 x 25 - DIN 912		4
3	830.100.100	Self Lock Nut M10 - ISO 10511		1
4	870.030.160	Circlip d=30 - DIN 471		1
5	884.050.160	Key 5x5x25 - DIN 6885		1
6	RGS 10492	Gearbox 40:1		1
7	RGS 10492	OMM adapter plate		1
8	RGS 10572	H-motor OMM20		1
9	468.051.002	Torque lock		1
10	802.101.000	Bolt M10 x 100 - ISO 4014		1
11	537.160.320	Breather M16x1.5		1
12	874.170.020	Copper washer 3_8		1



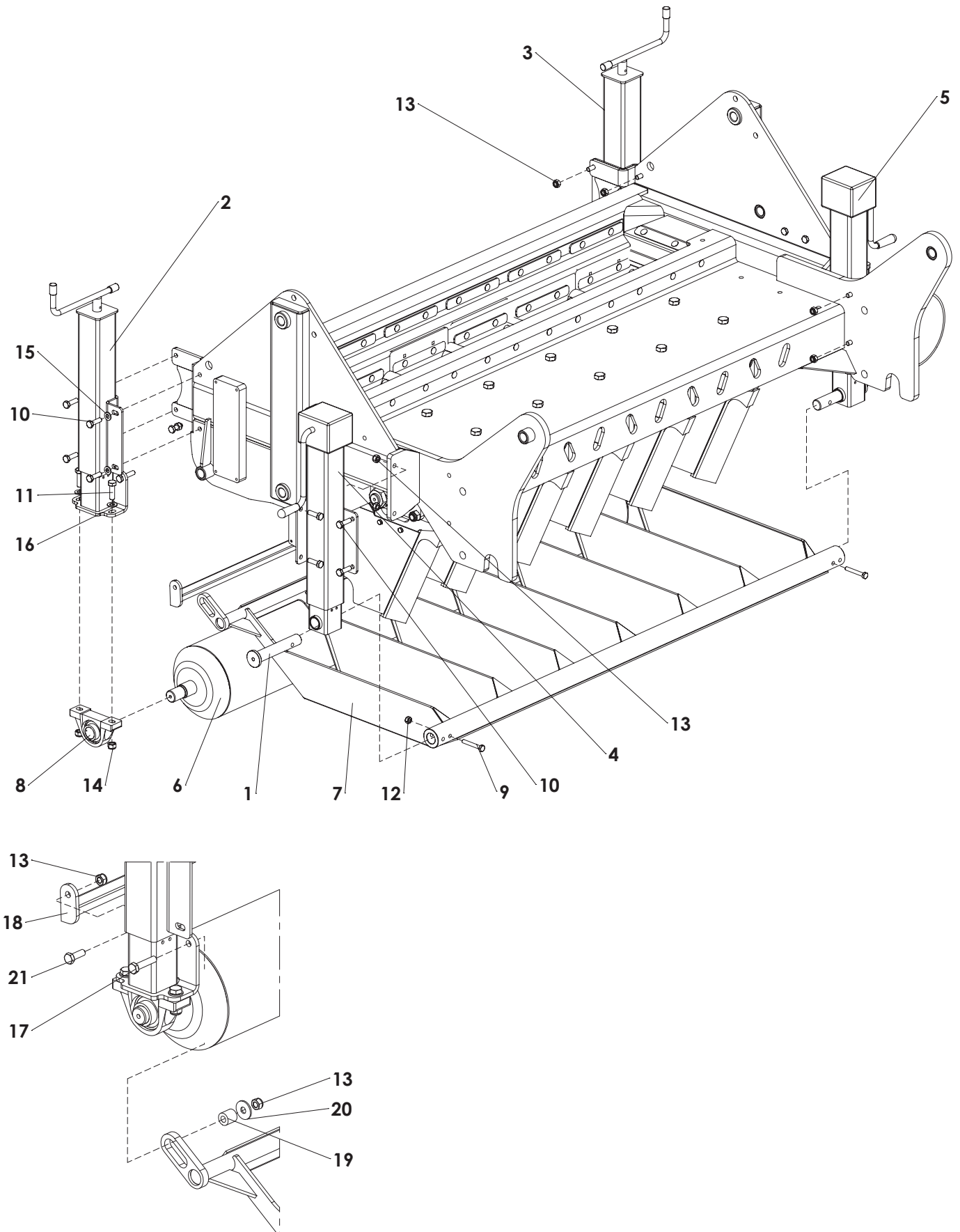
ITEM	PART NUMBER	DESCRIPTION	REMARKS	QUA
1	468.051.200	Bracket 50x50x5		2
2	470.068.082	Side plate right		1
3	470.061.500	Spanner base		2
4	492.067.840	Conveyor belt		1
5	494.150.051	Belt guide		1
6	494.211.132	Hopper		1
7	742.300.400	Bearing UCFL206		1
8	742.300.480	Bearing UELFL 206		1
9	743.300.430	Bearing PHE30		2
10	804.100.250	Bolt M10 x 25 - ISO 4017		4
11	816.160.452	Bolt M16 x 45 - DIN 7991		4
12	820.100.300	MH Bolt M10 x 30 ISO 8677		16
13	826.240.240	Nut M24 - DIN 934		6
14	830.100.100	Self Lock Nut M10 - ISO 10511		28
16	830.160.160	Self Lock Nut M16 - ISO 10511		4
16	852.242.200	Threaded Rod M24 L=250 DIN 975		2
17	864.100.031	Large washer M10 - DIN 9021		28
18	880.090.100	Grease nipple Rp 1/8 straight		2
19	470.068.080	Side plate left		1
20	884.080.200	Key 8x7x20 - DIN 6885		2
21	488.105.169	Belt roller driven		1
22	RGS 16129	Front roller GS10		1
23	880.060.104	Grease nipple M6 45deg. DIN 71412B		1
24	880.060.100	Grease nipple M6 DIN 71412A		1
25	470.049.150	Scraper angle		1
26	468.039.155	Clamp strip		1
27	446.039.142	Scraper rubber		1
28	820.080.200	MH Bolt M8 x 20 ISO 8677		7
29	830.080.080	Self Lock Nut M8 - ISO 10511		7
30	830.100.100	Self Lock Nut M10 - ISO 10511		2
31	804.100.250	Bolt M10 x 25 - ISO 4017		2



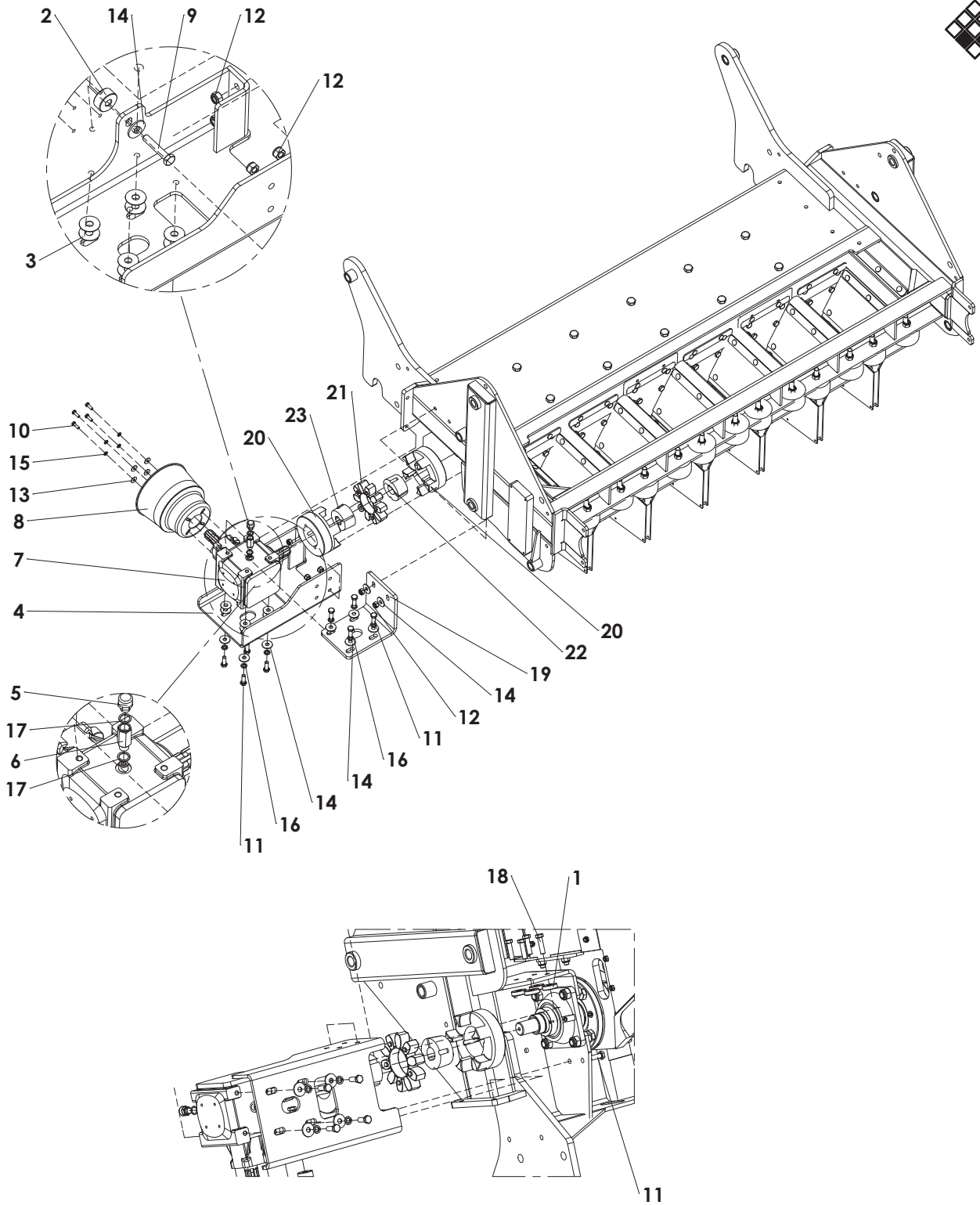
ITEM	PART NUMBER	DESCRIPTION	REMARKS	QUA
1	424.151.280	Lock pin	Qua for 1 element	1
2	474.060.650	Hex stop inner	Qua for 1 element	1
3	478.101.300	Hex stop outer	Qua for 1 element	1
4	523.030.750	R-Clip Round 3, DIN 11024	Qua for 1 element	1
5	406.390.050	Distance bush Ø51/Ø38.4 L=5	Qua for 1 element	5



ITEM	PART NUMBER	DESCRIPTION	REMARKS	QUA
1	406.060.350	Distance bush $\varnothing 10/\varnothing 6.5$ L=35		4
2	406.171.060	Distance bush $\varnothing 25/\varnothing 16.5$ L=106		4
3	444.153.000	Guide plate		2
4	464.042.800	Height Indicator Strip, L= 280		4
5	900.260.414	Decall Ruler		4
6	468.080.450	Distance block L=45		4
7	468.101.600	Cylinder contraplate		2
8	523.030.750	R-Clip Round 3, DIN 11024		4
9	802.060.900	Bolt M6 x 90 - ISO 4014		8
10	802.061.100	Bolt M6 x 110 - ISO 4014		2
11	802.161.500	Bolt M16 x 150 - ISO 4014		4
12	816.080.300	Bolt M8 x 30 - DIN 7991		8
13	830.060.060	Self Lock Nut M6 - ISO 10511		10
14	830.160.160	Self Lock Nut M16 - ISO 10511		4
15	830.220.220	Self Lock Nut M22 - ISO 10511		4
16	468.031.330	Spindle lock 80		2
17	921.280.402	Safety decall VS		2
18	943.280.500	Label Grease		2
19	2490881	Bottom 3-Point Pin		4

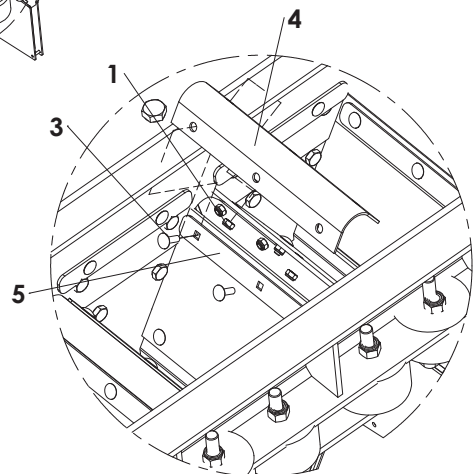
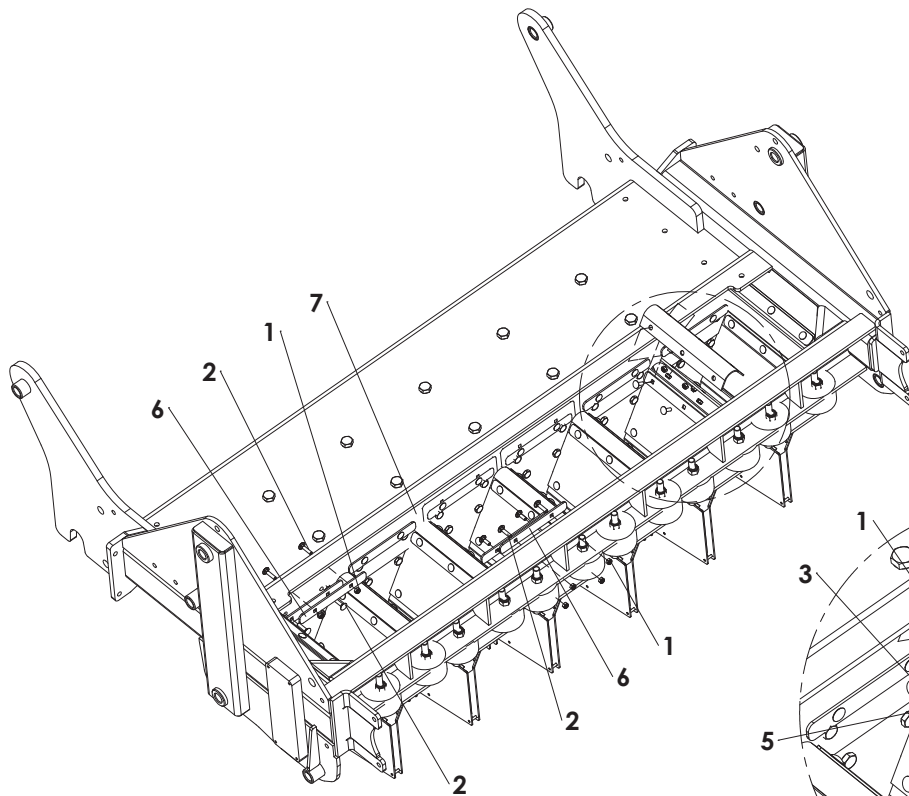
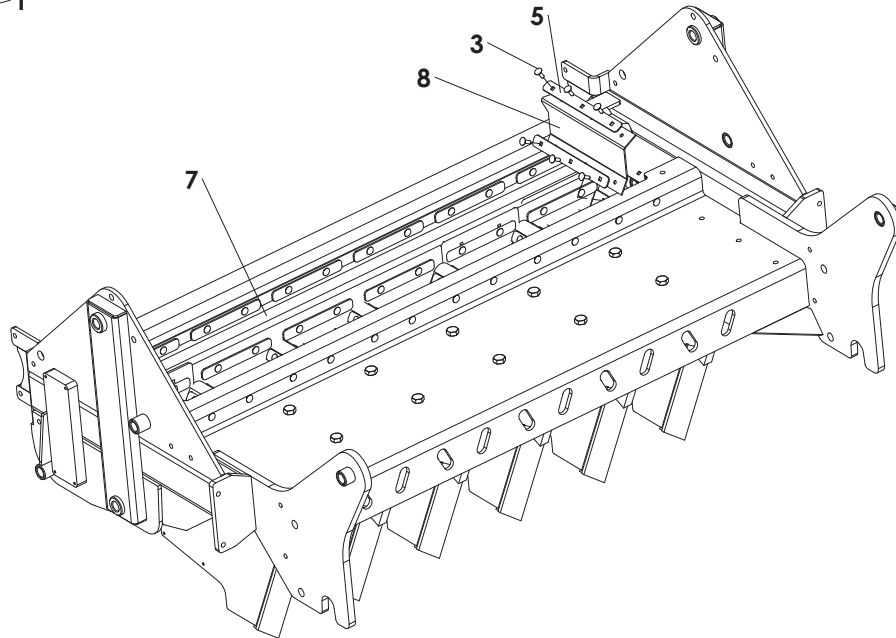
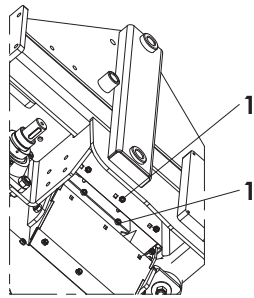


ITEM	PART NUMBER	DESCRIPTION	REMARKS	QUA
1	418.301.880	Lock pin		2
2	460.806.770	Jack Simol P575 Right		1
3	460.806.772	Jack Simol P575 Left		1
4	460.806.800	Jack Simol DG706 Right		1
5	460.806.802	Jack Simol DG706 Left		1
6	488.219.194	Rear roller Ø219.1 L=1940		1
7	494.177.093	Skid Sandmaster		1
8	743.350.480	Bearing PASEY35-N		2
9	802.100.700	Bolt M10 x 70 - ISO 4014		2
10	804.120.400	Bolt M12 x 40 - ISO 4017		15
11	804.140.450	Bolt M14 x 45 - ISO 4017		4
12	830.100.100	Self Lock Nut M10 - ISO 10511		2
13	830.120.120	Self Lock Nut M12 - ISO 10511		21
14	830.140.140	Self Lock Nut M14 - ISO 10511		4
15	864.120.030	Washer M12 - ISO 7089		4
16	864.140.030	Washer M14 - ISO 7089		4
17	802.120.550	Bolt M12 x 55 - ISO 4014		2
18	470.059.177	Scraper		1
19	406.130.250	Distance bush Ø25/Ø12.5 L=25		2
20	864.120.031	Large washer M12 - DIN 9021		2
21	804.120.350	Bolt M12 x 35 - ISO 4017		2

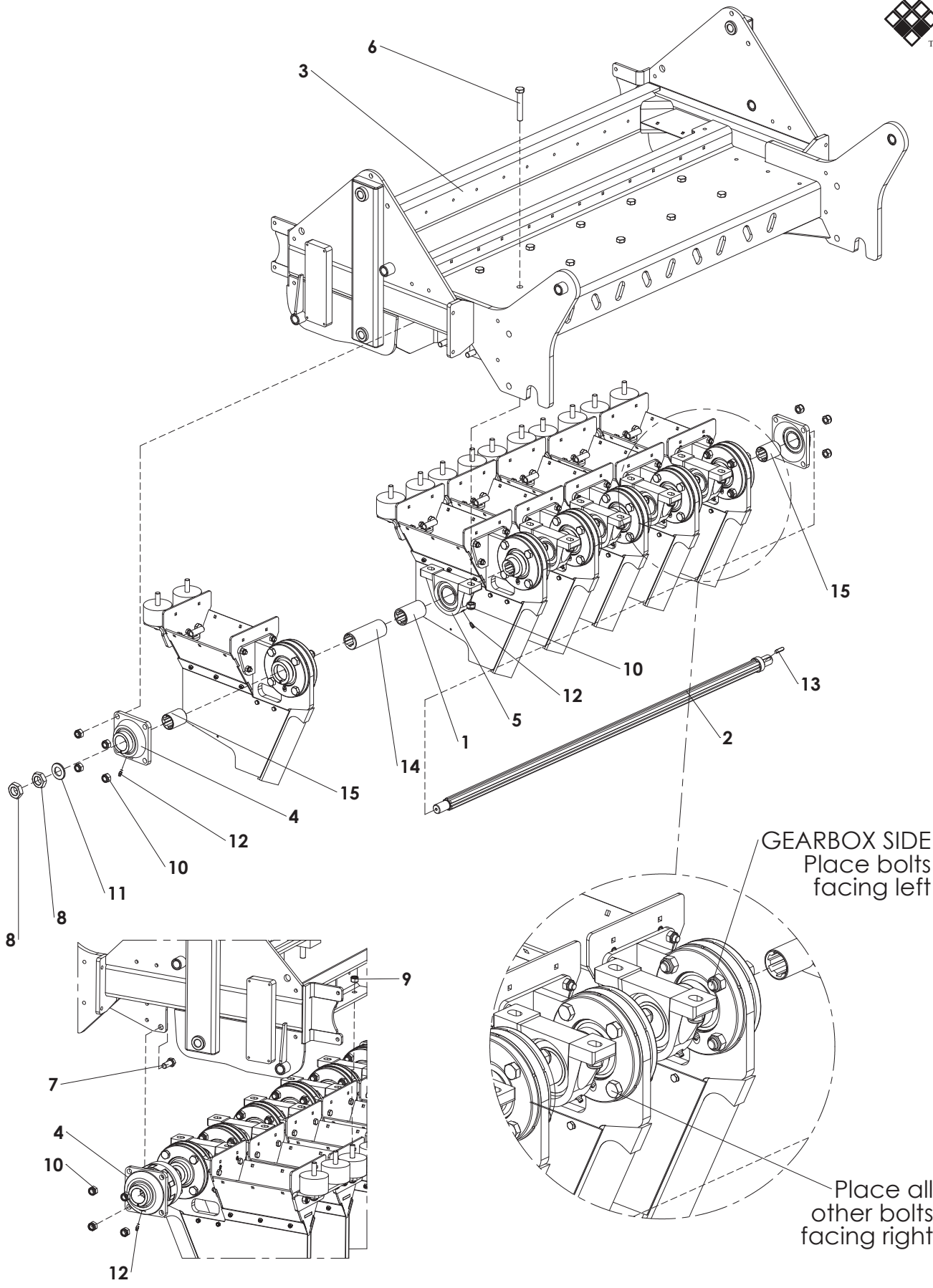


Gearbox oil:
SAE 80W90
1.2Ltr (40.6 oz)

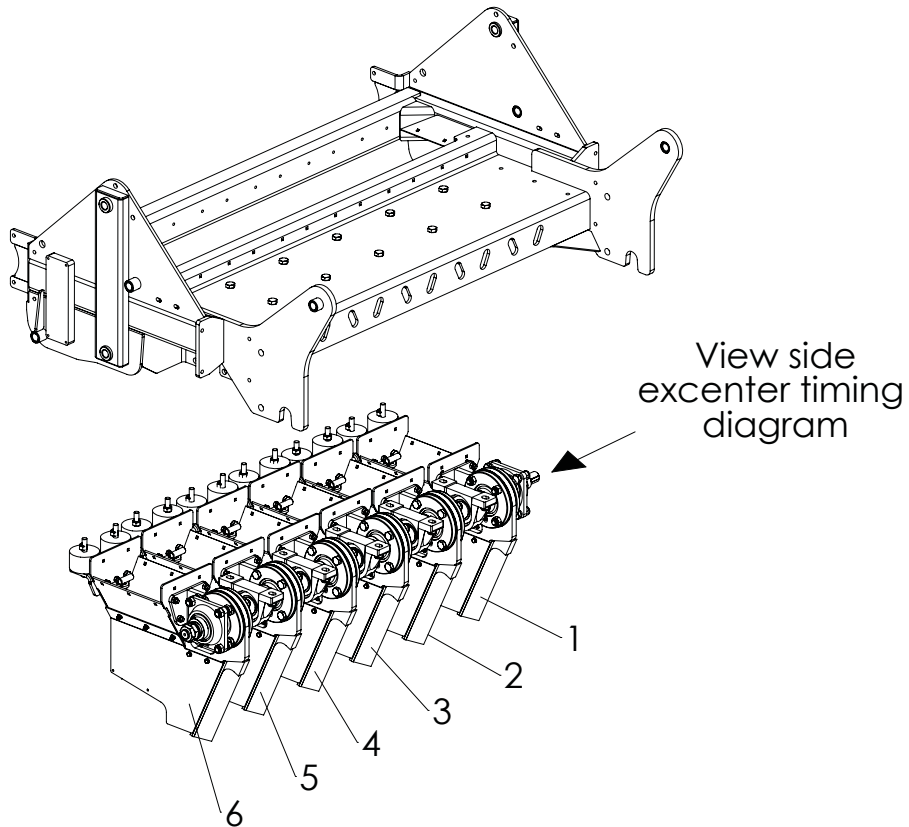
ITEM	PART NUMBER	DESCRIPTION	REMARKS	QUA
1	406.130.110	Distance bush Ø40/Ø13 L=11		4
2	406.130.180	Distance bush Ø40/Ø13 L=18		1
3	468.013.702	Shim Ø37/Ø13 th=1		8
4	470.084.602	Gearbox mounting bracket		1
5	537.380.360	Breather 3/8" BSP		1
6	544.175.400	Extension Nipple G3/8 x G3/8, L= 40		1
7	622.165.322	Comer T-27A 9.267.042.00 1:1,46		1
8	629.210.192	PTO Cover Comer		1
9	802.120.650	Bolt M12 x 65 - ISO 4014		1
10	804.080.250	Bolt M8 x 25 - ISO 4017		4
11	804.120.350	Bolt M12 x 35 - ISO 4017		10
12	830.120.120	Self Lock Nut M12 - ISO 10511		8
13	864.080.024	Large washer M8 - DIN 9021		4
14	864.120.031	Large washer M12 - DIN 9021		11
15	866.080.020	Spring Washer M8 - DIN 127		4
16	866.120.020	Spring Washer M12 - DIN 127		8
17	874.170.020	Copper washer 3_8		2
18	804.120.400	Bolt M12 x 45 - ISO 4017		4
19	468.122.002	Gearbox bracket		1
20	665.001.602	Coupling half HWT375TL		2
21	665.160.300	Coupling Rubber HW957598 98° Shore		1
22	648.352.517	Taperlock 2517 - 35mm		1
23	648.342.517	Taperlock 2517 - 1-3/8" Z6		1



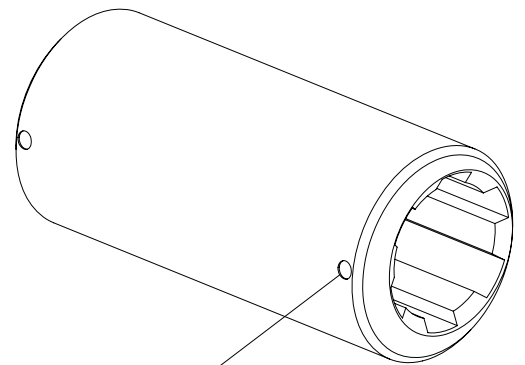
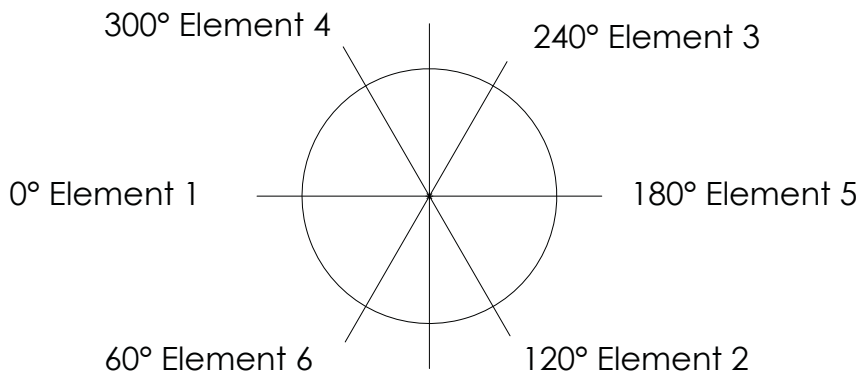
ITEM	PART NUMBER	DESCRIPTION	REMARKS	QUA
1	830.080.080	Self Lock Nut M8 - ISO 10511		90
2	820.080.350	MH Bolt M8 x 35 ISO 8677		36
3	820.080.250	MH Bolt M8 x 25 ISO 8677		54
4	446.043.100	Rubber cover small		5
5	464.033.000	Clamp strip		14
6	464.032.200	Clamp strip		24
7	446.049.150	Rubber cover long		2
8	446.033.350	Rubber cover side		2



ITEM	PART NUMBER	DESCRIPTION	REMARKS	QUA
1	410.601.002	Splined bush 1-3/4" Z6 L=100mm		5
2	474.521.720	Excenter drive shaft		1
3	494.198.142	Frame sandmaster		1
4	741.550.990	Bearing PCJ55		2
5	743.600.700	Bearing PASE60-N		5
6	802.181.100	Bolt M18 x 110 - ISO 4014		10
7	804.180.450	Bolt M18 x 45 - ISO 4017		8
8	828.330.170	Low Nut M33 x 1.5 Fine - DIN 439		2
9	830.160.160	Self Lock Nut M16 - ISO 10511		12
10	830.180.180	Self Lock Nut M18 - ISO 10511		18
11	864.330.050	Washer M33 - ISO 7089		1
12	880.090.100	Grease nipple Rp 1/8 straight		7
13	884.100.400	Key 10x8x40 - DIN 6885		1
14	410.601.600	Excenter bush		6
15	410.600.850	Splined bush 1-3/4" Z6 L=70		2
		Funnel assembly	See partspage 15	



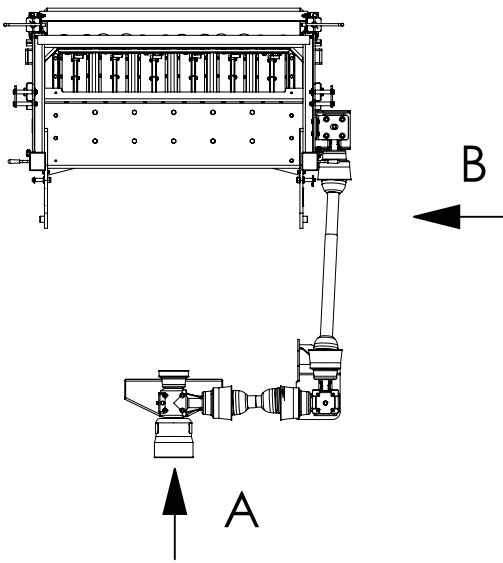
Excenter Timing Diagram



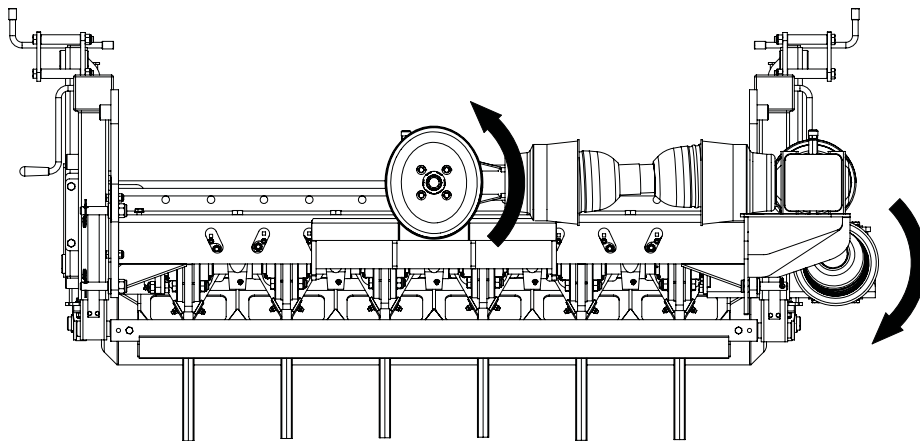
Use drill mark for indication timing

<p>Element 1 0° Start position</p>	<p>Element 2 120° Excentershaft 2 teeth clockwise from Element 1</p>	<p>Element 3 240° Excentershaft 2 teeth clockwise from Element 2</p>	<p>Element 4 300° Excentershaft 1 tooth clockwise from Element 3</p>	<p>Element 5 180° Excentershaft 4 teeth clockwise from Element 4</p>	<p>Element 6 60° Excentershaft 4 teeth clockwise from Element 5</p>
--	--	--	--	--	---

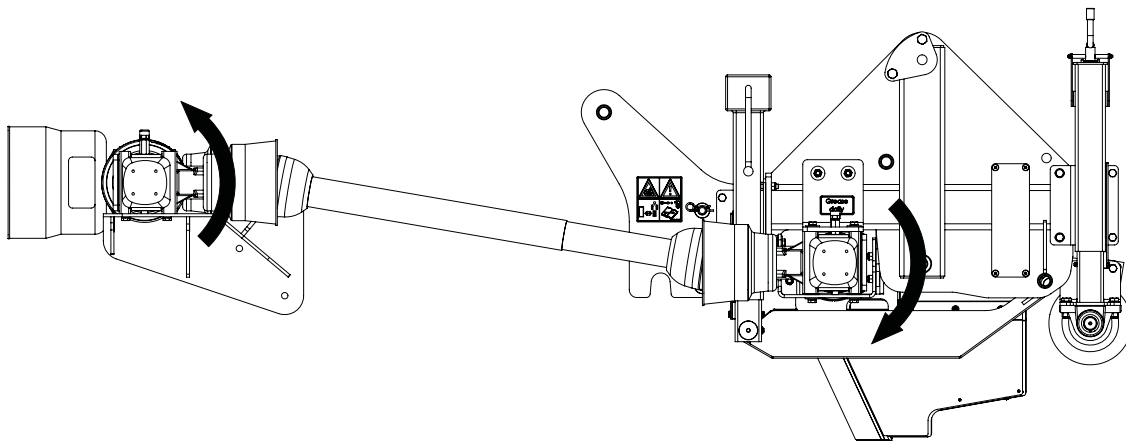
Rotation direction gearboxes

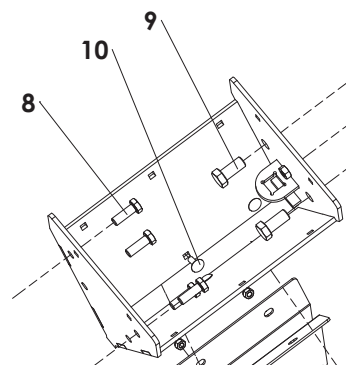
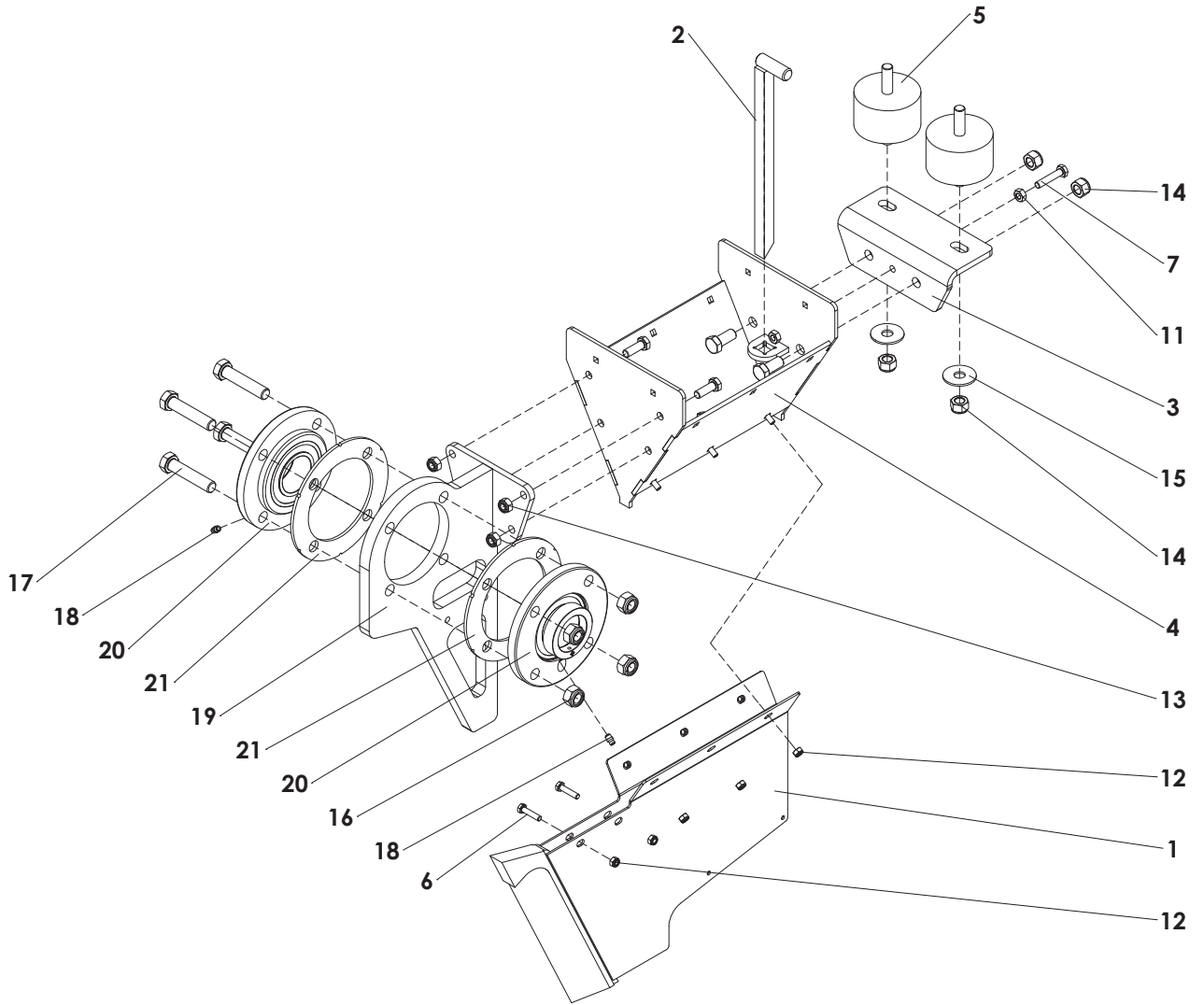


View direction A

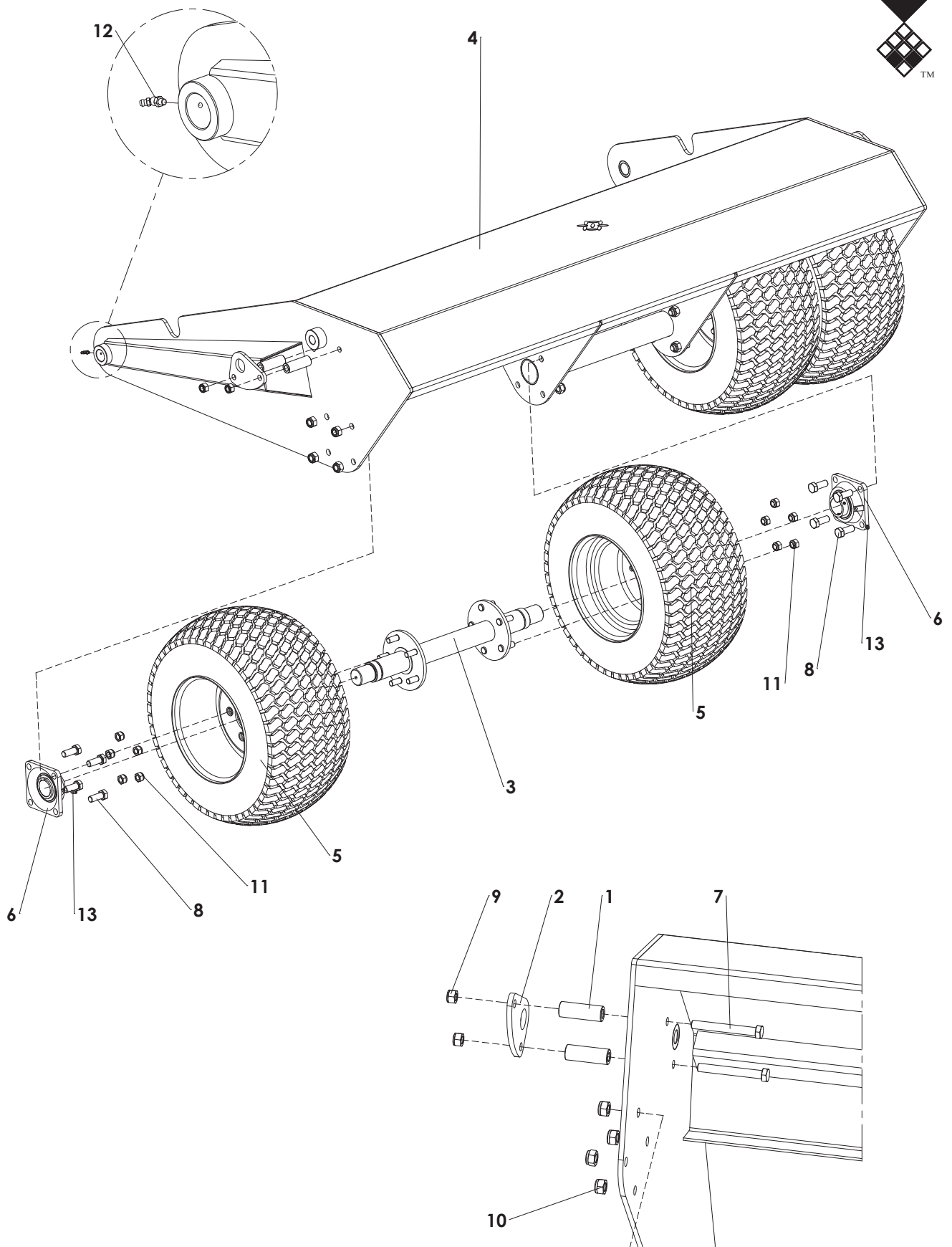


View direction B

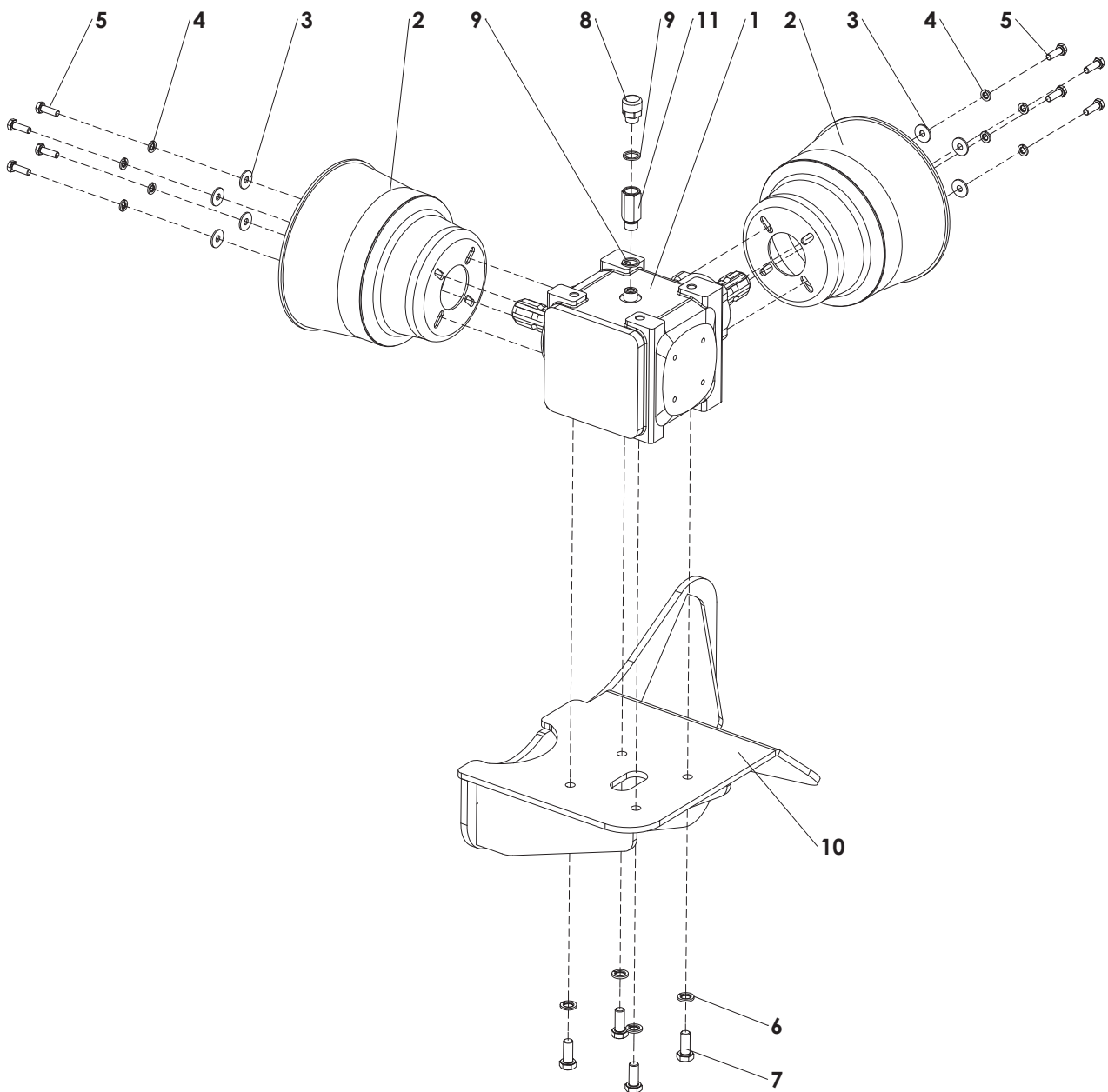




ITEM	PART NUMBER	DESCRIPTION	REMARKS	QUA
1	311.325.598	Blade sandmaster	Qua for 1 element	1
2	462.020.355	Sand scraper	Qua for 1 element	1
3	468.102.300	Funnel bracket	Qua for 1 element	1
4	470.063.260	Funnel sandmaster	Qua for 1 element	1
5	572.991.390	Vibration damper Ø100x60 2xM16x45	Qua for 1 element	2
6	804.080.400	Bolt M8 x 40 - ISO 4017	Qua for 1 element	2
7	804.100.500	Bolt M10 x 50 - ISO 4017	Qua for 1 element	1
8	804.120.350	Bolt M12 x 35 - ISO 4017	Qua for 1 element	4
9	804.160.350	Bolt M16 x 35 - ISO 4017	Qua for 1 element	2
10	820.080.255	MH Bolt M8 x 20 ISO 867	Qua for 1 element	6
11	826.100.100	Nut M10 - DIN 934	Qua for 1 element	1
12	830.080.085	Self Lock Nut M8 - ISO 7043	Qua for 1 element	8
13	830.120.120	Self Lock Nut M12 - ISO 10511	Qua for 1 element	4
14	830.160.160	Self Lock Nut M16 - ISO 10511	Qua for 1 element	4
15	864.160.031	Large washer M16 - DIN 9021	Qua for 1 element	2
16	830.180.180	Self Lock Nut M18 - ISO 10511	Qua for 1 element	4
17	802.180.850	Bolt M18 x 85 - ISO 4014	Qua for 1 element	4
18	880.090.100	Grease nipple Rp 1/8 straight	Qua for 1 element	2
19	470.205.604	Excenter bearing house	Qua for 1 element	1
20	741.600.520	Bearing PME 60-N	Qua for 1 element	2
21	468.051.954	Spacer ring 5mm	Qua for 1 element	2

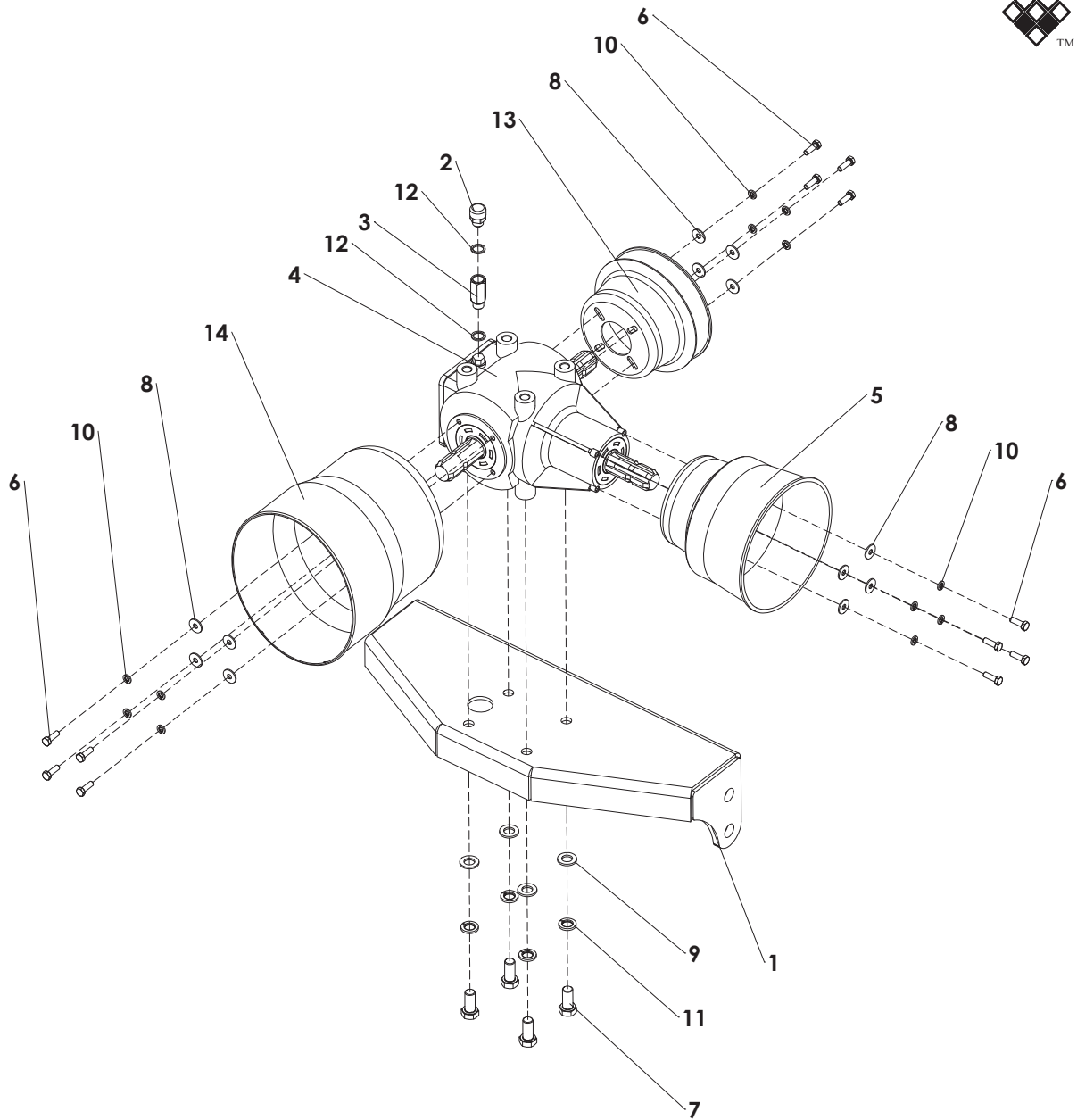


ITEM	PART NUMBER	DESCRIPTION	REMARKS	QUA
1	406.170.850	Distance bush Ø30/Ø16.5 L=85		4
2	468.101.600	Cylinder contraplate		2
3	494.018.067	Wheel axle		2
4	494.203.133	Bogy frame		1
5	511.660.305	Wheel 26x12 inch complete		4
6	741.500.610	Bearing RCJY50-N		4
7	802.161.300	Bolt M16 x 130 - ISO 4014		4
8	804.180.450	Bolt M18 x 45 - ISO 4017		16
9	830.160.160	Self Lock Nut M16 - ISO 10511		4
10	830.180.180	Self Lock Nut M18 - ISO 10511		16
11	844.160.160	Wheel Nut M16		20
12	880.060.104	Grease nipple M6 45deg. DIN 71412B		2
13	880.090.100	Grease nipple Rp 1/8 straight		4



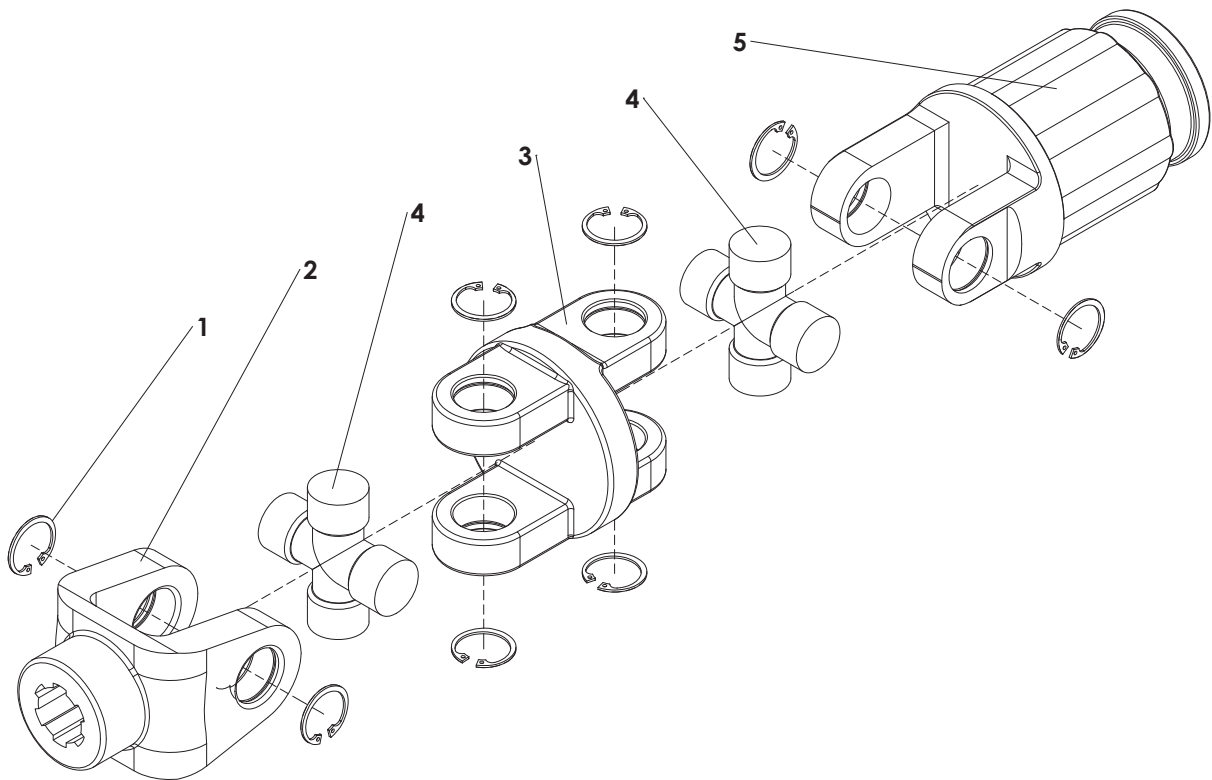
Gearbox oil:
SAE 80W90
1.2ltr (40.6 oz)

ITEM	PART NUMBER	DESCRIPTION	REMARKS	QUA
1	622.165.323	Comer T-27A 267.008 1:1		1
2	629.210.192	PTO Cover Comer		2
3	864.080.024	Large washer M8 - DIN 9021		8
4	866.080.020	Spring Washer M8 - DIN 127		8
5	804.080.250	Bolt M8 x 25 - ISO 4017		8
6	866.120.020	Spring Washer M12 - DIN 127		4
7	804.100.250	Bolt M12 x 30 - ISO 4017		4
8	537.380.360	Breather 3/8" BSP		1
9	874.170.020	Copper washer 3_8		2
10	470.105.300	Gearbox support bracket		1
11	544.175.400	Extension Nipple G3/8 x G3/8, L= 40		1

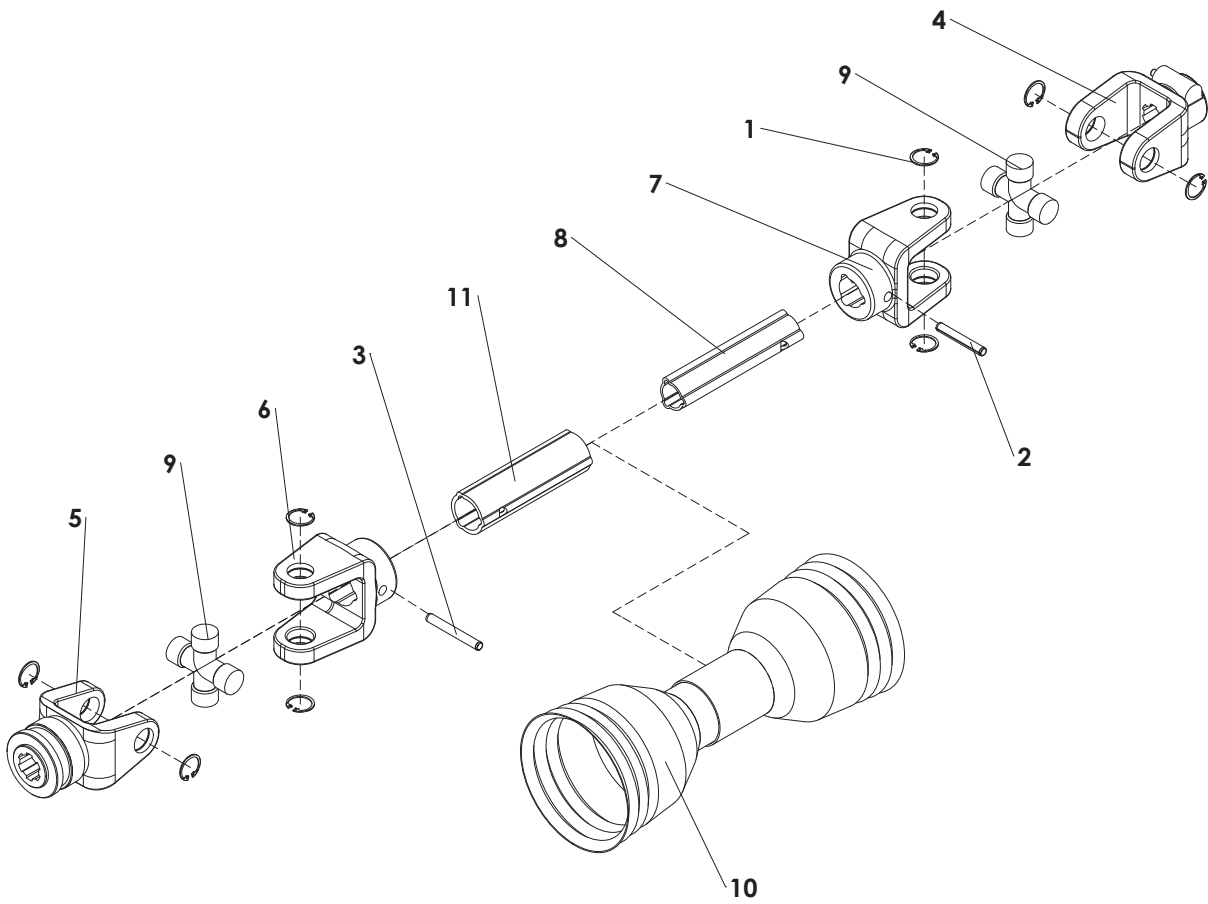


Gearbox oil:
SAE 80W90
1.7ltr (57.5 oz)

ITEM	PART NUMBER	DESCRIPTION	REMARKS	QUA
1	470.066.482	Gearbox support		1
2	537.380.360	Breather 3/8" BSP		1
3	544.175.400	Extension Nipple G3/8 x G3/8, L= 40		1
4	622.190.290	Gearbox T-278A 9.278.008.10 1:1.92		1
5	629.210.192	PTO Cover Comer		1
6	804.080.250	Bolt M8 x 25 - ISO 4017		12
7	804.160.350	Bolt M16 x 35 - ISO 4017		4
8	864.080.024	Large washer M8 - DIN 9021		12
9	864.160.030	Washer M16 - ISO 7089		4
10	866.080.020	Spring Washer M8 - DIN 127		12
11	866.160.020	Spring Washer M16 - DIN 127		4
12	874.170.020	Copper washer 3_8		2
13	110282	PTO Cover		1
14	2991800	PTO Cover		1

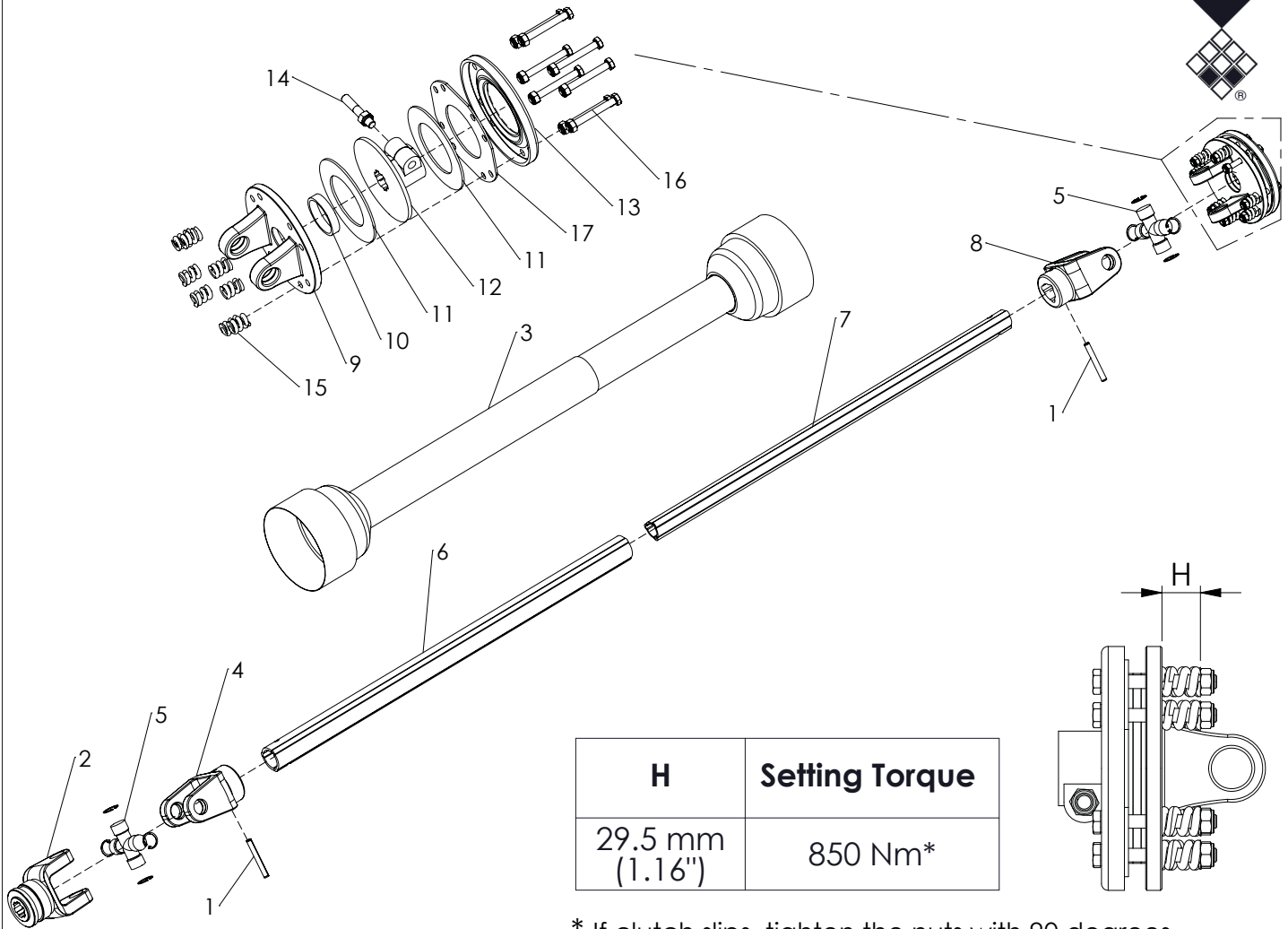


ITEM	PART NUMBER	DESCRIPTION	REMARKS	QUA
1	872.030.120	Circlip D=30 - DIN 472		8
2	151014057	Splined yoke T-40		1
3	151014483	Double yoke T40		1
4	180014130	Cross and 4x circlip kit		2
5	190000582	Ractchet Clutch T40 U34		1
	613.613.560	Complete PTO T40 I=356 SM		



ITEM	PART NUMBER	DESCRIPTION	REMARKS	QUA
1	872.030.120	Circlip D=30 - DIN 472		8
2	19000016	Inner roll pin		1
3	19000018	Outer roll pin		1
4	141026001	Push pin yoke type 60		1
5	141026544	Complete collar yoke type 60		1
6	151016028	Outer tube yoke type 60		1
7	151016029	Inner tube yoke type 60		1
8	159160898	T60-series Inner tube L=185mm		1
9	180016130	Cross and 4x circlip kit		2
10	1422603029630	Complete guard 60-series L=465		1
11	1521605857800	T60-series Outer tube L=170		1
	613.805.900	Complete PTO T60 L=590 SM		

Brand PTO: Benzi



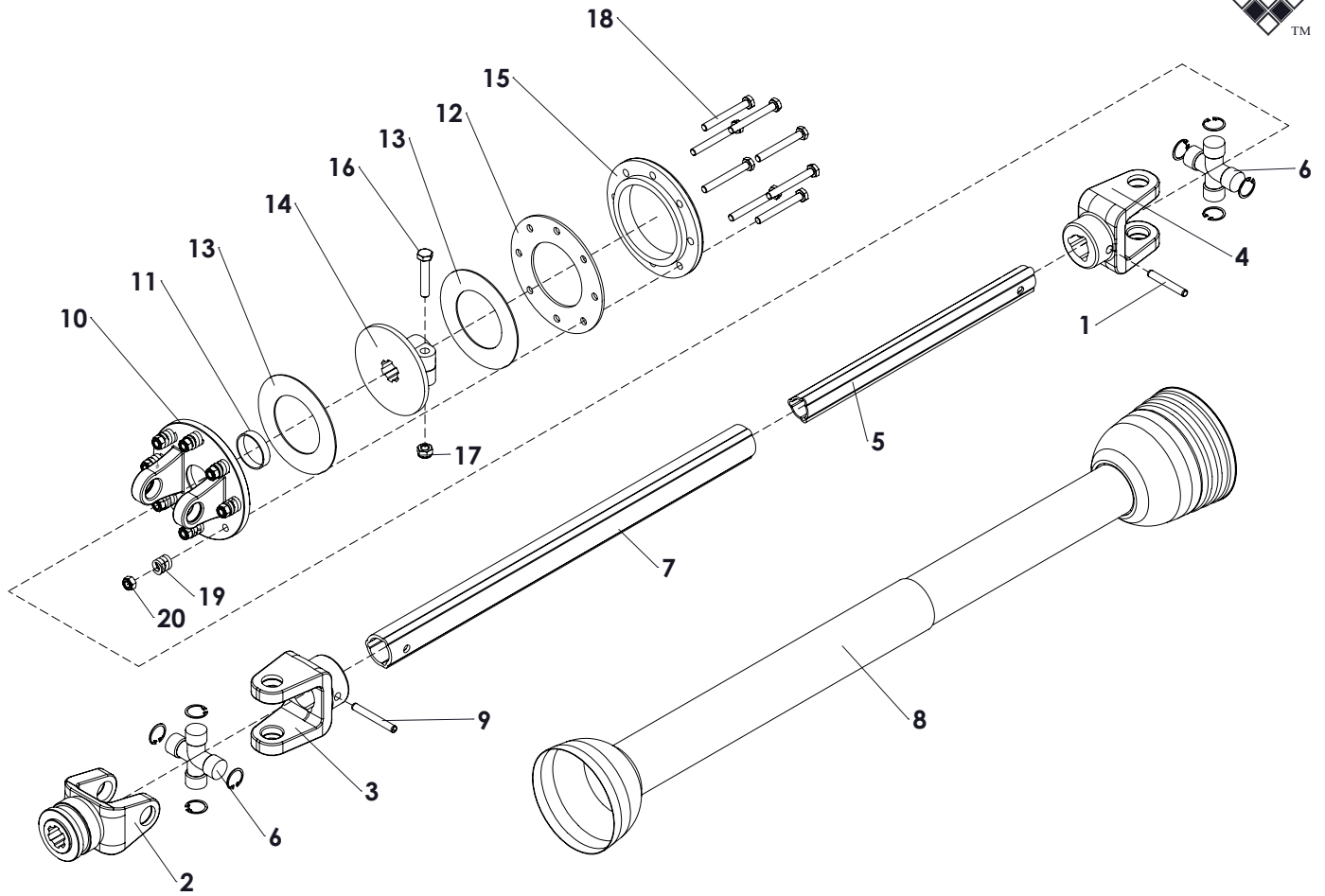
H	Setting Torque
29.5 mm (1.16")	850 Nm*

* If clutch slips, tighten the nuts with 90 degrees at a time to a maximum of 28.5mm (1.12") = +200Nm

ALWAYS deburr parts when cut
MEASURE correct length of PTO first
MAINTAIN slipclutch every month
NEVER USE PTO over 30 degrees
SLIPCLUTCH always on machine side

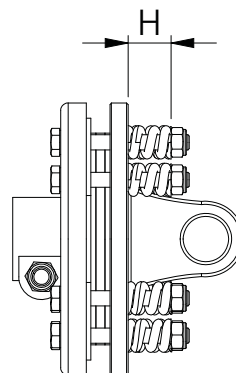
ITEM	PART NUMBER	DESCRIPTION	REMARKS	QUA
1	19000018	Outer roll pin		2
2	BEN PT140119	End yoke with quick lock		1
3	BEN PT143249	Safety guard group	Cut to correct length	1
4	BEN PT143666	Outer tube yoke		1
5	BEN PT151242	Universal joint assembled		2
6	BEN PT154926	Tubing cut to size	Cut to correct length	1
7	BEN PT157727	Tubing cut to size	Cut to correct length	1
8	BEN PT158836	Inner tube yoke		1
9	BEN F1B06	Flange yoke		1
10	BEN F060	Bush		1
11	BEN F030/S	Lining ring		2
12	BEN F138	Hub		1
13	BEN F1180	Pressure plate		1
14	BEN 90938	Conic bolt and nut		1
15	BEN F0110	Spring		8
16	BEN F10085	Bolt and nut		8
17	BEN F070	Inner plate		1
	611.601.202	PTO T-60 torque 850 Nm		

Brand PTO: Comer



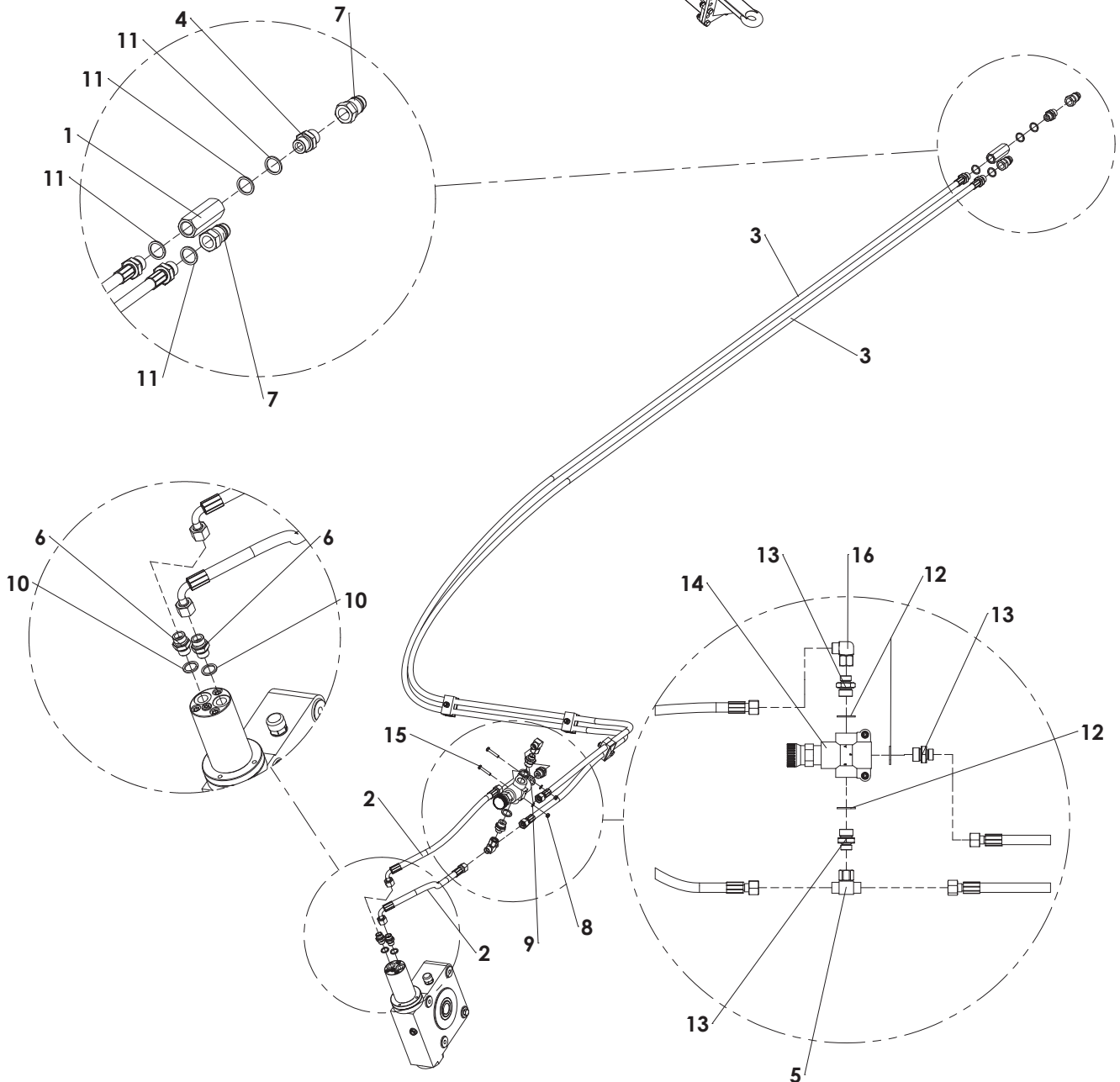
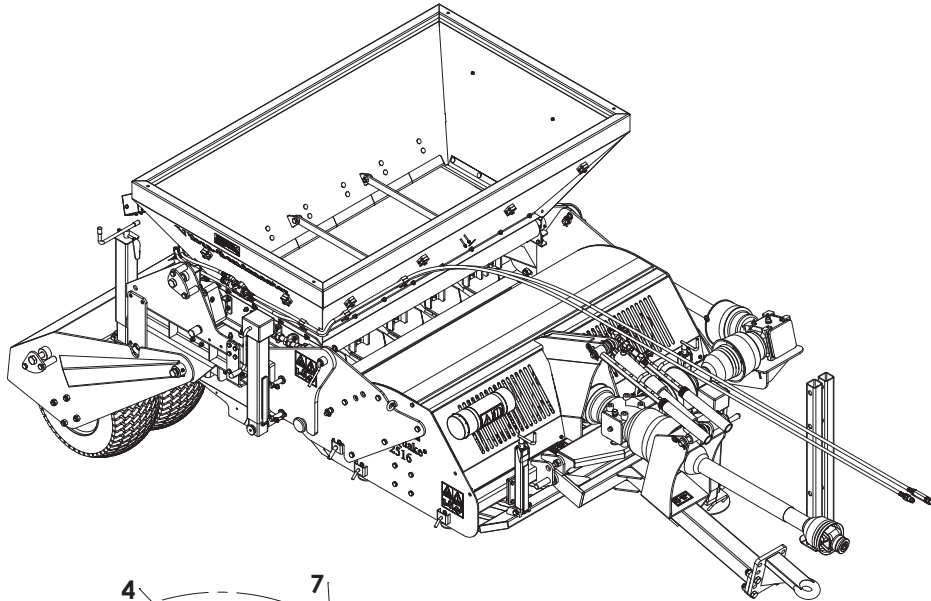
H	Setting Torque
29.5 mm (1.16")	850 Nm*

* If clutch slips, tighten the nuts with 90 degrees at a time to a maximum of 28.5mm (1.12") = +200Nm

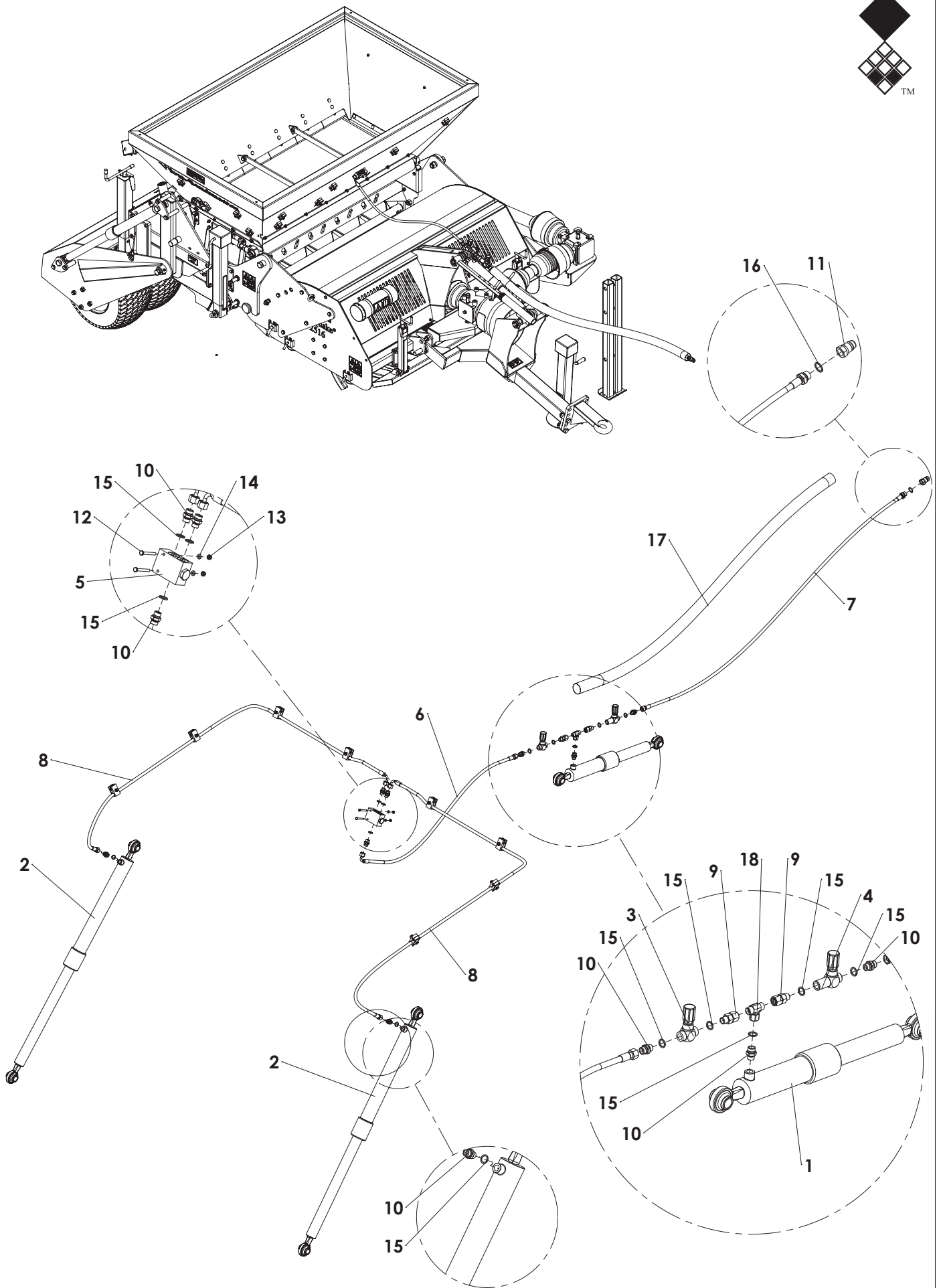


ALWAYS deburr parts when cut
MEASURE correct length of PTO first
MAINTAIN slipclutch every month
NEVER USE PTO over 30 degrees
SLIPCLUTCH always on machine side

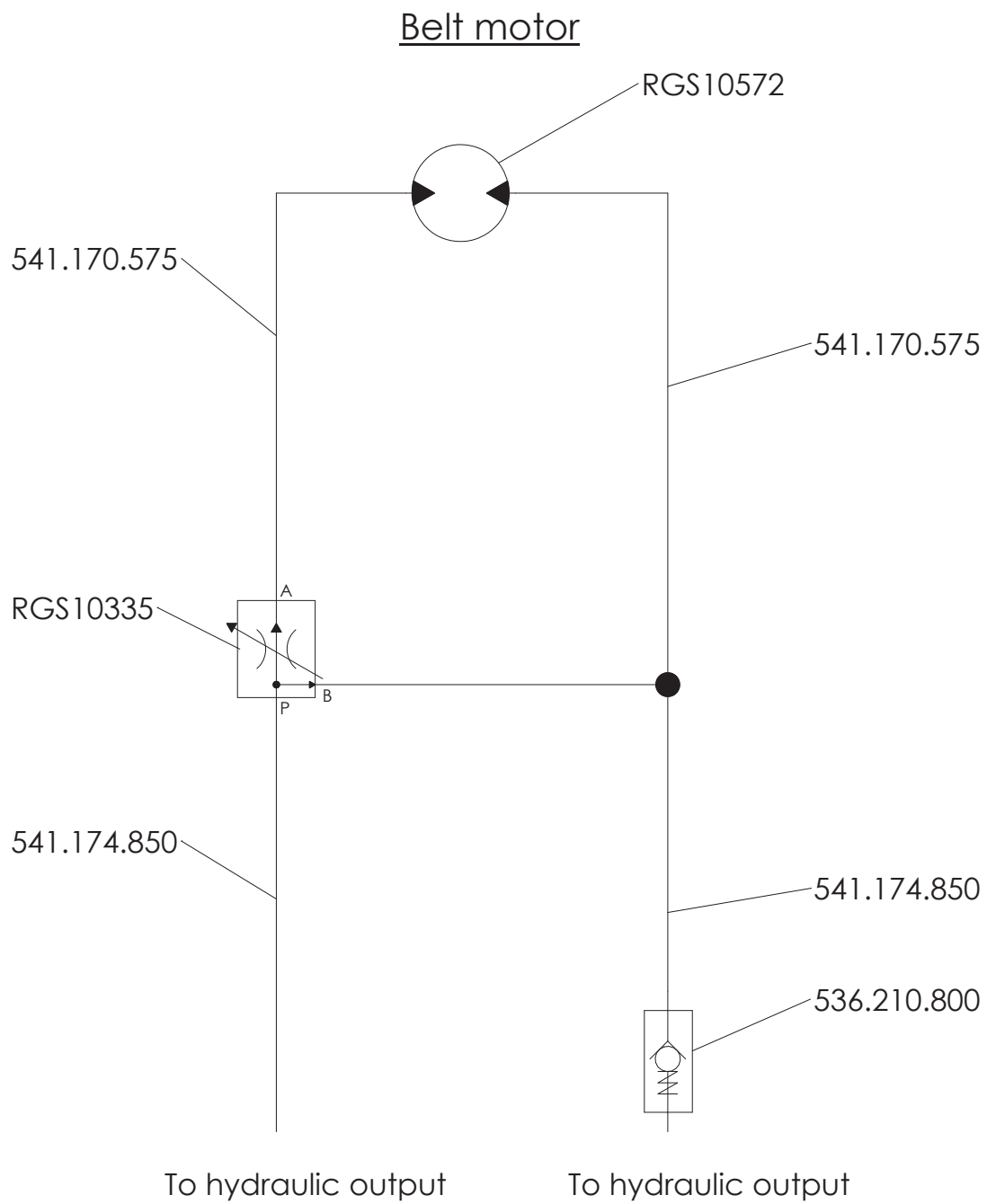
ITEM	PART NUMBER	DESCRIPTION	REMARKS	QUA
1	19000016	Inner roll pin		1
2	141026544	Complete collar yoke type 60		1
3	151016028	Outer tube yoke type 60		1
4	151016029	Inner tube yoke type 60		1
5	152160114	T60-series Inner tube		1
6	180016130	Cross and 4x circlip kit		2
7	152160214	T60-series Outer tube		1
8	1422600097930	Complete guard 60-series		1
9	19000018	Outer roll pin		1
10	151016039	Flanged yoke T60		1
11	180015020	Bush		1
12	180019014	Inner plate		1
13	180015019	Lining ring		2
14	151015018	Hub T60		1
15	180015021	Pressure plate		1
16	802.120.650	Bolt M12 x 65 - ISO 4014		1
17	830.120.120	Self Lock Nut M12 - ISO 10511 Class 10		1
18	165000549	Bolt M10 x 85 - ISO 4014		8
19	180014022	Spring		8
20	830.100.100	Self Lock Nut M10 - ISO 10511		8
	611.601.204	PTO T60 Torque 850Nm		



ITEM	PART NUMBER	DESCRIPTION	REMARKS	QUA
1	536.210.800	SL Non-Return Valve 1/2", 0.5 bar		1
2	541.170.575	Hose NSK10-3/8"L=575 PGLO101890 + PGLO1018		2
3	541.174.850	Hose NSK10-3/8"L=4850 PGLO101890 + PN108		2
4	543.210.210	Nipple BSP 1_2" x 1_2" 60deg		1
5	544.124.126	T_-Connector PM, Pipe 12-M18		1
6	544.170.120	Nipple BSP 3_8" x pipe 12 (M18)		2
7	545.210.800	Quick connector male 1/2"		2
8	830.060.060	Self Lock Nut M6 - ISO 10511		2
9	864.060.030	Washer M6 - ISO 7089		2
10	874.170.020	Copper washer 3_8		2
11	874.210.020	Copper washer 1_2		4
12	874.220.020	Copper washer M22		3
13	544.121.270	Nipple M22 x pipe 12 (M18)		3
14	RGS 10335	Regulator 12L		1
15	802.201.000	Bolt M6 x 35 - ISO 4014		2
16	544.123.180	L-Connector PM. Pipe 12-M18		1

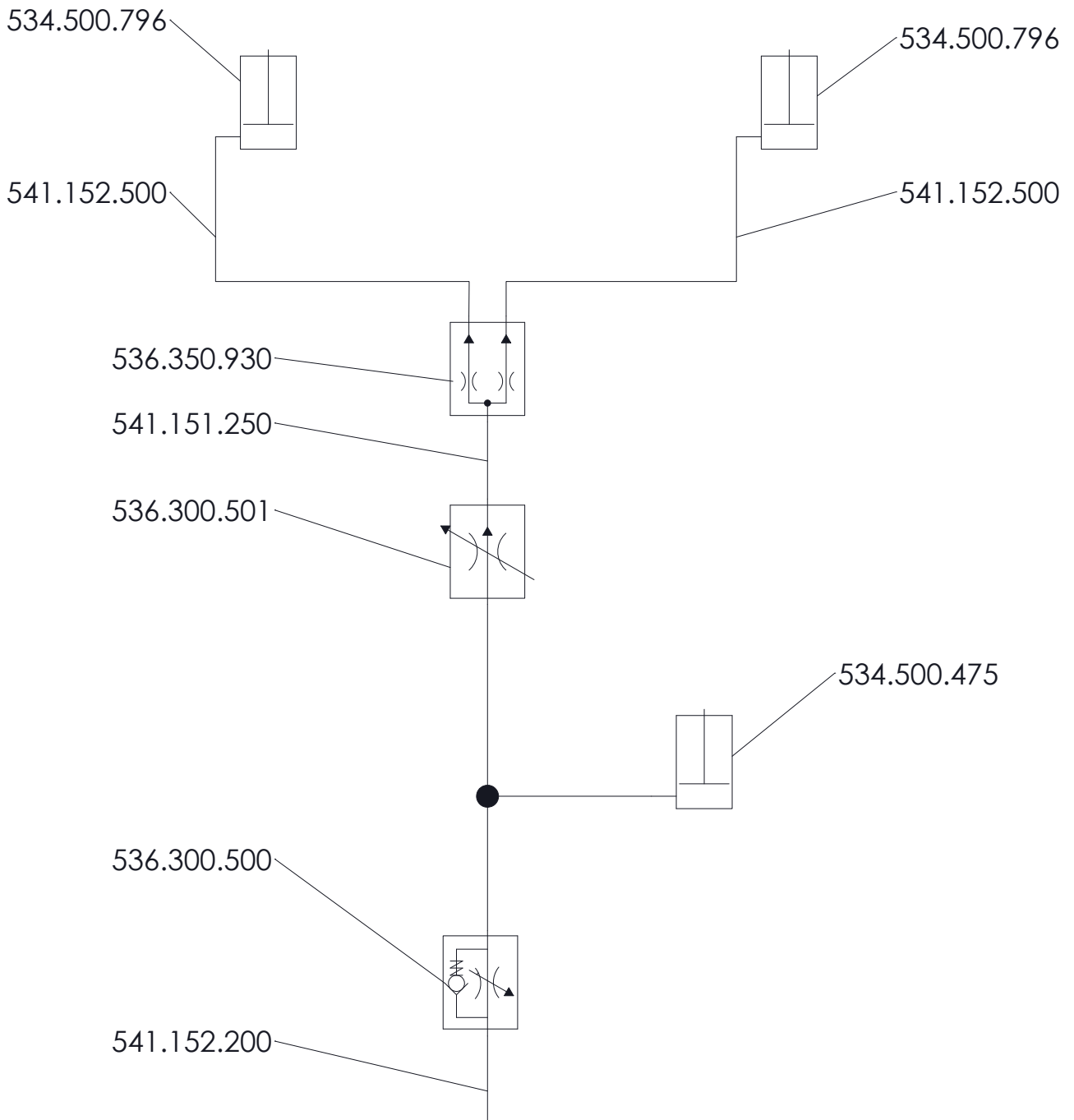


ITEM	PART NUMBER	DESCRIPTION	REMARKS	QUA
1	534.500.475	Hydraulic cylinder Ø50 stroke=200 L0=475		1
2	534.500.796	Hydraulic cylinder Ø50 stroke=500 L0=796		2
3	536.300.500	Flow reducal manual 3/8"		1
4	536.300.500	Flow reducer 3/8" FPU05001		1
5	536.350.930	Flow divider CP3401001 A06		1
6	541.151.250	Hose NSK8-5/16"L=1250 PGLO81890 + PGLO818		1
7	541.152.200	Hose NSK8-5/16"L=2200 PGLO818 + PN88		1
8	541.152.500	Hose NSK8-5/16" L=2500 PGLO81890 + PGLO 818		2
9	543.170.122	Joint Connector Straight 3/8" x Ø12 Prem.		2
10	544.170.120	Nipple BSP 3_8" x pipe 12 (M18)		8
11	545.210.800	Quick connector male 1/2"		1
12	802.060.500	Bolt M6 x 50 - ISO 4014		2
13	830.060.060	Self Lock Nut M6 - ISO 10511		2
14	864.060.030	Washer M6 - ISO 7089		2
15	874.170.020	Copper washer 3_8		10
16	874.210.020	Copper washer 1_2		1
17	541.501.800	Protection hose 2" L=1800mm		1
18	544.124.126	T_-Connector PM, Pipe 12-M18		1



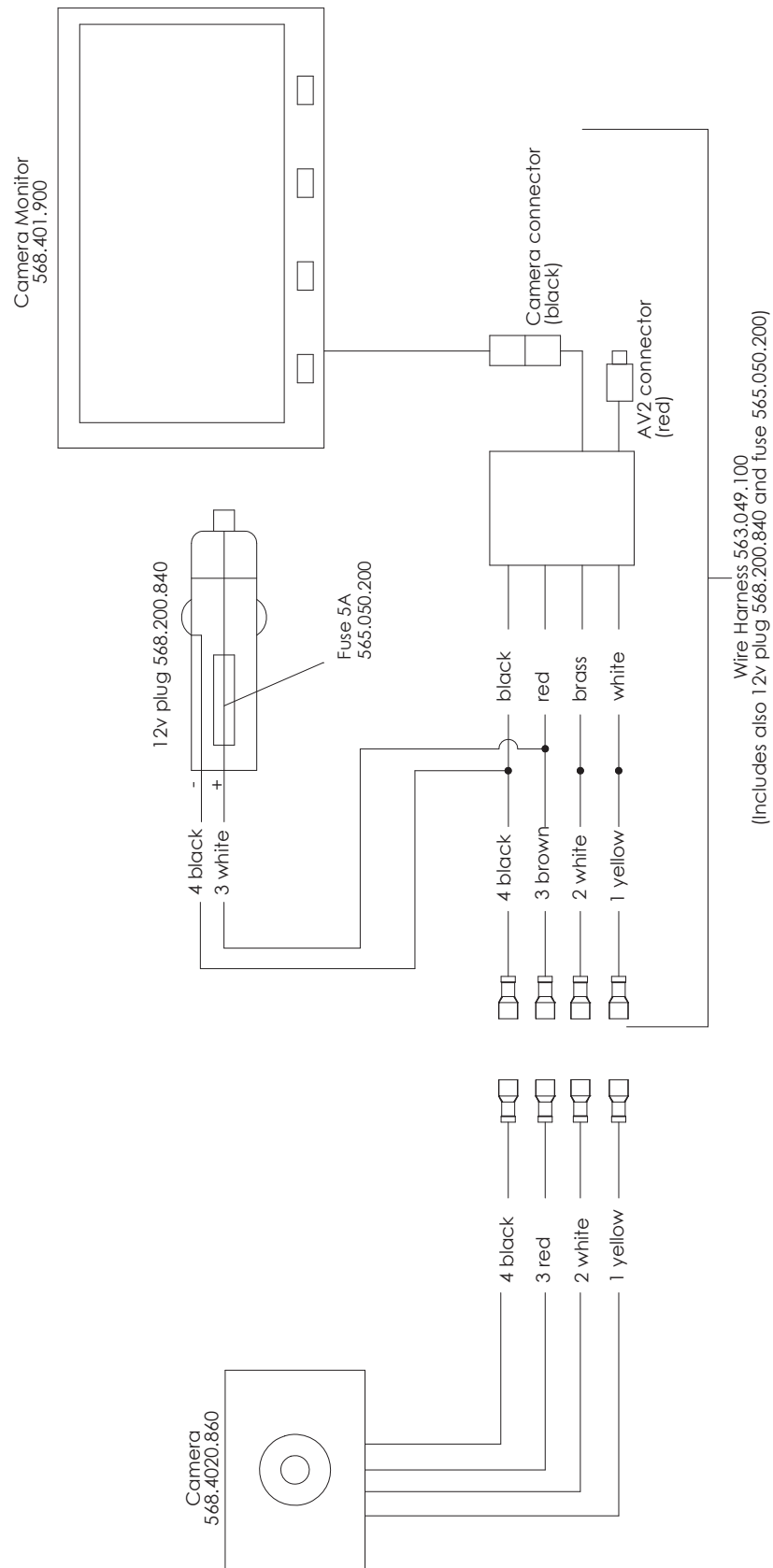


Cylinders



To hydraulic output

Electric scheme

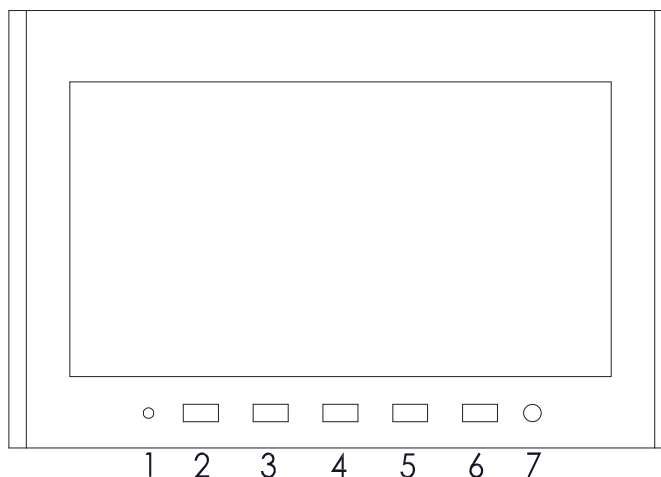




CAMERA / DISPLAY INSTRUCTIONS

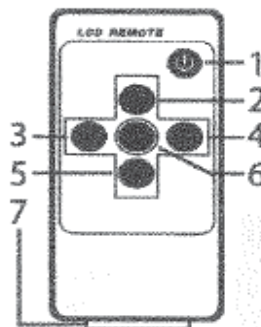
DISPLAY

1. Remote controll
2. On/Off
3. AV1/AV2 change
4. Volume decrease
5. Volume increase
6. Menu
7. Headset



REMOTE CONTROL

1. On/Off
2. AV1/AV2 change
3. Volume decrease
4. Volume increase
5. Menu
6. Headset
7. Battery compartment



DISPLAY TECHNICAL SPECIFICATION

- Screen: 7" digital TFT-LCD
- Resolution: 480x234 RGB
- Supported systems: PAL/NTSC
- Two video input (V1/V2)
- Power supply: DC12V
- Visible area: 154x86 mm
- Operational temperature: -20°C — +70°C+

REAR CAMERA TECHNICAL SPECIFICATION

- Camera type: CMOS
- Power supply: DC12V
- Performance: < 1 W
- Effective resolution: 580 x 492
- Minimal brightness: 1 Lux
- Viewing angle: 170°
- Supported systems: PAL/NTSC
- Video output: 75 Ohm
- White balance: automatic
- Operational temperature: -30°C — +70°C